

Consultant:

Revision:

1 | ADDENDUM 1 | 2015.10.19
2 | REVISION | 2015.11.25

Architect of Record:



Drawn: SEA

Checked: PRR

Scale: AS NOTED

Key Plan:

Project Name:

LORING HOUSE

1125 Brighton Avenue
Portland, ME 04102

Sheet Name:

EPDM Roof Details

Project Number:

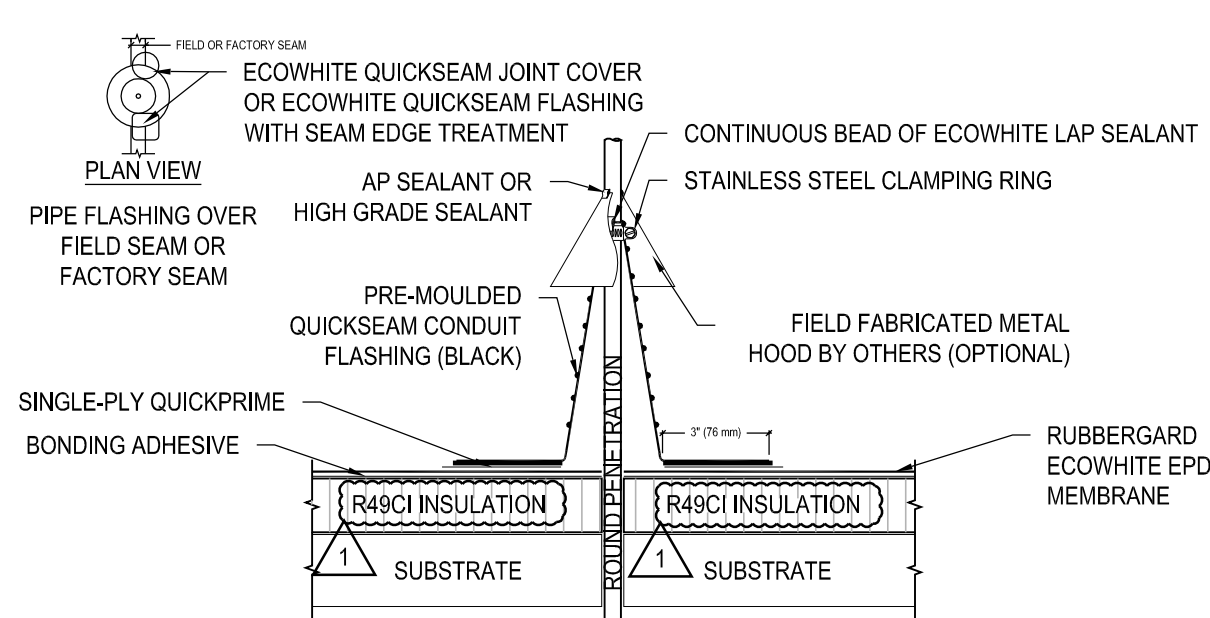
14165

Issue Date:

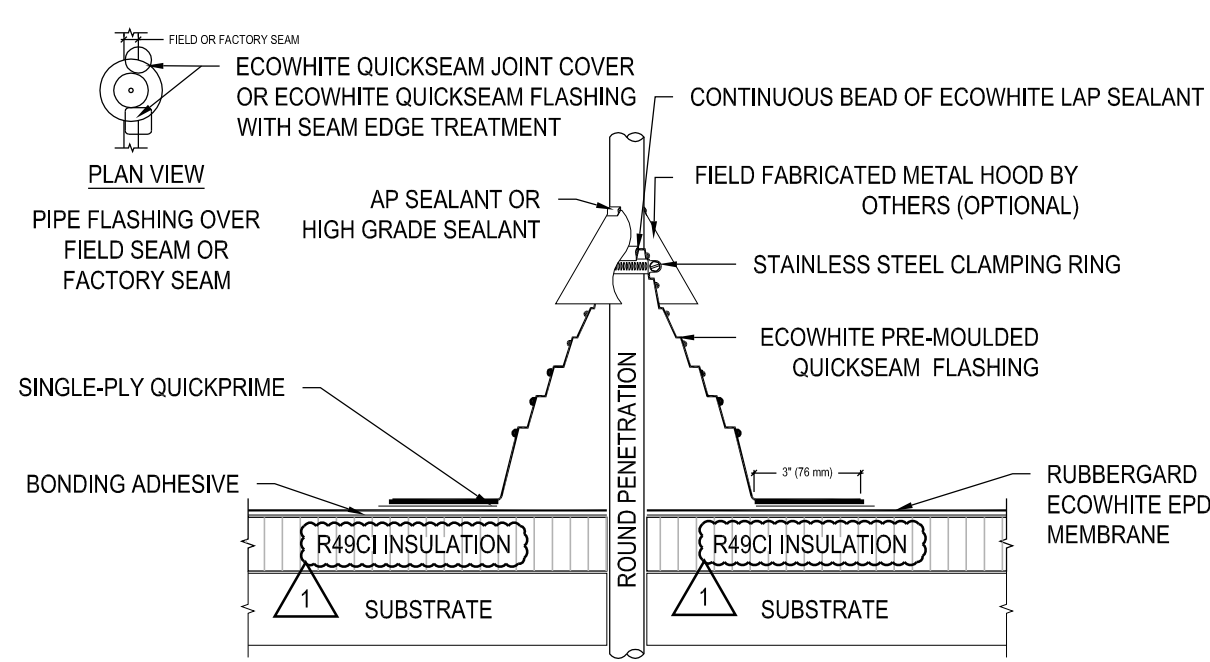
November 25, 2015

Sheet Number:

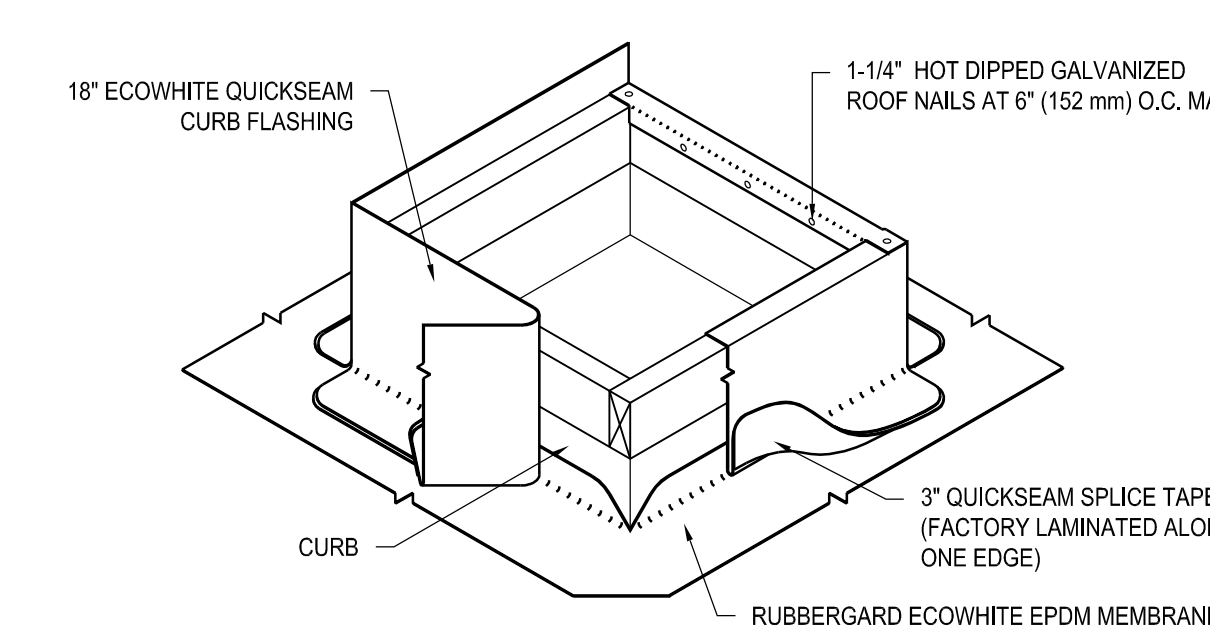
A5.50



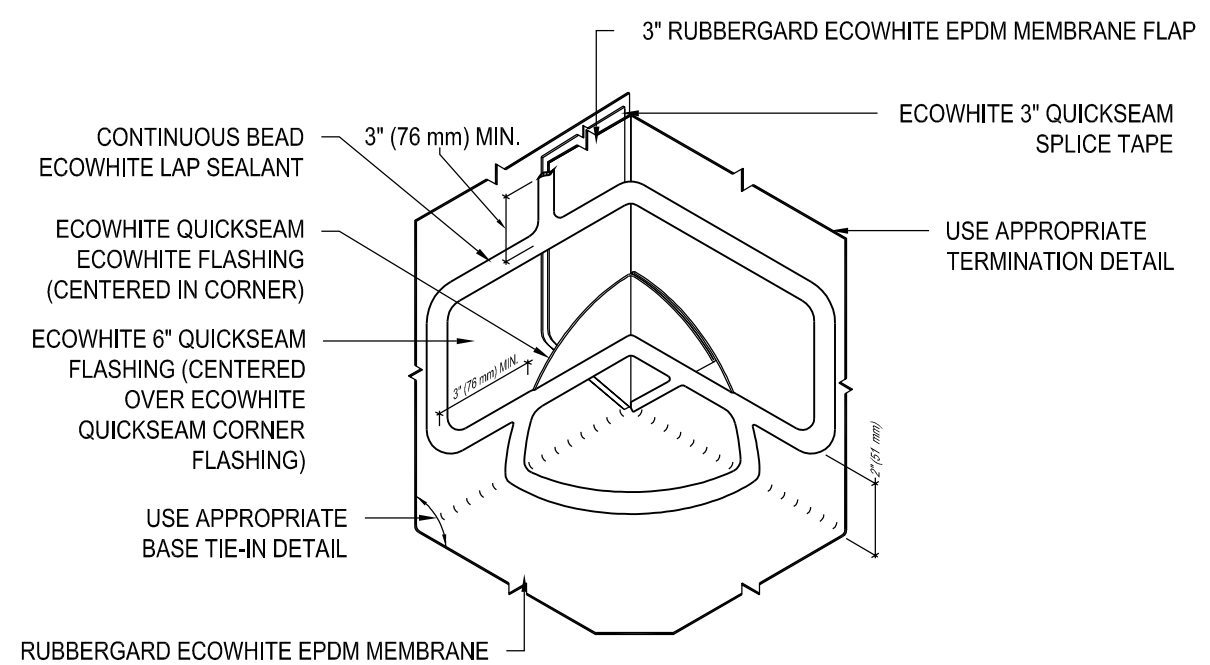
44 PENETRATION WITH QUICKSEAM CONDUIT FLASHING
SCALE: 3" = 1'-0"



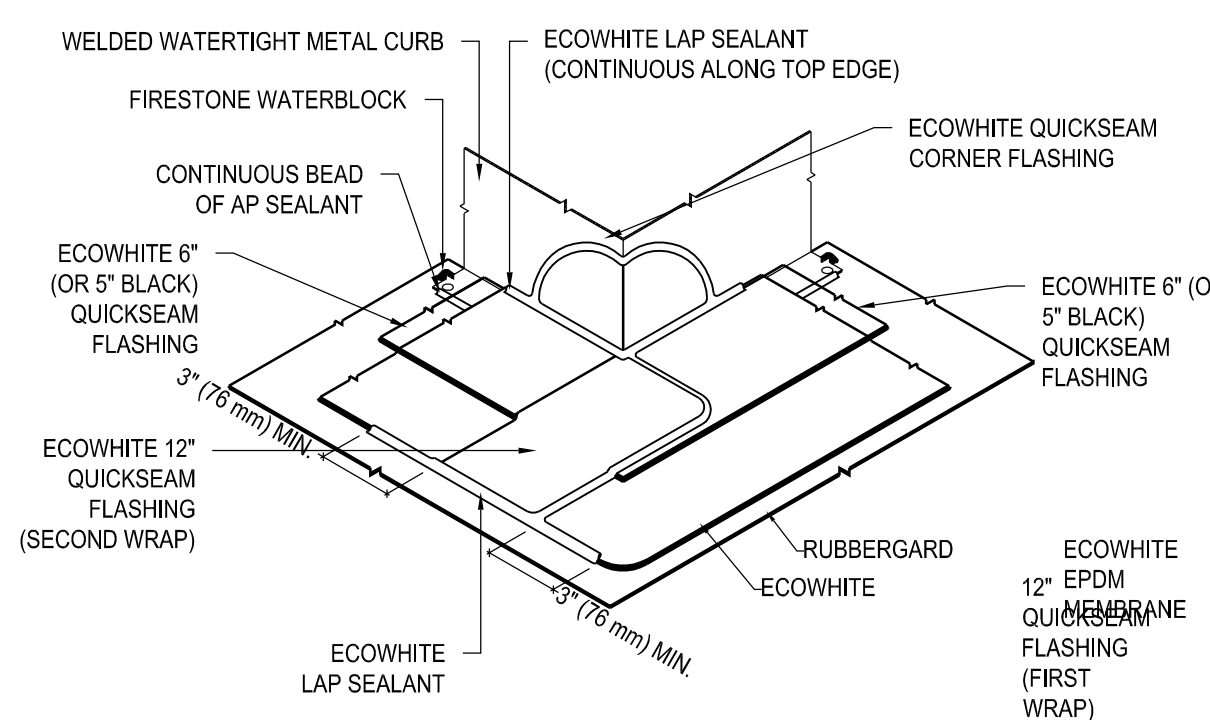
43 PENETRATION WITH ECOWHITE QUICKSEAM PIPE FLASHING
SCALE: 3" = 1'-0"



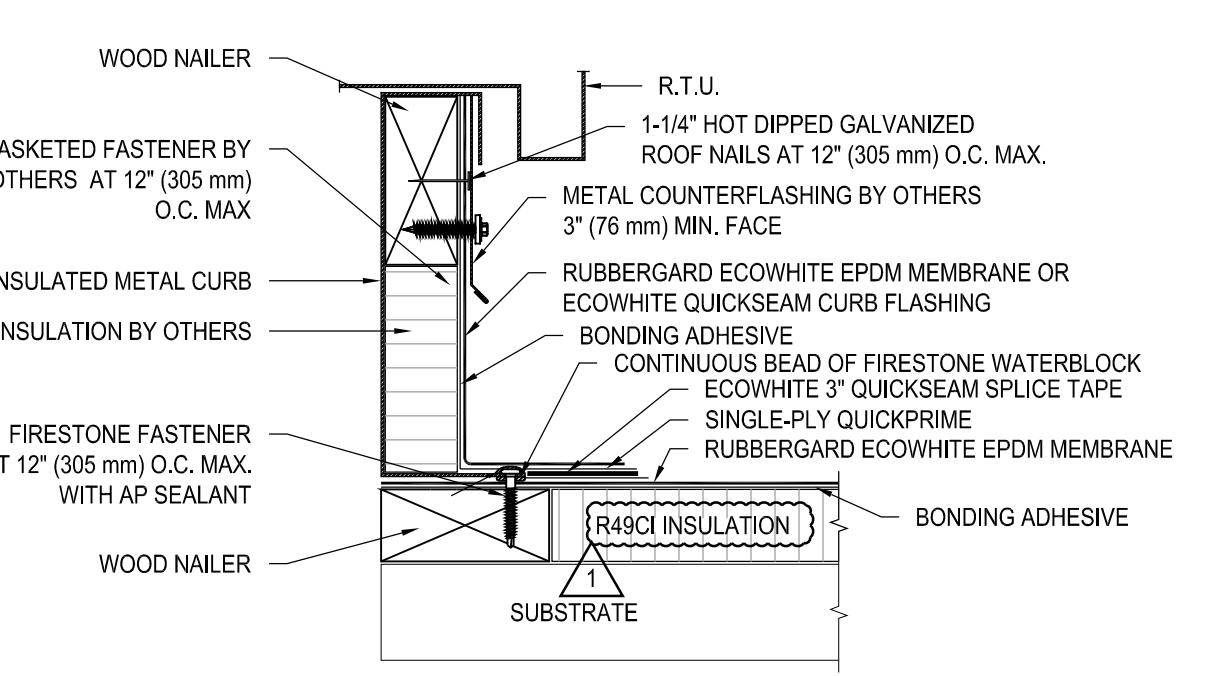
42 CURB FLASHING
SCALE: 3" = 1'-0"



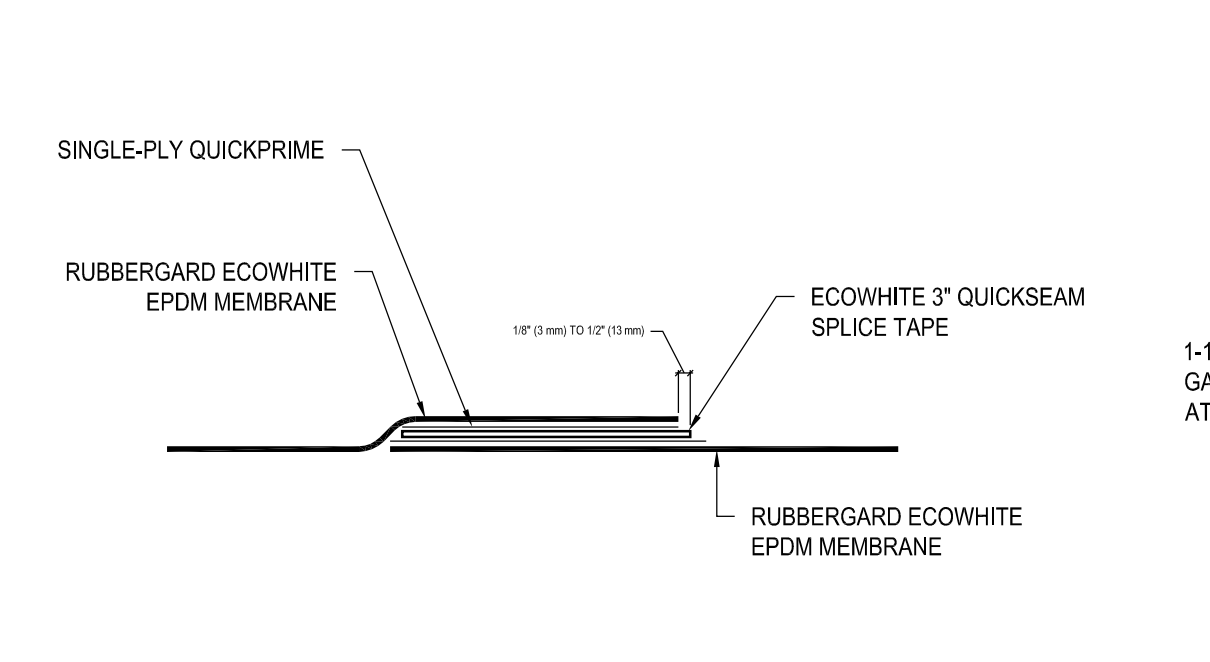
41 INSIDE CORNER WITH 3" FLAP & QUICKSEAM SPLICE TAPE
SCALE: 3" = 1'-0"



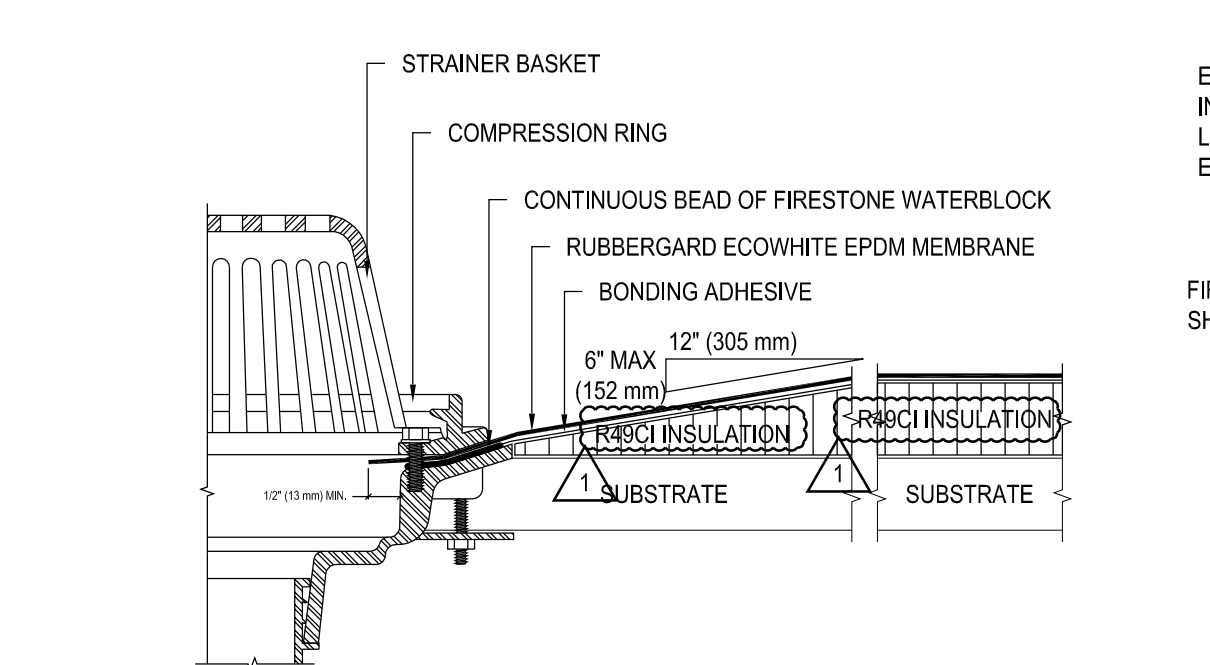
40 OUTSIDE CORNER AT WELDED WATERTIGHT CURB
SCALE: 3" = 1'-0"



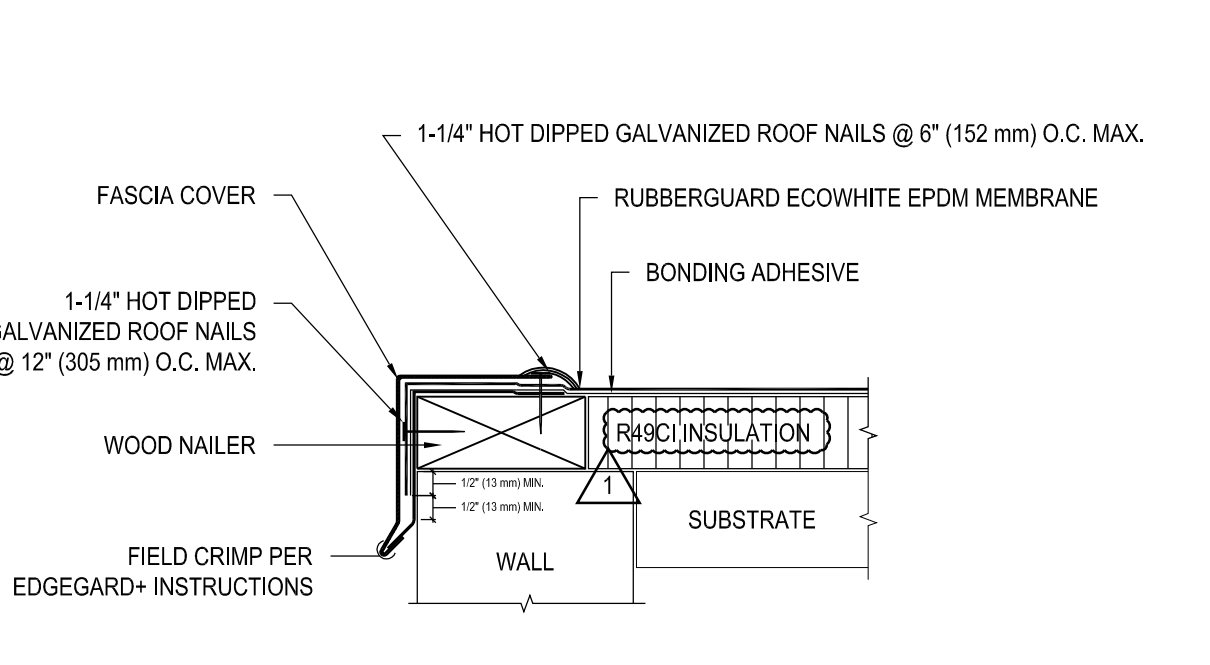
34 TERMINATION AT R.T.U. WITH COUNTERFLASHING
SCALE: 3" = 1'-0" UNIT FLANGE ABOVE MEMBRANE



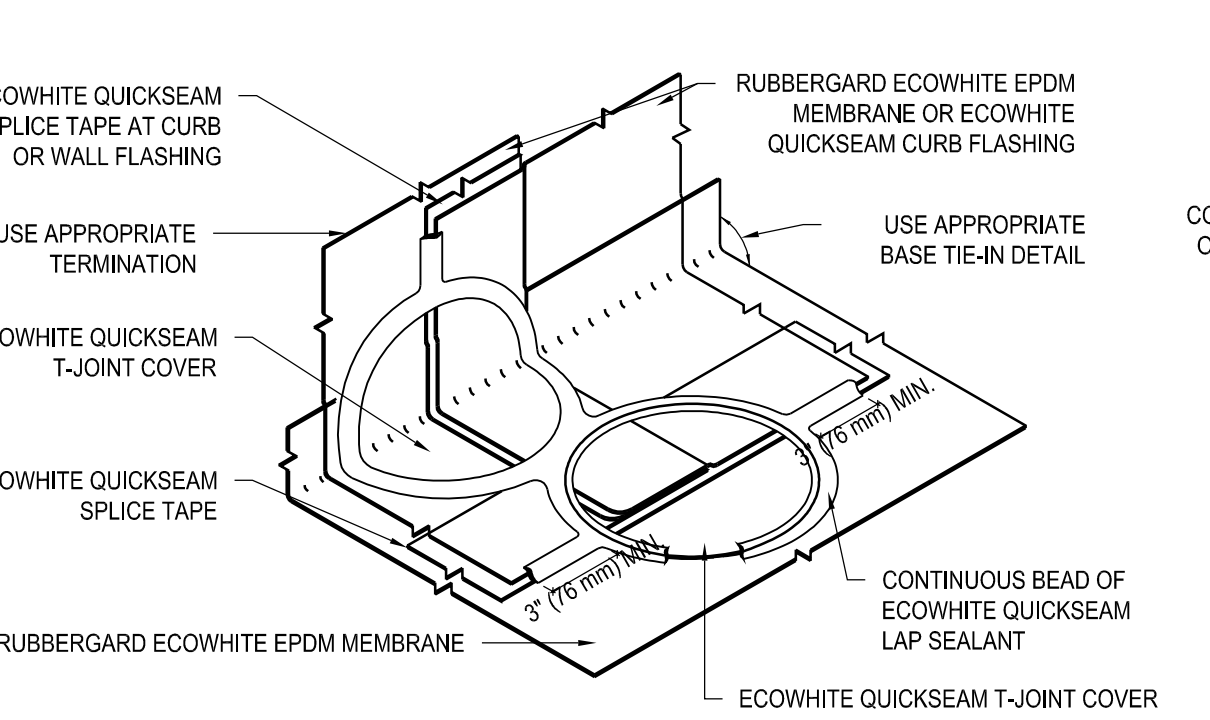
33 LAP SPLICE
SCALE: 3" = 1'-0"



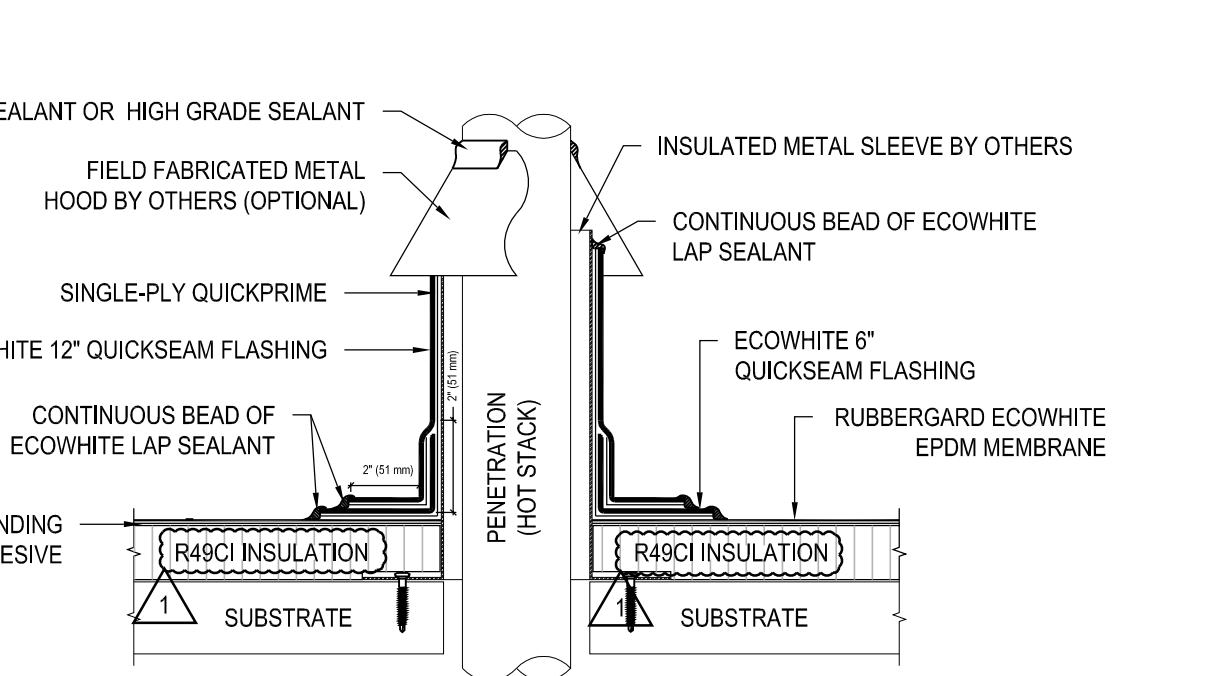
32 ROOF DRAIN
SCALE: 3" = 1'-0"



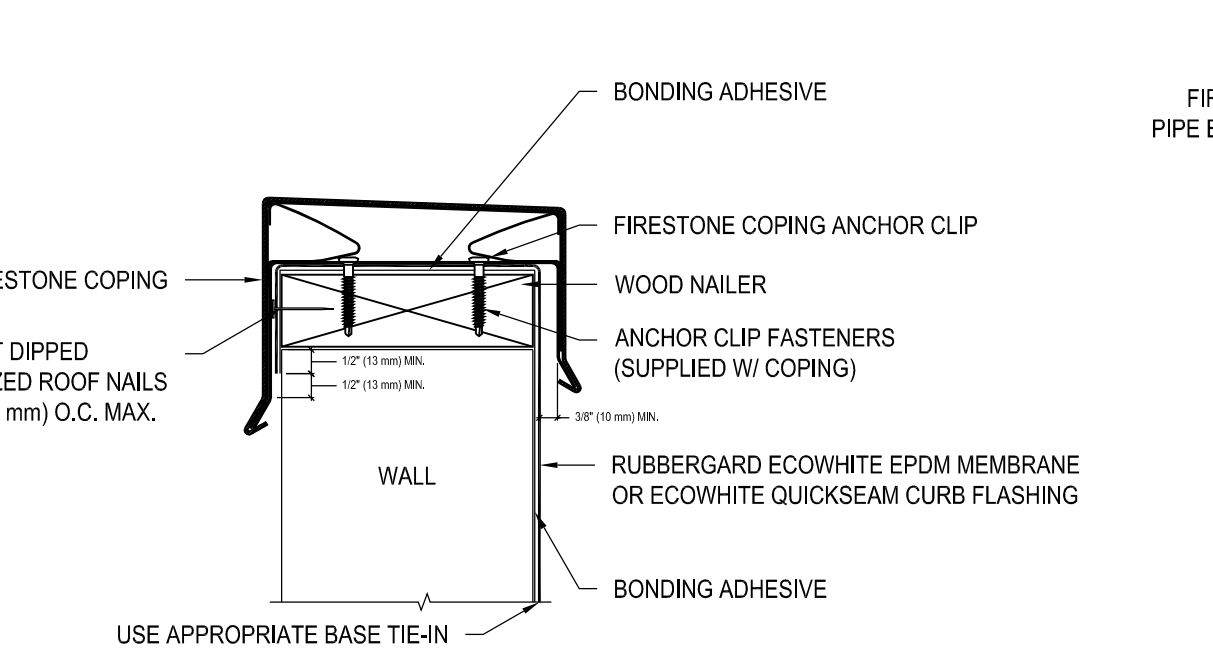
31 ROOF EDGE
SCALE: 3" = 1'-0"



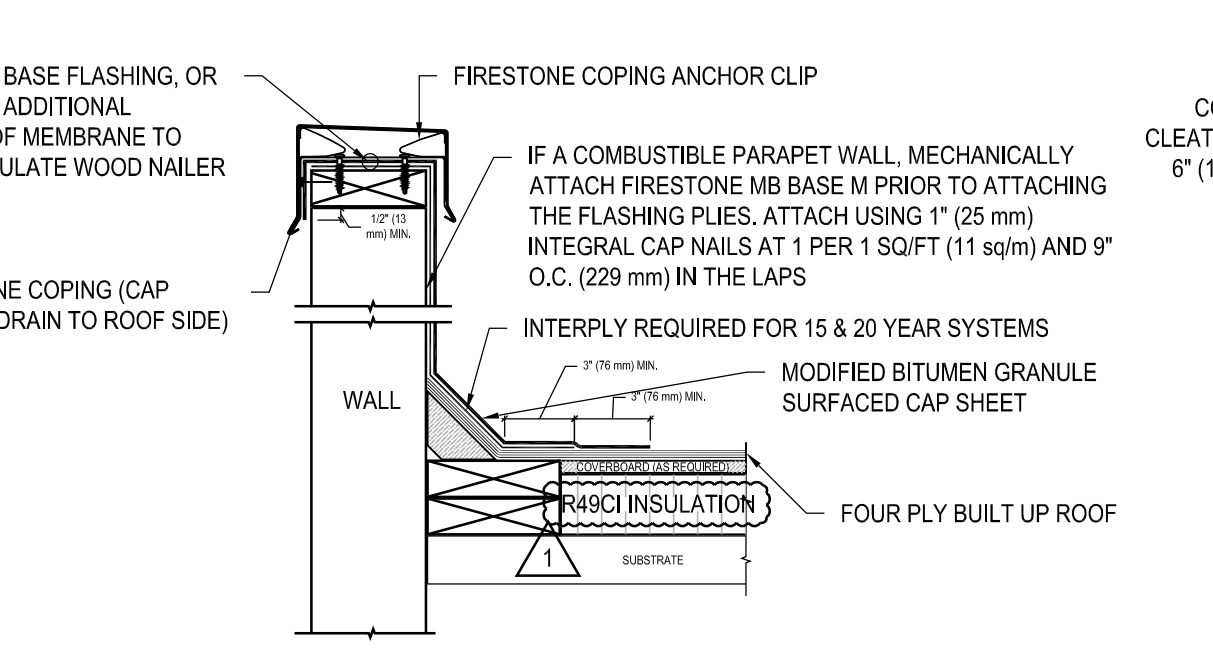
30 LAP SPLICE AT CURB OR WALL FLASHING
SCALE: 3" = 1'-0"



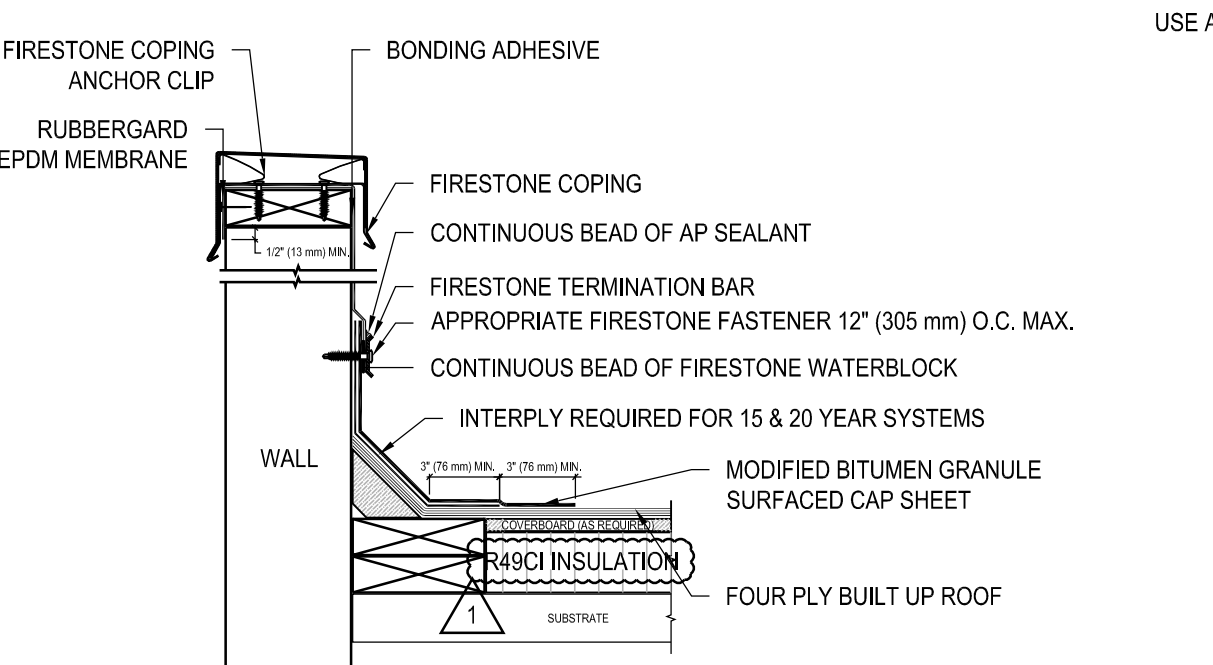
24 PENETRATION (HOT STACK)
SCALE: 3" = 1'-0"



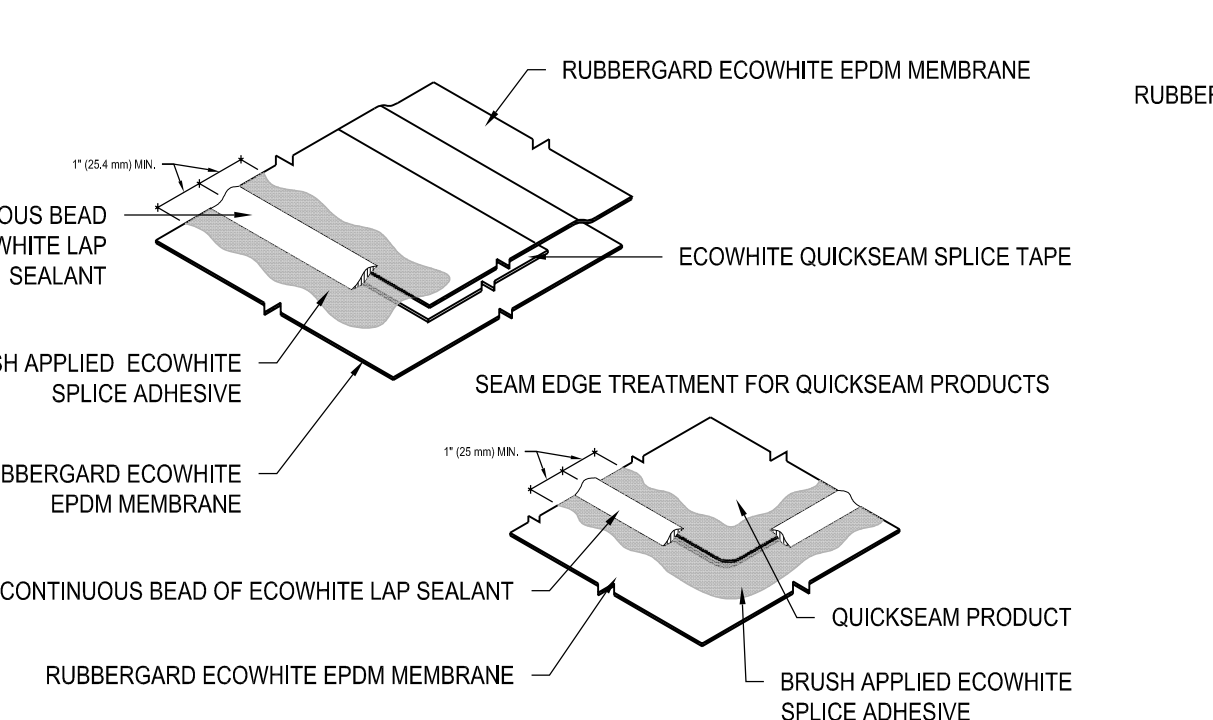
23 TERMINATION AT TOP OF WALL WITH METAL COPING
SCALE: 3" = 1'-0"



22 METAL PARAPET CAP (COPING) AND BASE FLASHING
SCALE: 3" = 1'-0"



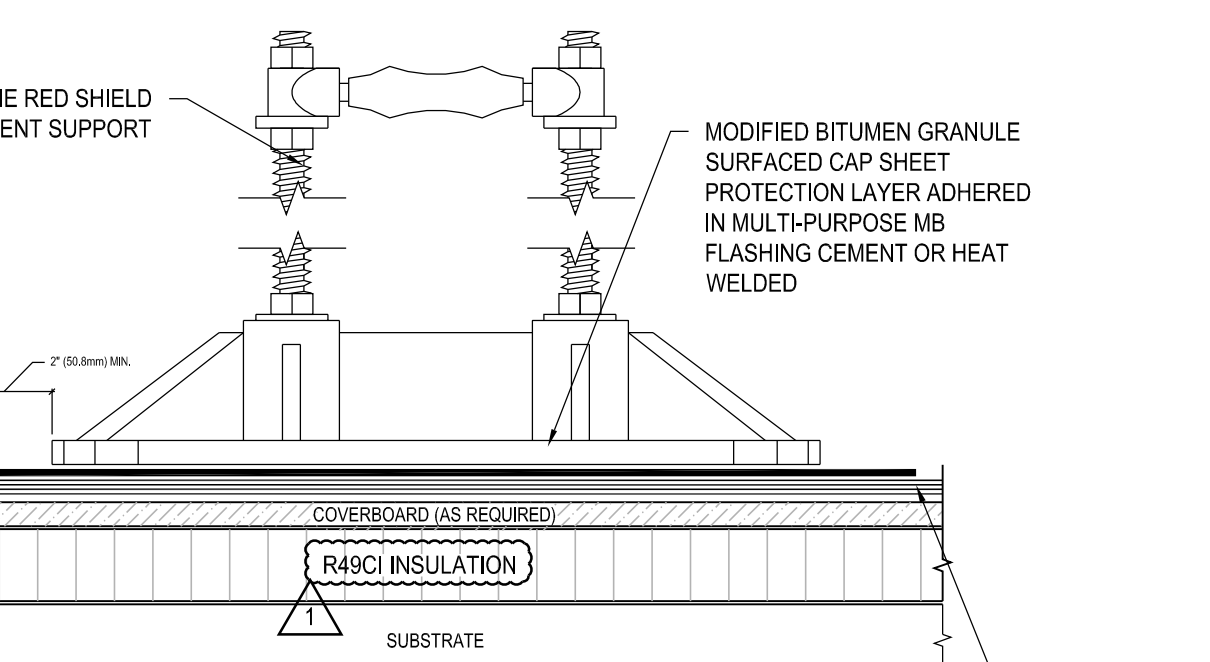
21 CURB/WALL FLASHING USING RUBBERGUARD MEMBRANE
SCALE: 3" = 1'-0"



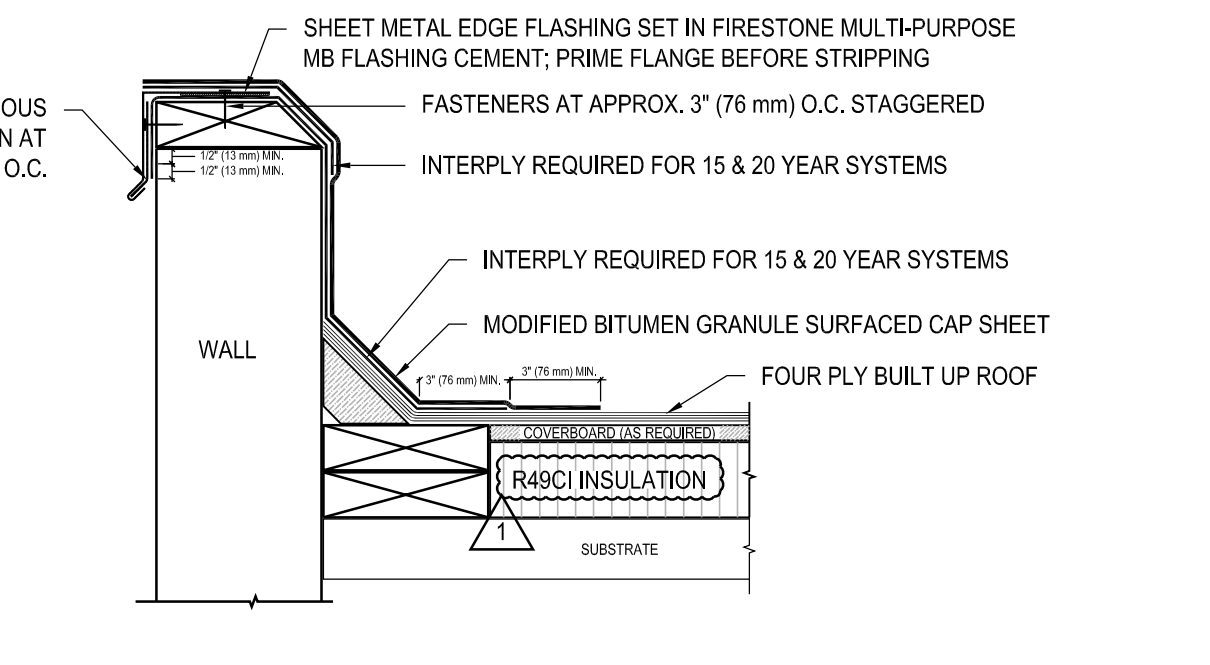
20 SEAM EDGE TREATMENT APPLICATION
SCALE: 3" = 1'-0"



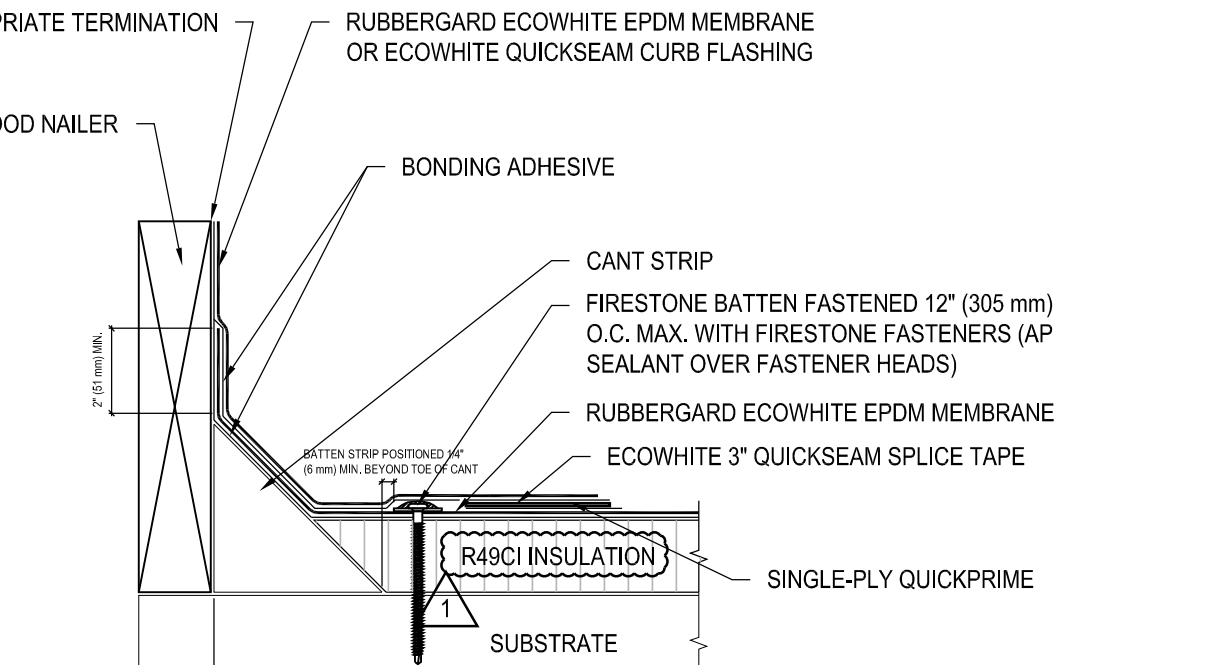
13 RED SHIELD PIPE/EQUIPMENT SUPPORT
SCALE: 3" = 1'-0"



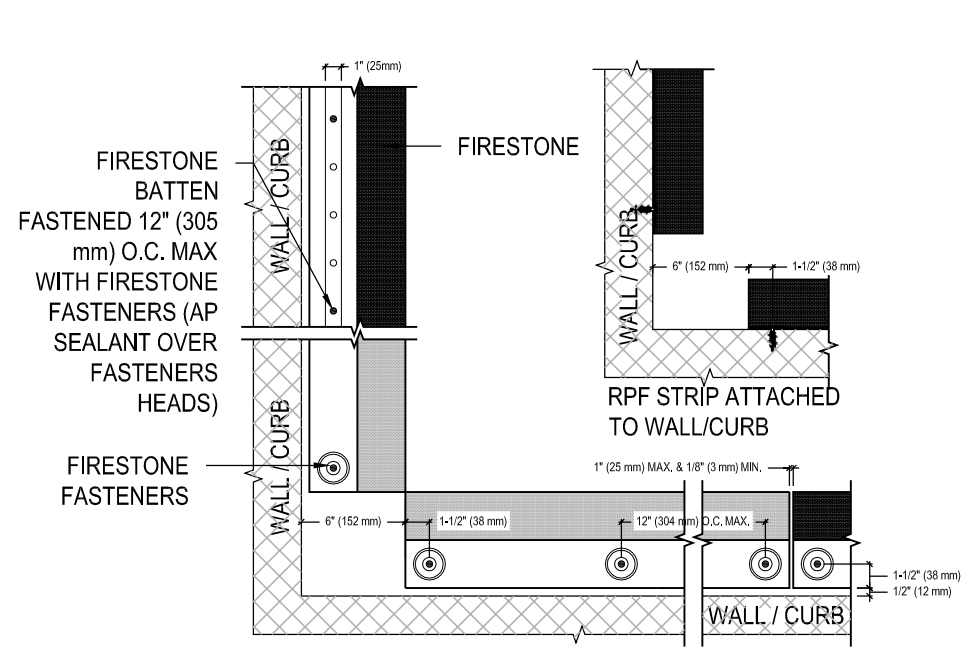
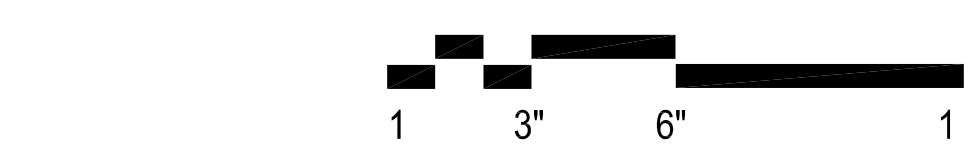
12 BASE TIE-IN WITH ROOF EDGE ON A PARAPET
SCALE: 3" = 1'-0"



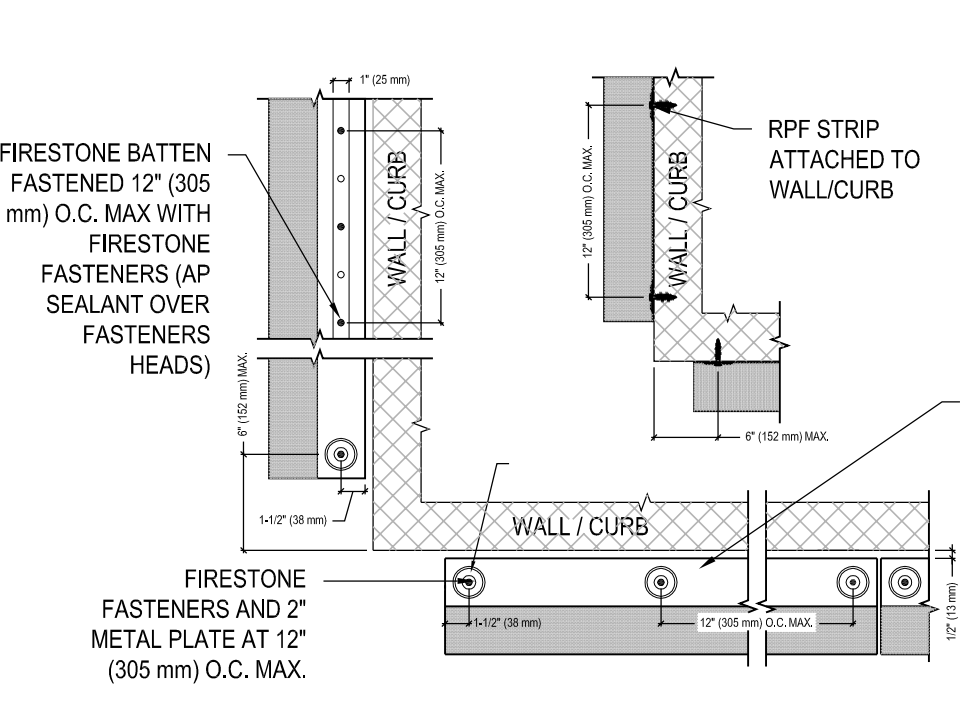
11 BASE TIE-IN AT CURB/PARAPET
SCALE: 3" = 1'-0"



10 BASE TIE-IN
SCALE: 3" = 1'-0"



51 QUICKSEAM RPF LAYOUT AT INSIDE CORNER
SCALE: 3" = 1'-0"



50 QUICKSEAM RPF LAYOUT AT OUTSIDE CORNER
SCALE: 3" = 1'-0"

Monday, November 30, 2015 1:05:33 PM \\litanas\projects\14165_Loring House\Drawings\Working\CAD\Plot Files\A5.50 ROOF DETAILS.dwg