

I hereby certify that this plan, specification, or report was prepared by me or under my direct supervision and that I am a duly registered architect under the laws of the State of Ohio which governs this project. \$40000 per Year No person may alter these documents unless approved by me under the direct supervision of the licensed architect.

Signature: _____
Registration No.: _____
Date: _____

SEAL: _____

Type III Branch
Proposed New Construction
**85 Commercial
Street-Long Warf**
Portland, ME

KeyBank
2025 Ontario St., 4th Floor, Cleveland, Ohio 44115

REVISIONS:

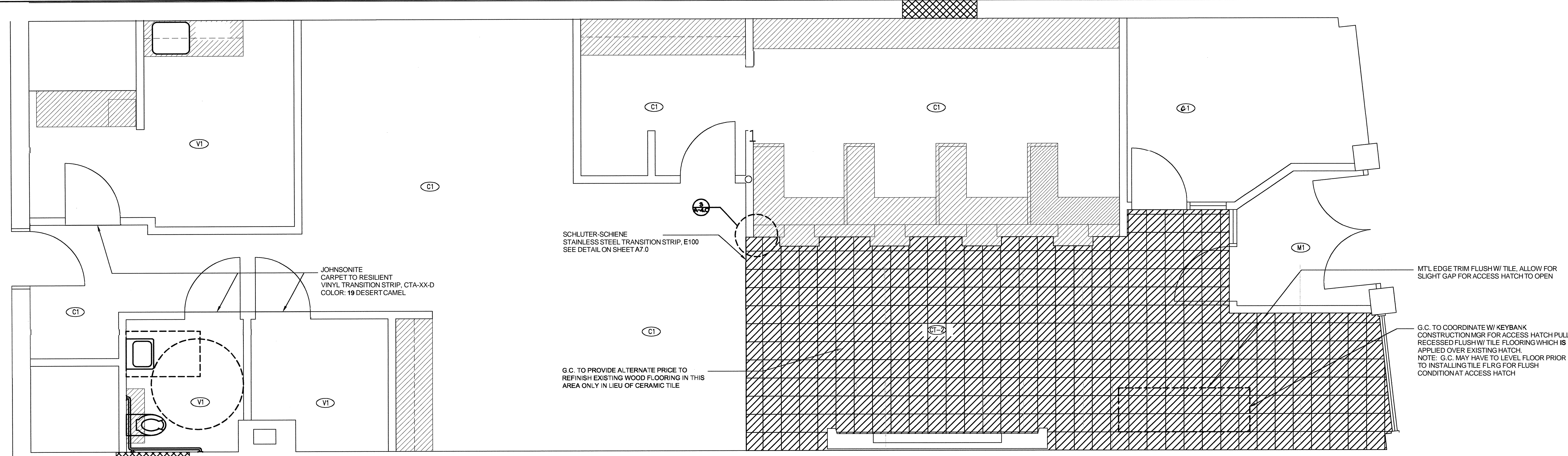
△	Issued for Bid and Permit	8/29/03
△		
△		
△		
△		
△		
△		
△		
△		
△		
△		

Drawn by: **JC**
Checked by: **MJK**
Job Number: **3587-001**

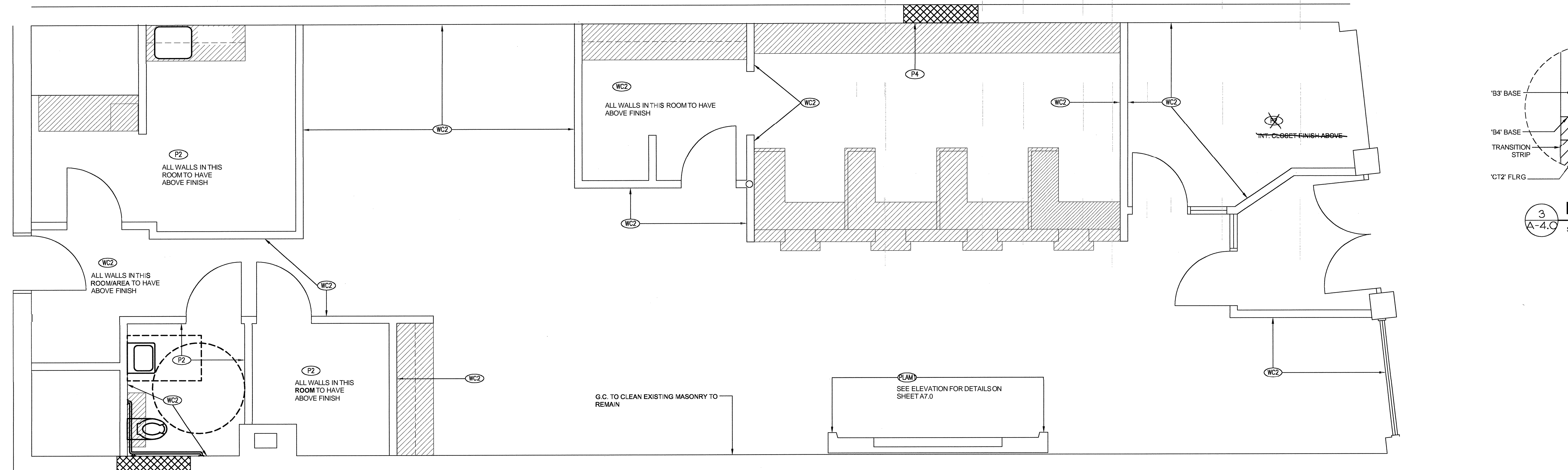
Dwg. Construction Phase: **Documents**

Sheet Title:
Finish/Flooring Plans, Specifications and Legend

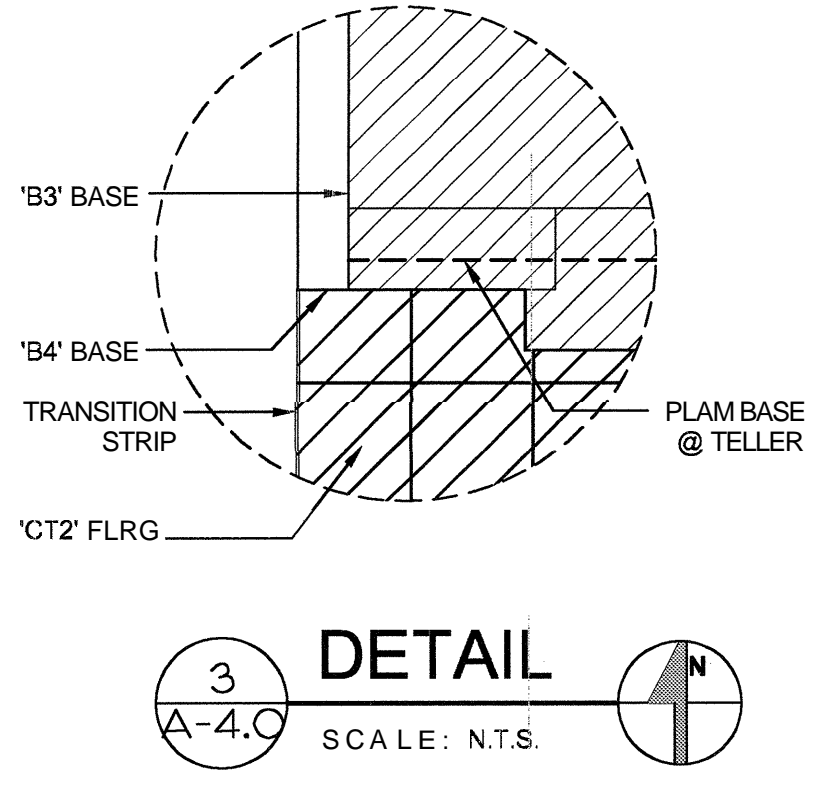
Sheet Number:
A-4.0
Original Date: August 11, 2003



FLOORING PLAN
SCALE: 3/8" = 1'-0"



FINISH PLAN
SCALE: 3/8" = 1'-0"



DETAIL
SCALE: N.T.S.

FINISH SPECIFICATIONS

FINISHES:

GLASS	FIBERGLASS REINFORCED PANELS
G1 CLEAR GLASS TO OFFICE AND MEETING ROOMS. 1/4" TEMPERED GLASS IN NATURAL MILL FINISH ALUMINUM FRAMING SYSTEM.	FRP1 CITADEL ARCHITECTURAL PRODUCTS TEXTURED RFP. COLOR: WHITE. RUN 48" WIDE PANELS HORIZONTALLY & FINISH EDGE W/ PANEL CAP.
G2 1/4" ETCHED AND SEALED TEMPERED GLASS IN ALUMINUM FRAME WITH NATURAL MILL FINISH (OCCURS AT BOTTOM OF WINDOW PANELS)	
PAINT	PLASTIC LAMINATE
P1 SHERWIN WILLIAMS: RAFFIA BASKET 1113 (NOT USED)	PLAM1 PIONITE PLASTIC LAMINATE JEWEL MAHOGANY WY351-F/HH-BRITE (USE ONLY PIONITE P-LAM 1 WITH PIONITE P-LAM 2) OR WILSONART PLASTIC LAMINATE FIGURED MAHOGANY 7040A (USE ONLY WILSONART P-LAM 1 WITH WILSONART P-LAM 2)
P2 BENJAMIN MOORE: MOONLIGHT WHITE 2143-60	PLAM2 PIONITE PLASTIC LAMINATE FORMAL MAHOGANY WY031/SUEDE (USE ONLY PIONITE P-LAM 2 WITH PIONITE P-LAM 1) OR WILSONART PLASTIC LAMINATE WINDSOR MAHOGANY 7039-60 (USE ONLY WILSONART P-LAM 2 WITH WILSONART P-LAM 1)
P4 BENJAMIN MOORE: DEEP ROSE 2004-10	PLAM3 WILSONART PLASTIC LAMINATE NATURAL NEBULA 4633-60
P5 BENJAMIN MOORE: MINK 2112-10 (FOR ALL DOORS AND FRAMES)	VINYL FLOORING
WALL COVERING	V1 ARMSTRONG VINYL FLOORING COLOR: 51805 CAMEL BEIGE STYLE: 12"X12" IMPERIAL TEXTURE/STANDARD EXCELON
WC2 BOLTA WALL SANDSTONE/MLKYWAY/B5-SN37	V2 ARMSTRONG VINYL FLOORING COLOR: 31783 SUNFLOWER "TRANSLATIONS" SHEET VINYL W/ INTEGRAL 6" COVE BASE

CARPET	BASE
C1 BENTLEY CARPET BALANCE-POWER-888600 COLOR: CARAMEL #15 (ROLL STOCK TYPICAL) 12 WEEK LEAD TIME CONTACT: JOYCE/DON CAVIN (740 549 0991)	B1 ALLSTATE 4" RUBBER COVE BASE COLOR: CARAMEL #15 (ROLL STOCK TYPICAL) (TO BE USED WITH V1) OR JOHNSONITE 4" RUBBER COVE BASE COLOR: CAMOMILE #122 (ROLL STOCK TYPICAL) (TO BE USED WITH V1)
	B2 ALLSTATE 4" RUBBER COVE BASE COLOR: #09 (ROLL STOCK TYPICAL) (TO BE USED WITH M1)
	B3 CARPET BASE 4" CARPET BASE TO MATCH C1 (TO BE USED WITH C1)
	B4 PORCELAIN STONE BASE 4" PORCELAIN STONE BASE TO MATCH C2 (TO BE USED WITH C2)

PORCELAIN STONE	WALK-OFF MAT
CT1 CROSSVILLE PORCELAIN STONE A675/STONEHEDGE 12" x 12" GROUT: BOSTIK FINDLEY HYDROMENT GROUTS COLOR: "FLASH WALNUT" #S111/U613 CROSS SHEEN - UPS	M1 AFCCO-USA AMERICAN FLOOR PRODUCTS CO., INC. STYLE: CM-1734 COLOR: CHARCOAL #07 CONTACT: (800) 342-0424
OR CREATIVE MATERIALS CORP. GRANGLIATI ROMAN STONE 12X 12" W/ MATTE FINISH GROUT: BOSTIK FINDLEY HYDROMENT GROUTS COLOR: "FLASH WALNUT" #S111/U613 CONTACT: SCOTT BOCKETTI 518.452.9694	MINI BLIND
CT2 CROSSVILLE PORCELAIN STONE A790/BURGANDY SMOKE 12" x 12" GROUT: BOSTIK FINDLEY HYDROMENT GROUTS COLOR: "FLASH WALNUT" #S111/U613 CROSS SHEEN - UPS	BL1 BALI 1" HORIZONTAL BLINDS (FRAME 1" x 1.5) 1 1/2" ALABASTER FACTORY FINISHED ALUMINUM STAINLESS ROPE CLEATS AT ALL BLIND LOCATIONS SIZE: 4 1/2" FINISH: USZC EDP# 766485
(USE ONLY CREATIVE MATERIAL CORP. CT1 W/ CREATIVE MATERIAL CORP. CT2)	

FINISH NOTES:
1. CARPETED ROOMS TO HAVE 4" CARPET BASE
2. ALL PAINT TO WALLS TO BE AN EGGSHELL FINISH UNLESS OTHERWISE NOTED
3. ALL SAMPLES TO BE PROVIDED TO ARCHITECT FOR APPROVAL
4. SEE ELEVATIONS & DETAILS FOR LAMINATE DESIGNATION OF MILLWORK
5. ATTIC STOCK MATERIAL TO BE STORED ON SHELVING IN NETO ROOM
NOTE: CONTRACTOR SHALL USE THE FOLLOWING ADHESIVES & PRIMERS TO BE USED TO INSTALL "BOLTA SANDSTONE" WALLCOVERING PRIMERS:
1) GIBSON-HOMANS DYNAMITE PROFESSIONAL WALLCOVERING PRIMER #735 HEAVY DUTY ACRYLIC WALLCOVERING PRIMER
2) ROMAN ADHESIVES PROFESSIONAL R-35
3) GOLDEN HARVEST BITE ALL-SURFACE WALLCOVERING PRIMEWSEALER
4) WILLIAM ZINSSER CO. Z-54 WALLCOVERING PRIMER
ADHESIVES (CLAY BASED ONLY AND DO NOT WATER
1) ROMAN ADHESIVES EXTRA STRENGTH VINYL ADHESIVE PRO-732
2) GIBSON-HOMANS DYNAMITE PROFESSIONAL WALLCOVERING ADHESIVES # 233 HEAVY DUTY UCLAY WALLCOVERING ADHESIVE.