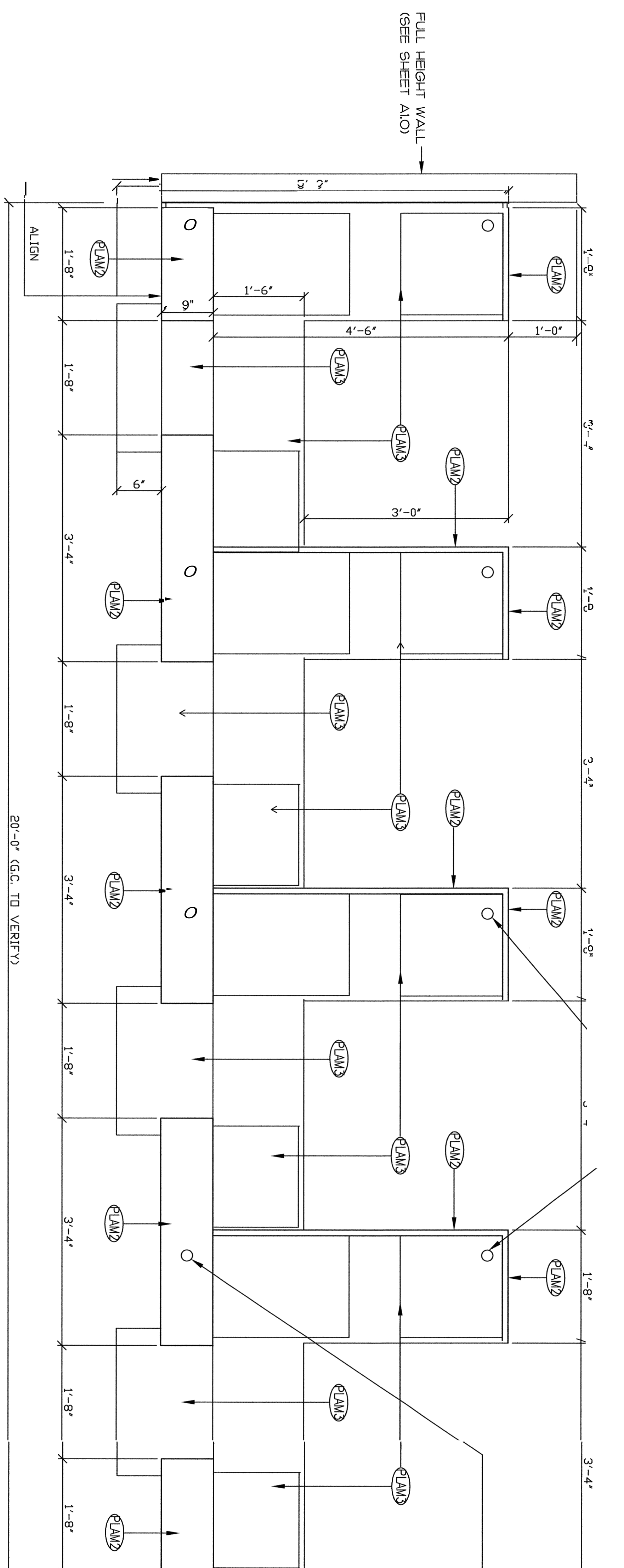
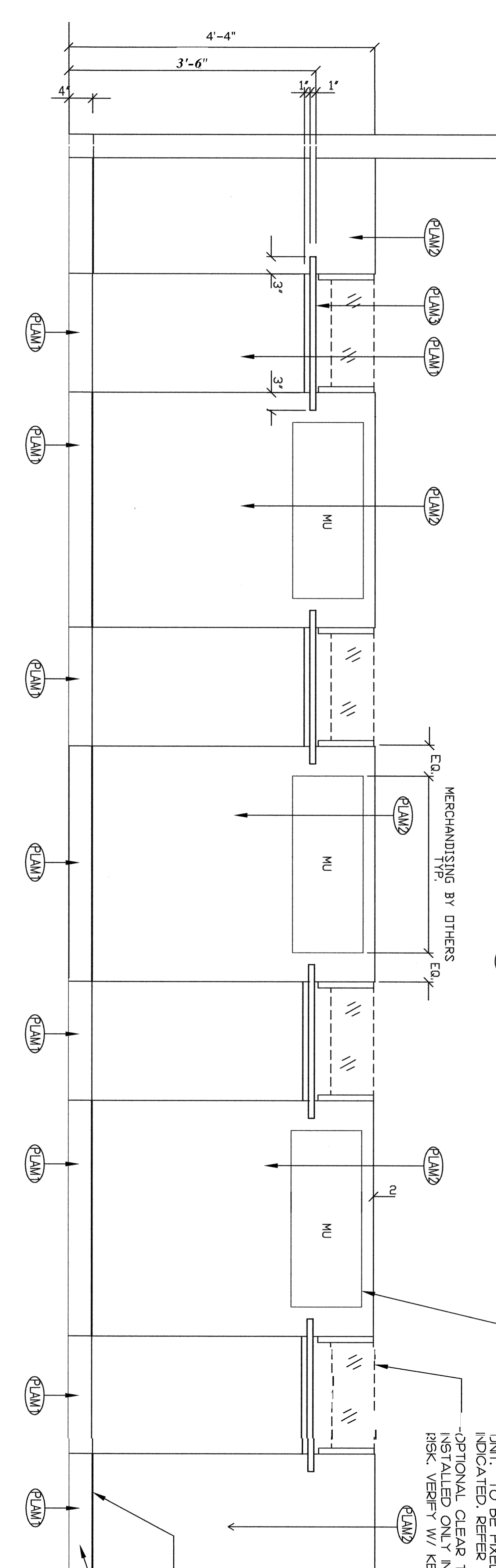


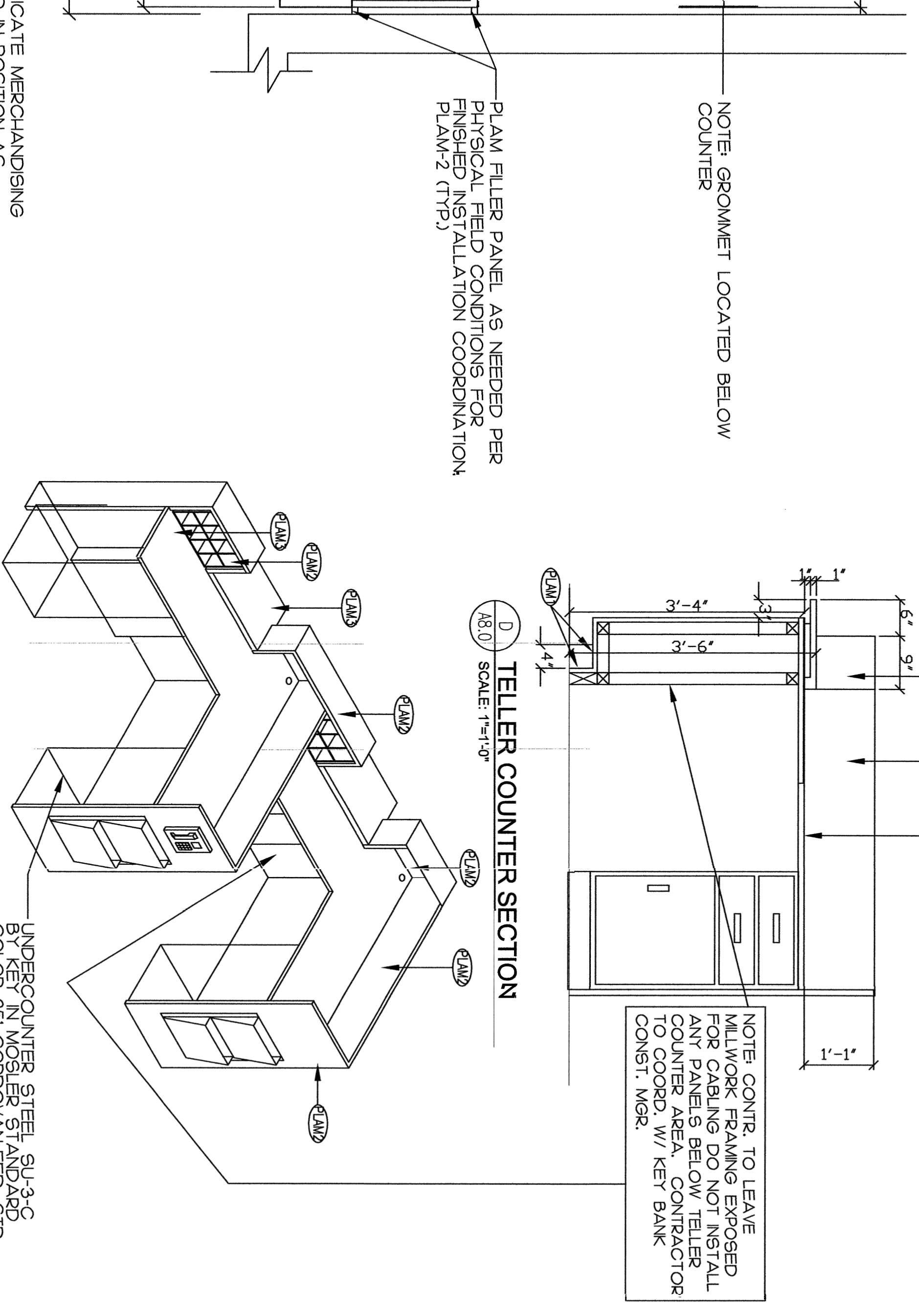
-2" GROMMET W/ PLASTIC TRIM RING AND COVER PROVIDED AN INSTALLED BY G.C. COORDINATE FINAL PLACEMENT W/ OWNER EQUIPMENT. TYP



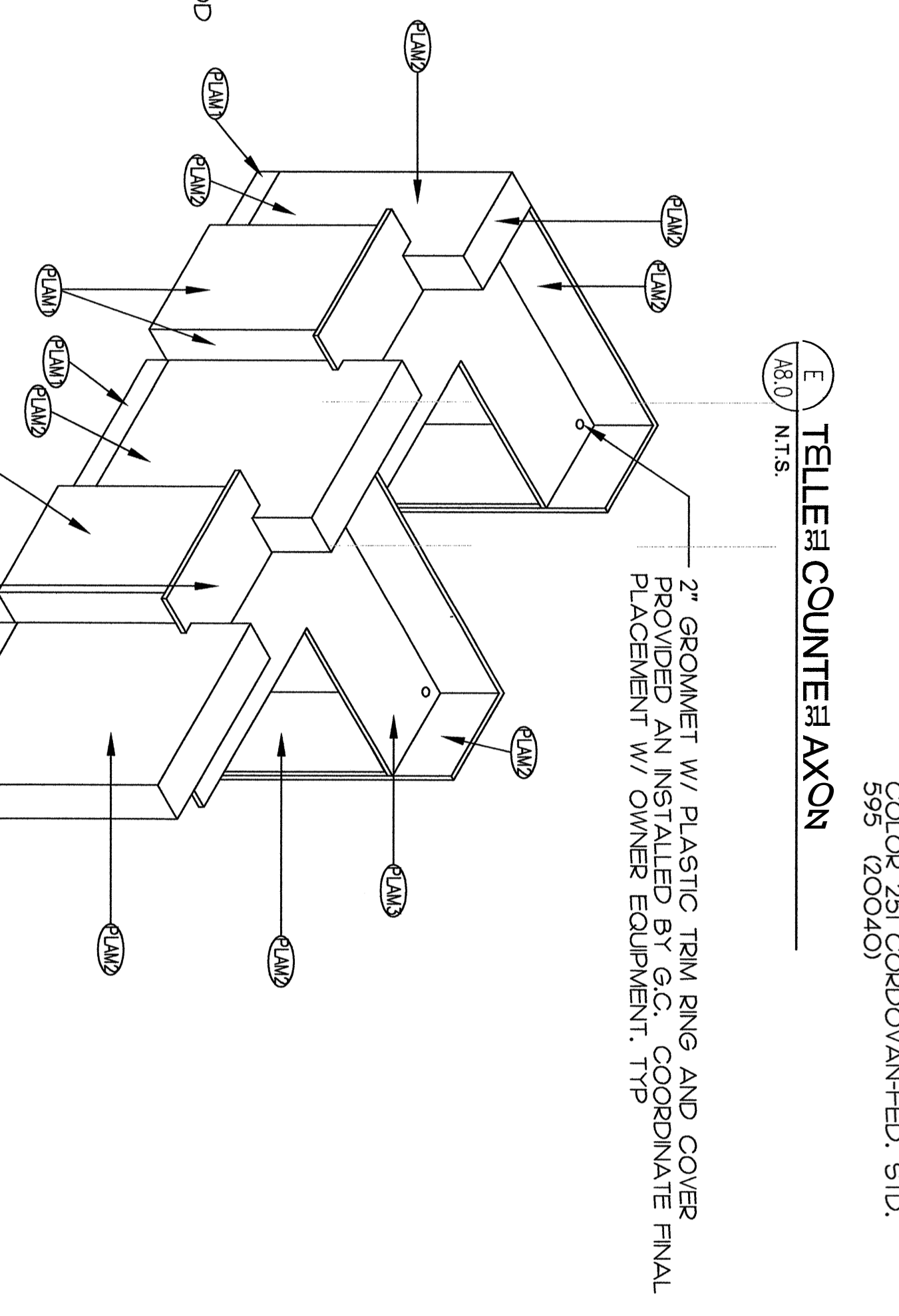
**A** TELLER COUNTER PLAN  
SCALE: 1/4"=1'-0"



**B** TELLER COUNTER FRONT ELEVATION  
SCALE: 1/4"=1'-0"



**D** TELLER COUNTER SECTION  
SCALE: 1/4"=1'-0"

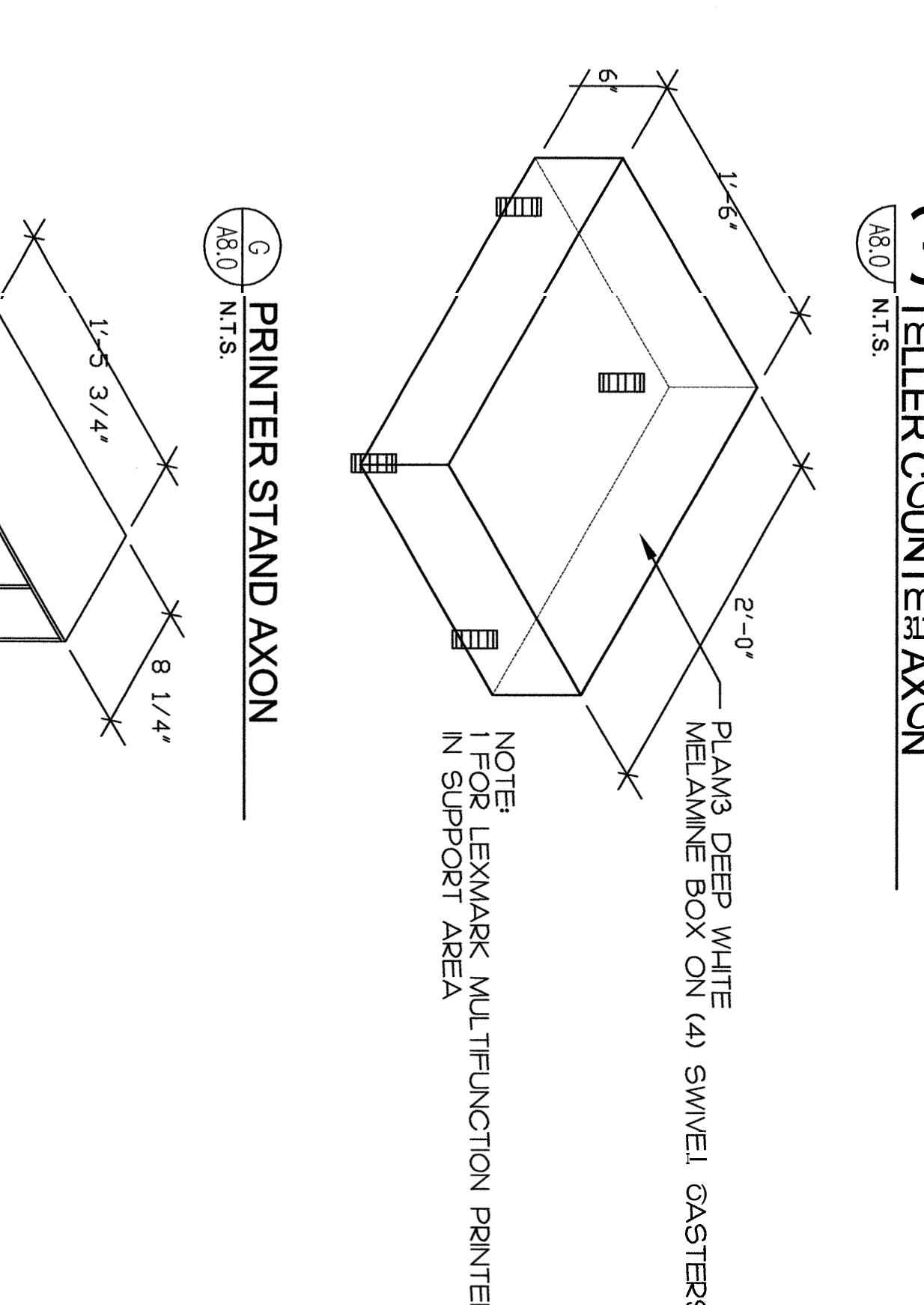


**E** TELLER COUNTER AXON  
SCALE: 1/4"=1'-0"

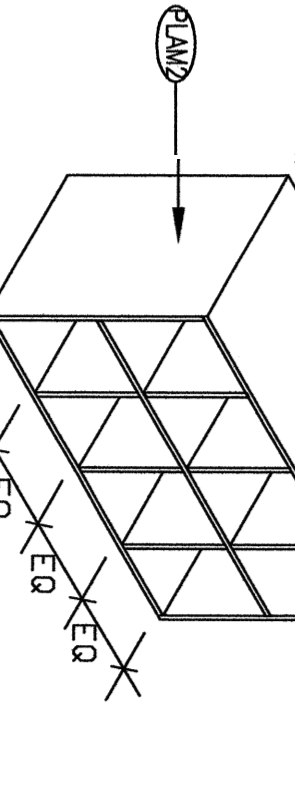
On sheet A-1.0 there is a workstation in Financial Solutions Room 105. The function of this workstation is a "Personal Banker" and would service wheelchair bound customers.



**C** TELLER COUNTER BACK ELEVATION  
SCALE: 1/4"=1'-0"



**G** PRINTER STAND AXON  
SCALE: 1/4"=1'-0"



**H** PROOF BOX DETAIL  
SCALE: 1/4"=1'-0"

**VOCOM**  
DESIGN INC  
2460 Prospect Avenue  
216 623-4800 P.  
216 623-0400 F.  
vocomvocom.com

**W. Architectural Inc**  
2460 Prospect Ave. 4th Fl. 216-623-4800  
Cleveland, Ohio 44115 216-623-0400

Type III Branch  
Proposed New Construction  
**85 Commercial**  
Street-Long Ward  
Portland, ME



2025 Ontario St., 4th Floor, Cleveland, Ohio 44115

<b>REVISIONS</b>	Issued for Bid and Permit 8/29/03
<b>Drawn by:</b>	JC
<b>Checked by:</b>	MJK
<b>Job Number:</b>	3897-001
<b>DWG. Construction Phase:</b>	Documents
<b>Sheet Title:</b>	TELLER STATION DETAILS
<b>Sheet Number:</b>	A-80
<b>Original Date:</b>	August 11, 2003