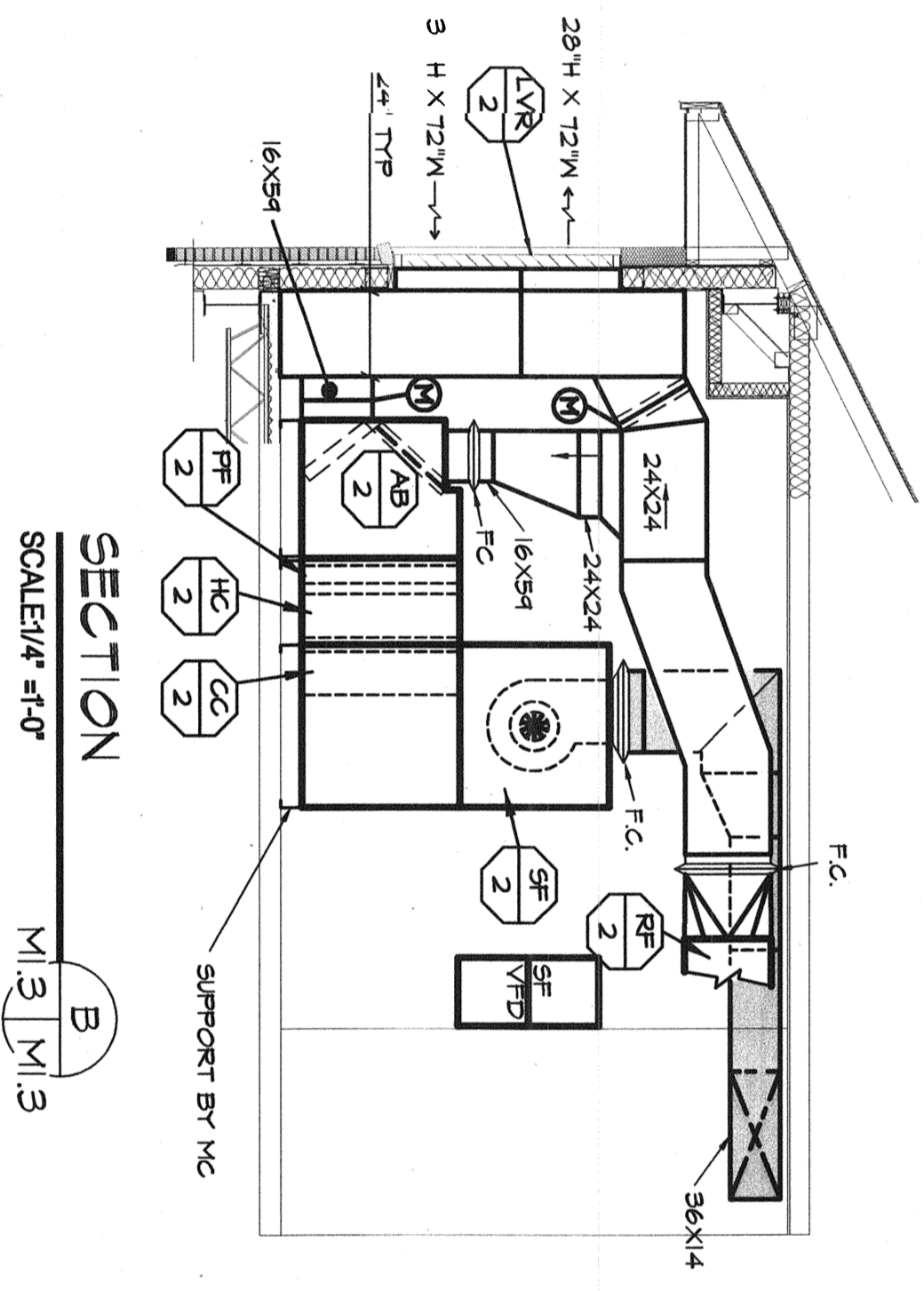
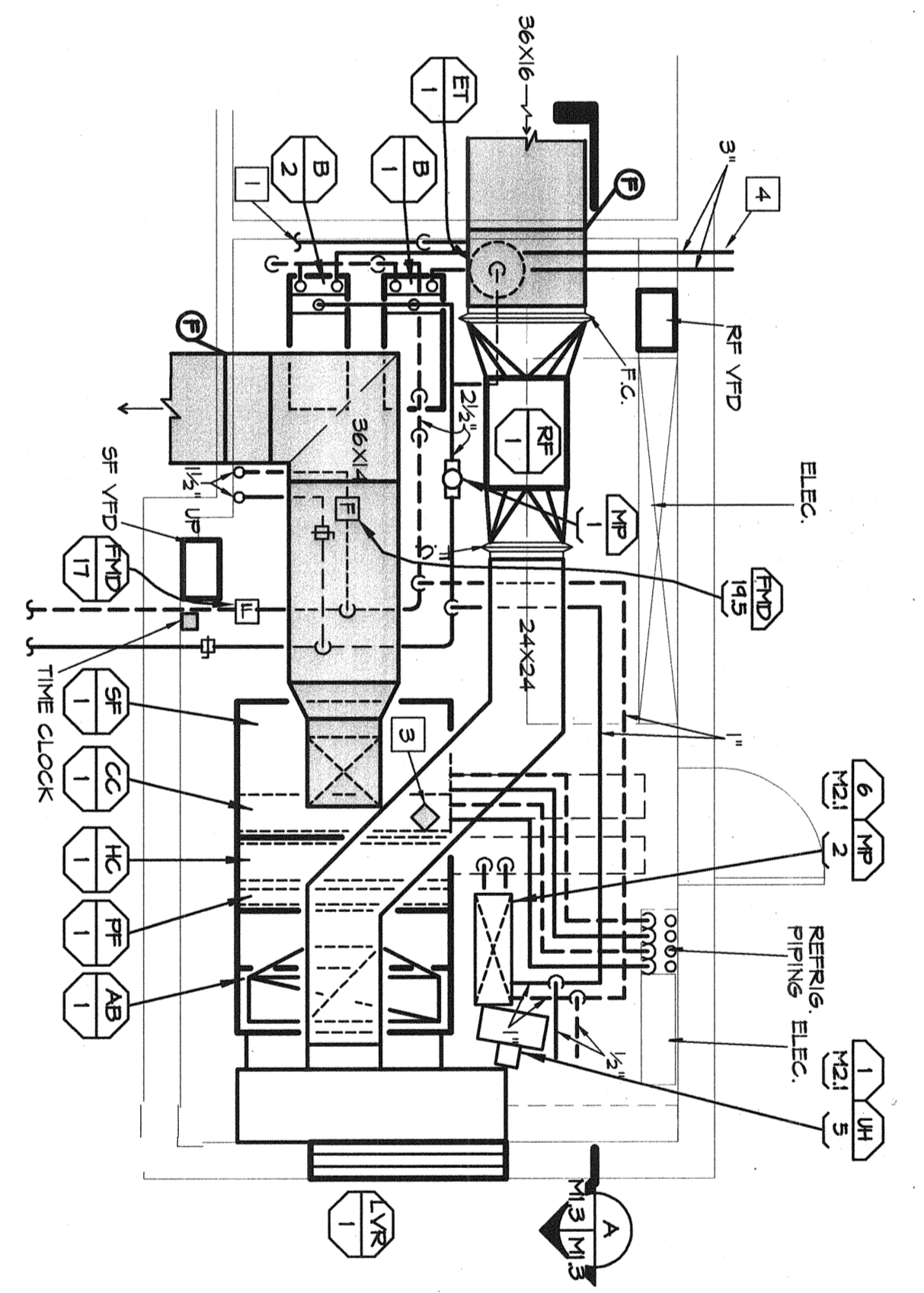


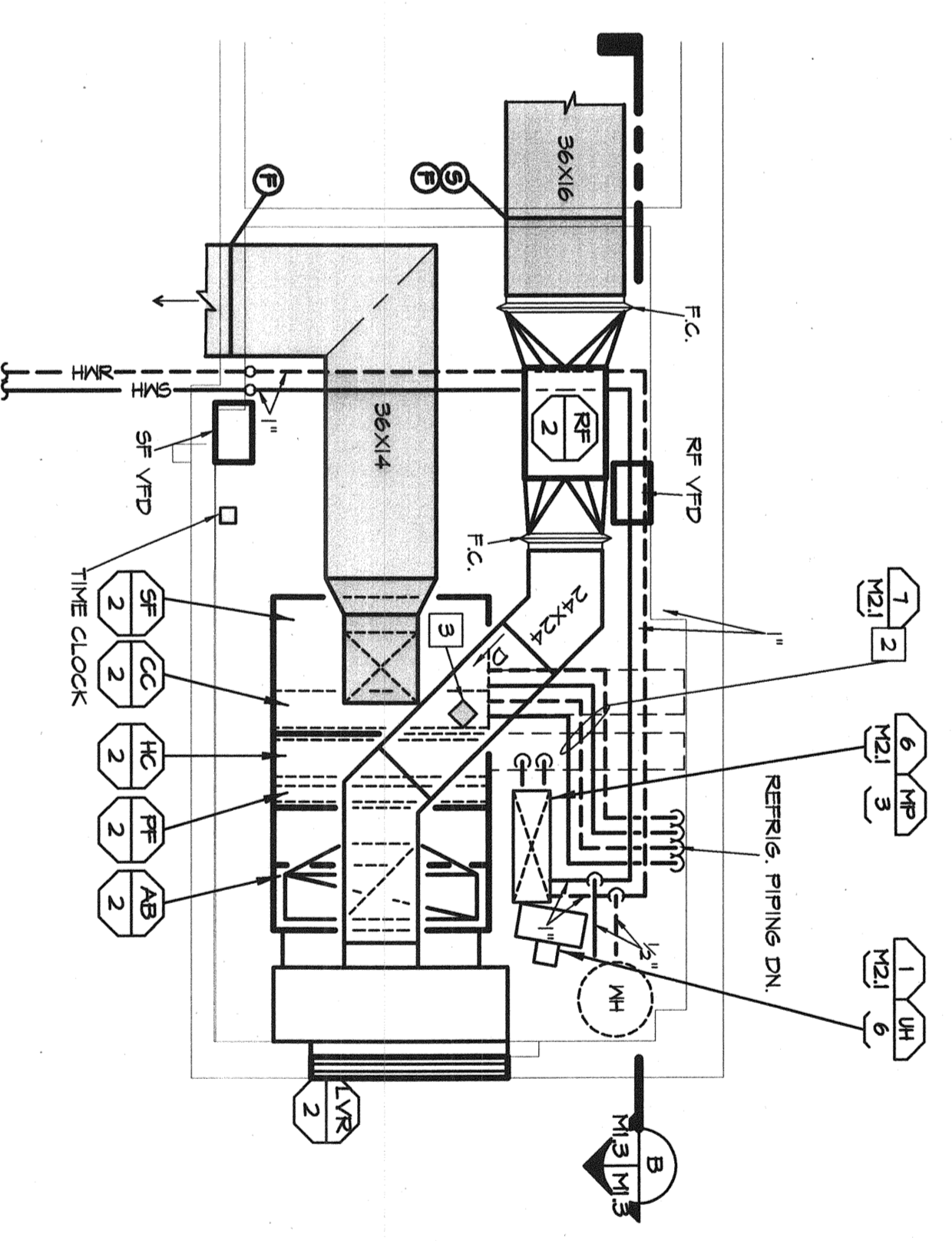
SECTION
SCALE 1/4" = 1'-0"



SECTION
SCALE 1/4" = 1'-0"



MECHANICAL EQUIPMENT ROOM 110
SCALE 1/4" = 1'-0"



MECHANICAL EQUIPMENT ROOM 207
SCALE 1/4" = 1'-0"

- KEYED NOTES:**
- 1 CONNECT TO 3/4" MAKEUP WATER BY P.C. AND EXTEND TO REQUIRED CONNECTIONS.
 - 2 REDESIGN PIPING - SIZE / EXTEND AND CONNECT PER MANUFACTURER'S INSTRUCTIONS.
 - 3 STATIC PRESSURE SENSOR - RETURN FAN AND RELIEF DAMPER CONTROLLER.
 - 4 CONNECTION AIR AND EXHAUST AIR PIPING SIZE AND INSTALL AS PER MANUFACTURER'S RECOMMENDATIONS.

The drawings are the property of the architect and shall remain the property of the architect. No part of these drawings shall be reproduced or transmitted in any form or by any means, electronic, mechanical, photocopying, recording, or by any information storage and retrieval system, without the prior written permission of the architect. The architect shall not be responsible for any errors or omissions in these drawings. The architect shall not be responsible for any damage to property or persons resulting from the use of these drawings. The architect shall not be responsible for any claims, damages, or liabilities of any kind resulting from the use of these drawings. The architect shall not be responsible for any claims, damages, or liabilities of any kind resulting from the use of these drawings.

EQUIPMENT ROOMS & SECTIONS

Copyright © HBE Corporation
Date: 2-4-04

BS	AS	CS
1/2	1/2	1/2
1/2	1/2	1/2

M1.3

REGISTERED ARCHITECT
FREDERICK S. SCOTT
NUMBER 685
STATE OF MAINE

REGISTERED ARCHITECT
RONALD L. HOLLANDER
NUMBER 731
STATE OF MAINE

REGISTERED ARCHITECT
ROBERT LYNN PAUL
NUMBER 10322
STATE OF MAINE

Frederick S. Scott, Architect
Ronald L. Hollander, Architect

11330 Olive Boulevard, St. Louis, Missouri 63141 (314) 567-9000

Construction By
HBE Financial Facilities
A Division of HBE Corporation, 11330 Olive Boulevard, St. Louis, Missouri 63141, Phone (314) 567-9000

A New Building for
EVERGREEN CREDIT UNION
Portland, Maine