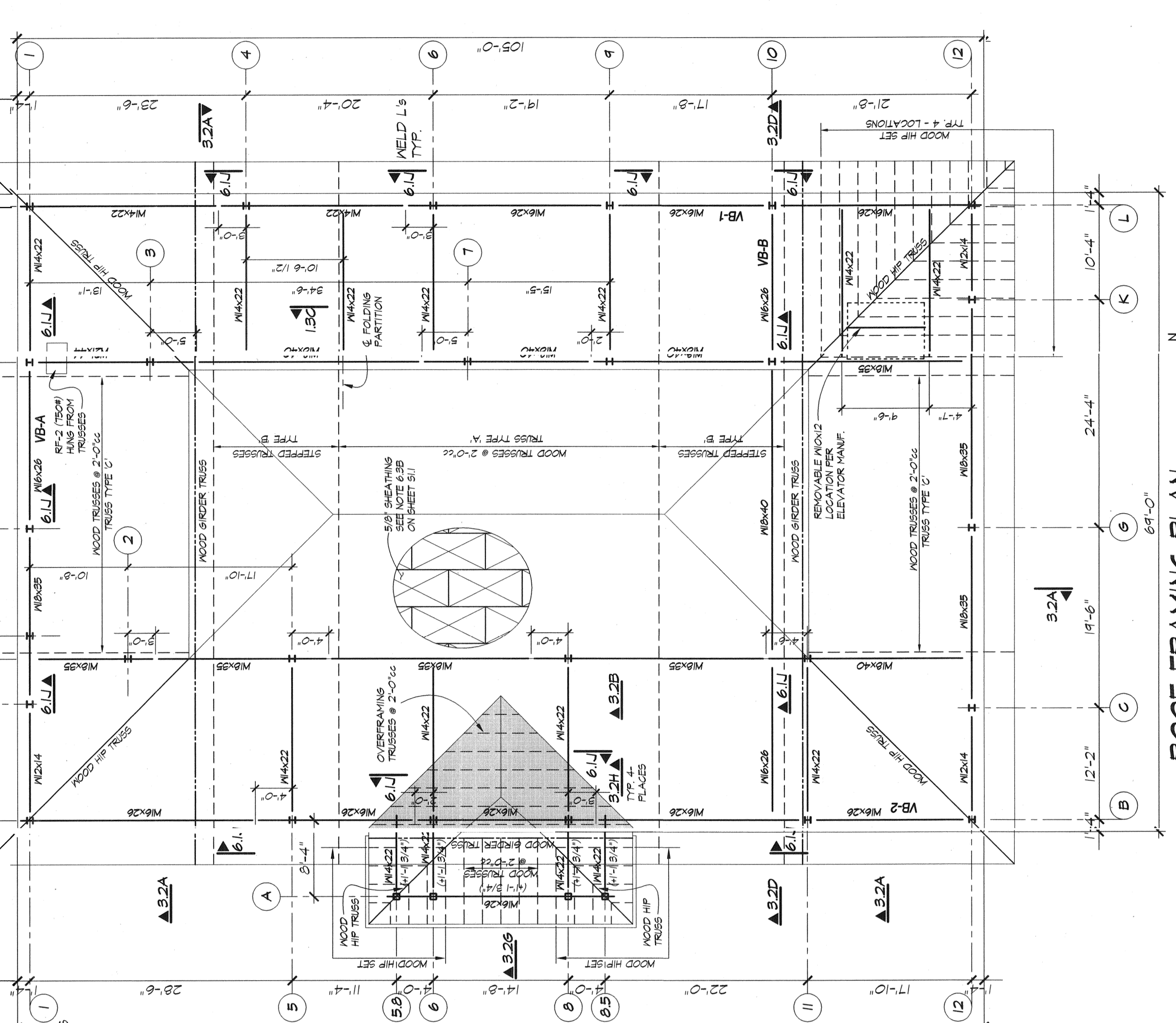
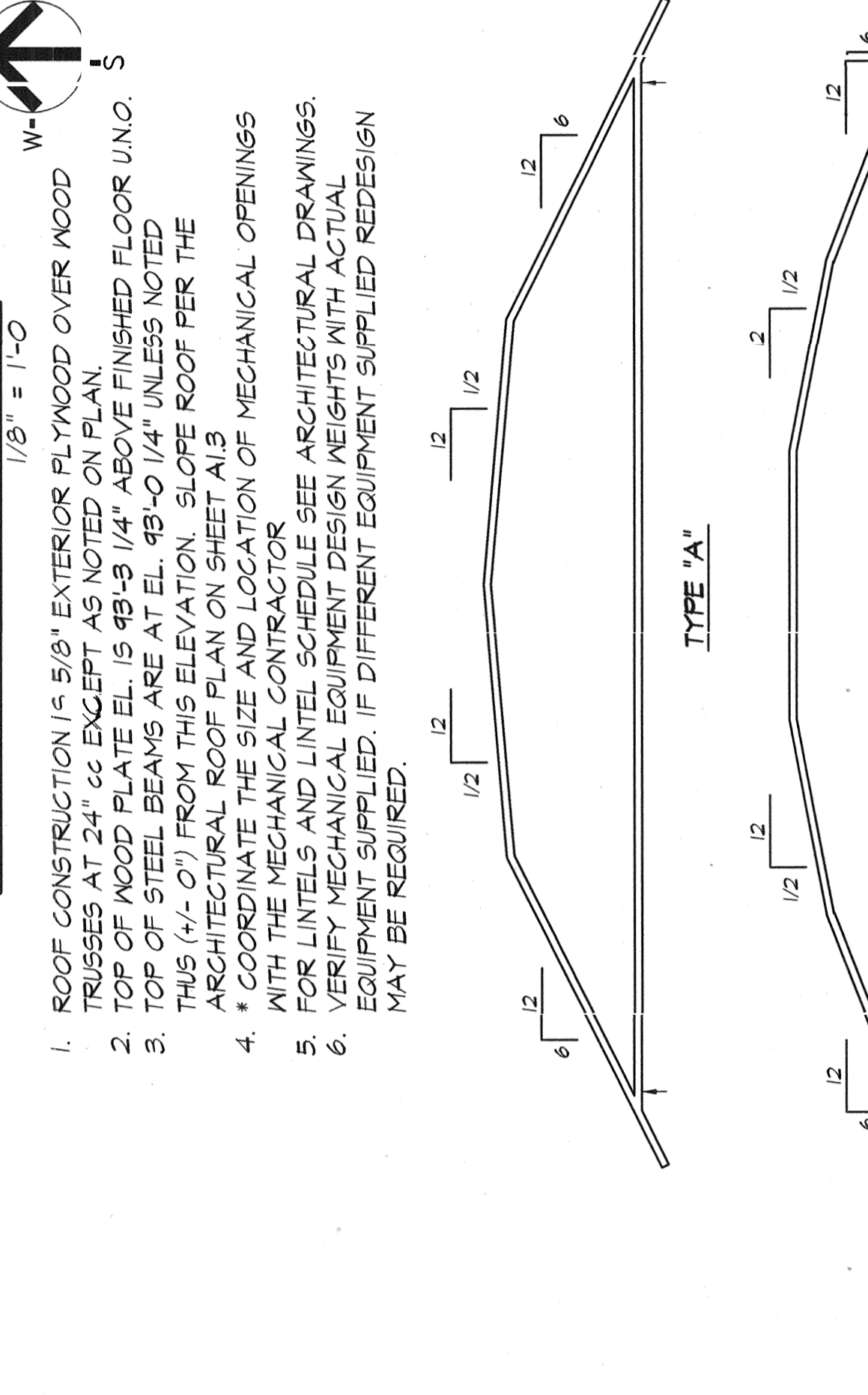


6/17/2003 11:03 AM  
B:\PROJECTS\2003\2544\HBE302\BRS3-27\FRAMEWORK\_02-04-04.dwg  
1/18/04



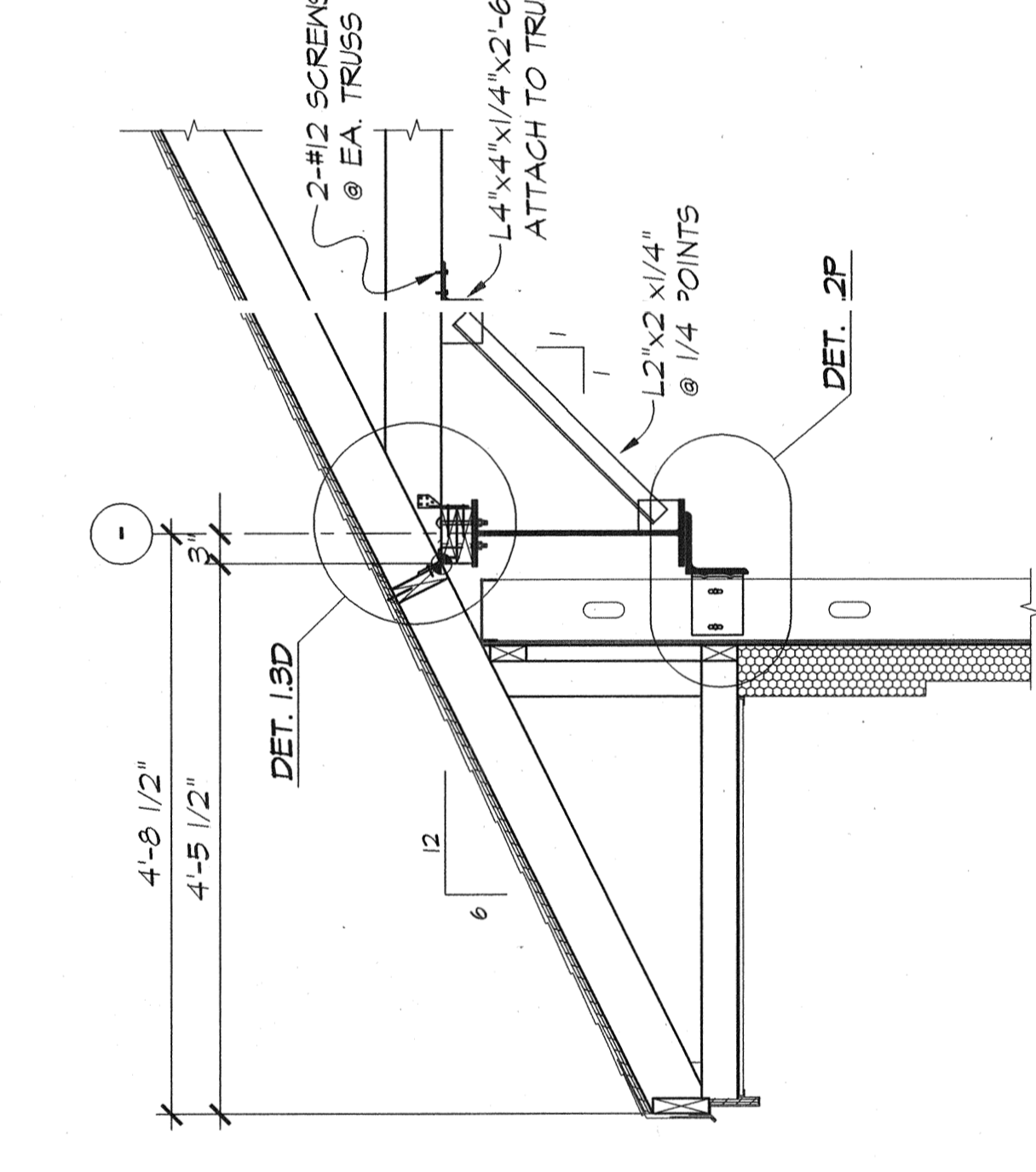
**ERECTION OF TRUSSES**

- 1) THE TEMPORARY AND PERMANENT BRACING OF THE TRUSS MEMBERS FOR WOOD TRUSSES IS THE RESPONSIBILITY OF THE ERECTOR.
- 2) THE GUIDE LINES AND RECOMMENDATIONS FOR HANDLING, INSTALLING AND BRACING (HIB-PI) OF ROOF TRUSSES SHOULD BE FOLLOWED VERY CAREFULLY ACCORDING TO THE TRUSS PLATE INSTITUTE (TPI).
- 3) REFER TO APPROVED TRUSS SHOP DRAWINGS FOR ALL REQUIRED PERMANENT BRACING FOR TRUSS MEMBERS.
- 4) GIRDER TRUSSES CONSISTING OF MULTIPLE PLIES SHALL BE FASTENED TOGETHER ACCORDING TO THE TRUSS DESIGN DRAWINGS PRIOR TO LIFTING AND ERECTING IN PLACE.
- 5) DO NOT REMOVE THE TEMPORARY BRACING UNTIL SHEATHING AND PERMANENT BRACING ARE IN PLACE.
- 6) THE REMOVAL OF THE TEMPORARY BRACING SHALL BE IN A SEQUENCE THAT ENSURES THE GENERAL STABILITY OF THE ROOF SYSTEM.

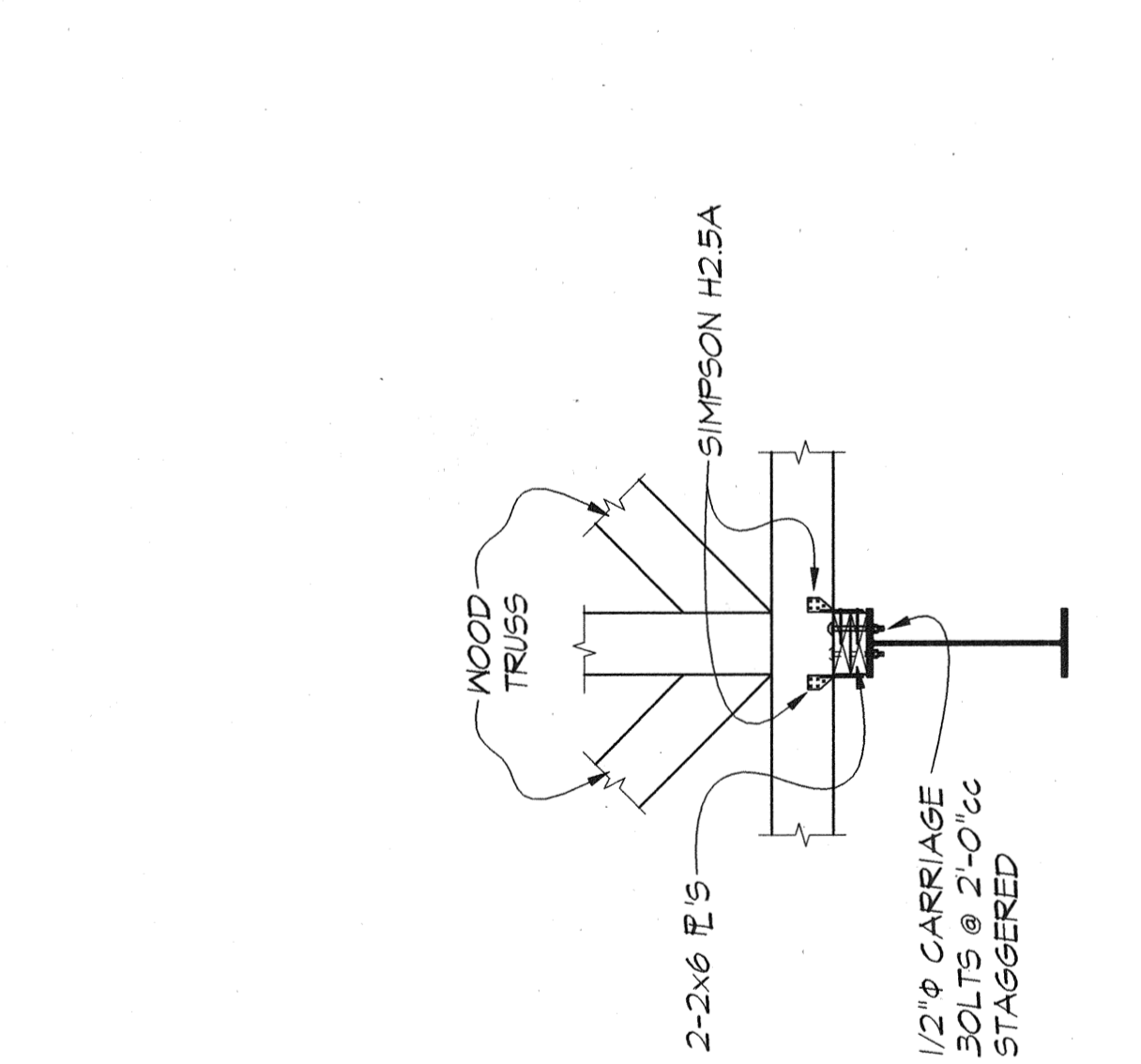


**ROOF FRAMING PLAN**  
1/8" = 1'-0"

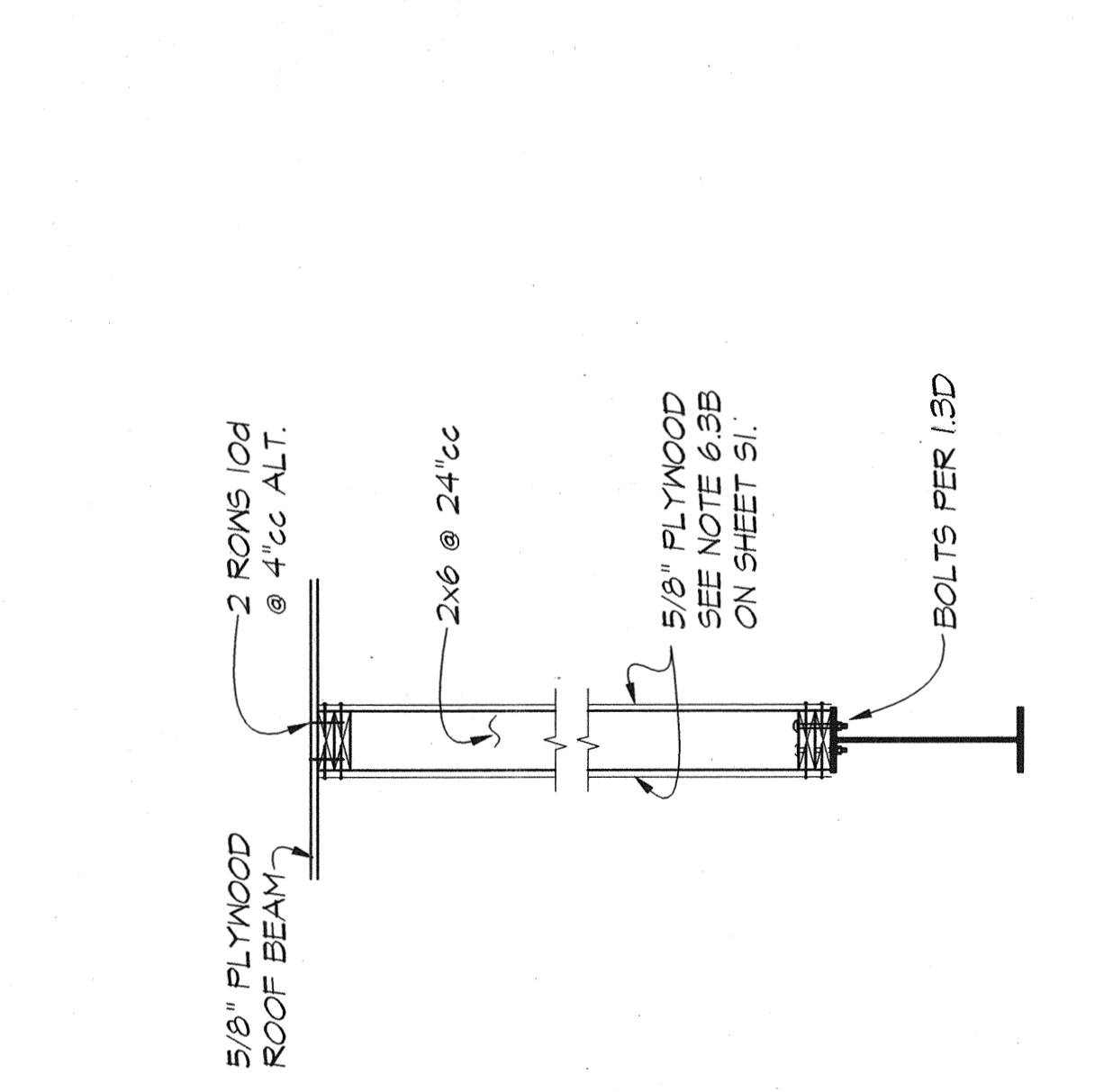
1. ROOF CONSTRUCTION IS 5/8" EXTERIOR PLYWOOD OVER WOOD TRUSSES AT 24" OC EXCEPT AS NOTED ON PLAN.
2. TOP OF WOOD PLATE IS 15'-9 3/4" ABOVE FINISHED FLOOR UNO.
3. TOP OF STEEL BEAMS ARE AT EL. 48'-0 1/4" UNLESS NOTED OTHERWISE.
4. COORDINATE THE SIZE AND LOCATION OF MECHANICAL OPENINGS WITH THE MECHANICAL CONTRACTOR.
5. FOR LINTELS AND LINTEL SCHEDULES SEE ARCHITECTURAL DRAWINGS.
6. VERIFY MECHANICAL EQUIPMENT DESIGN WEIGHTS WITH ACTUAL EQUIPMENT SUPPLIER. IF DIFFERENT EQUIPMENT SUPPLIER REDESIGN MAY BE REQUIRED.



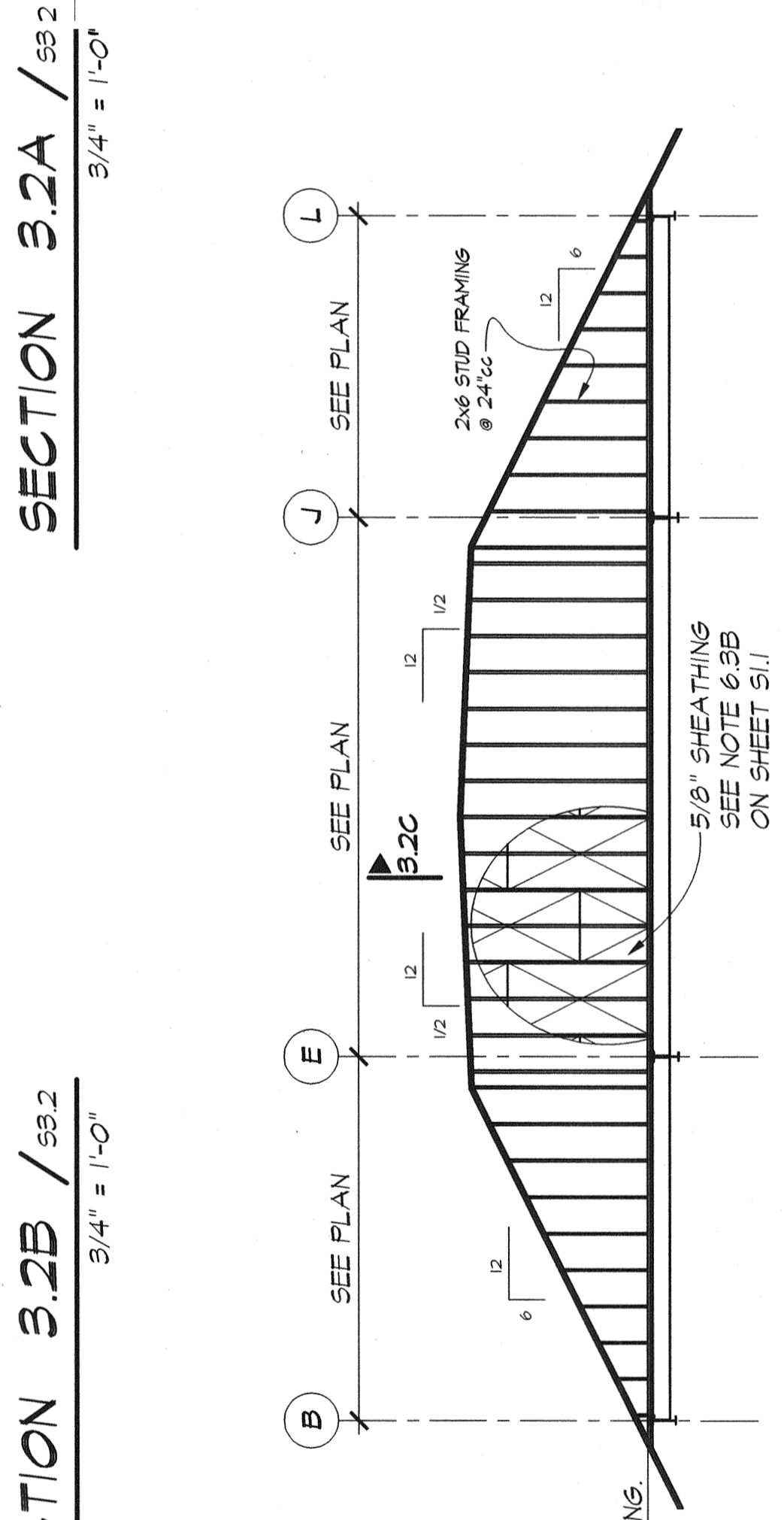
**SECTION 3.2A / 53.2**  
3/4" = 1'-0"



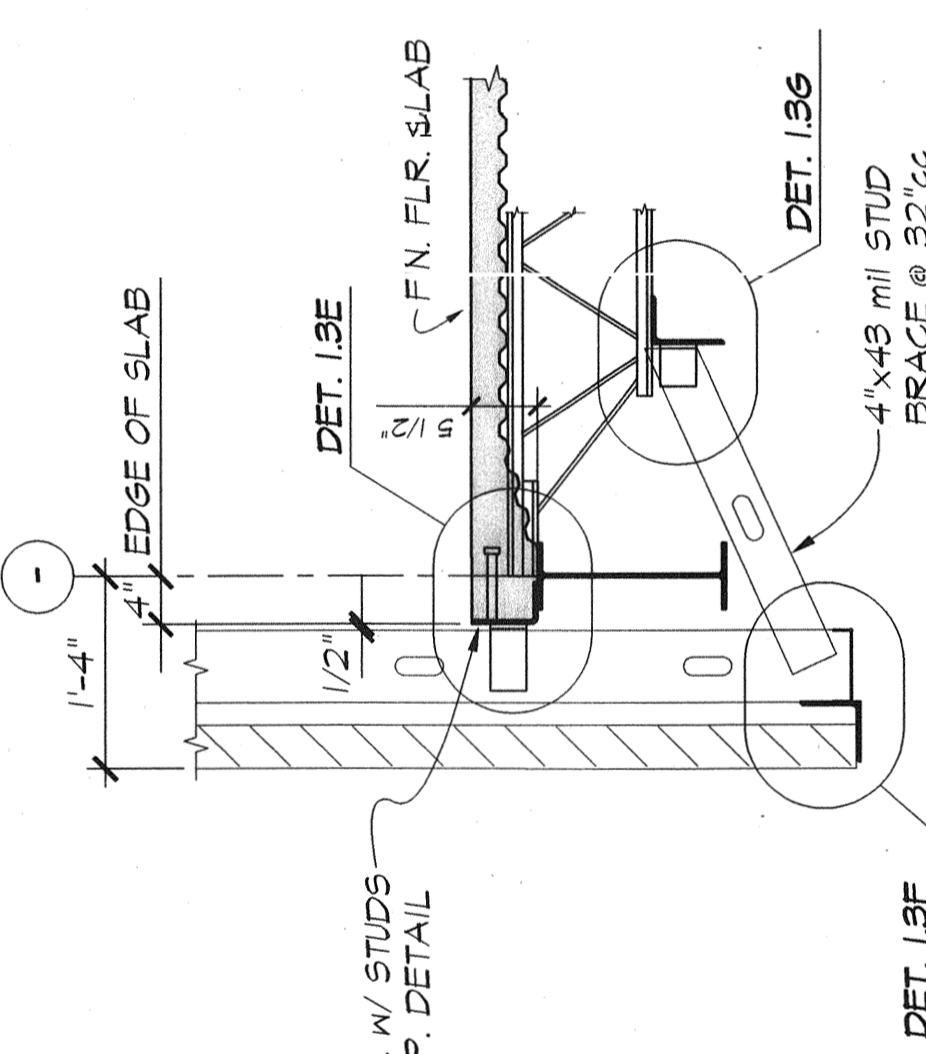
**SECTION 3.2B / 53.2**  
3/4" = 1'-0"



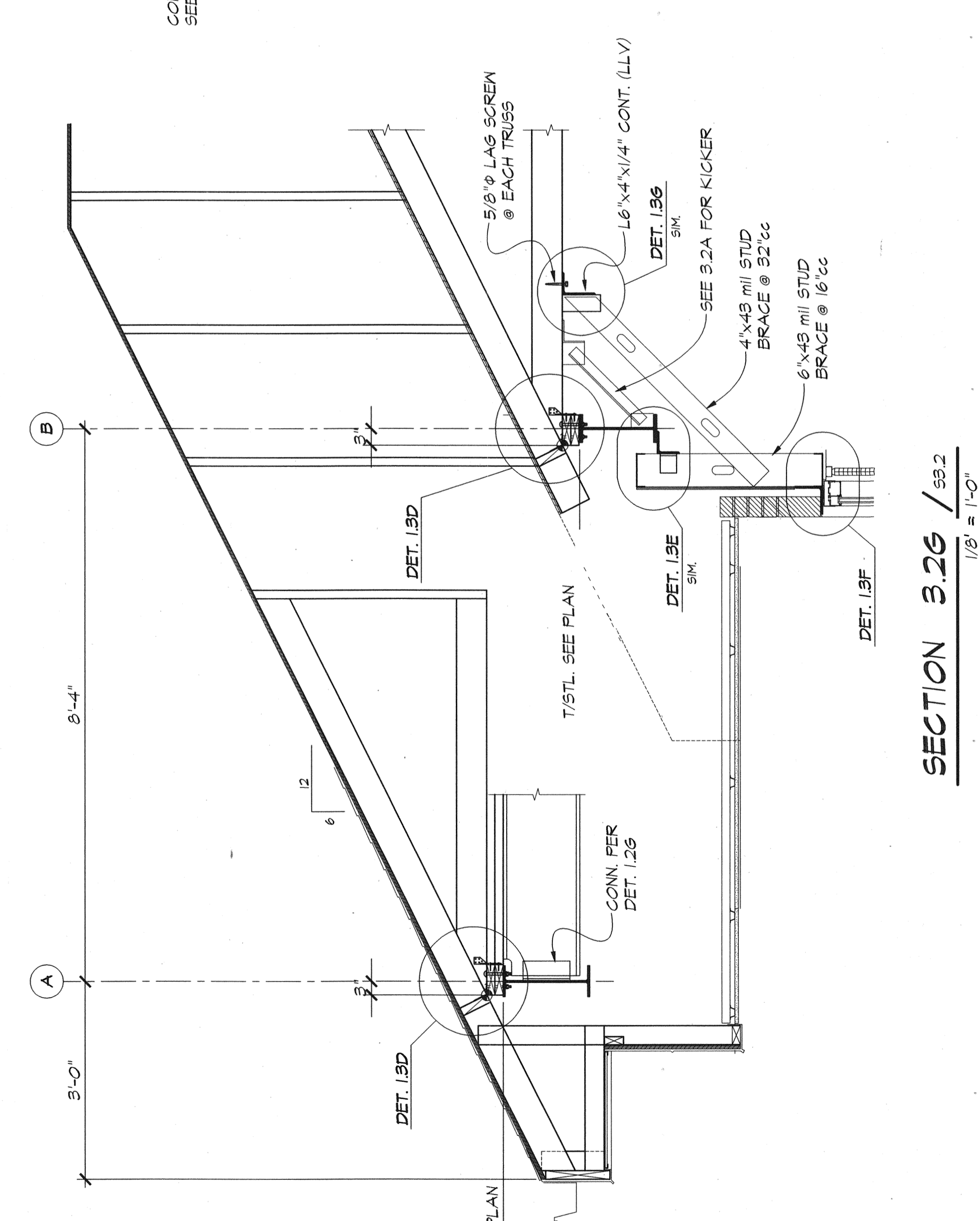
**SECTION 3.2C / 53.2**  
3/4" = 1'-0"



**SECTION 3.2D / 53.2**  
1/8" = 1'-0"



**SECTION 3.2F / 53.1**  
1/8" = 1'-0"



**SECTION 3.2E / 53.1**  
1/8" = 1'-0"

**SECTION 3.2H / 53.2**  
1/8" = 1'-0"