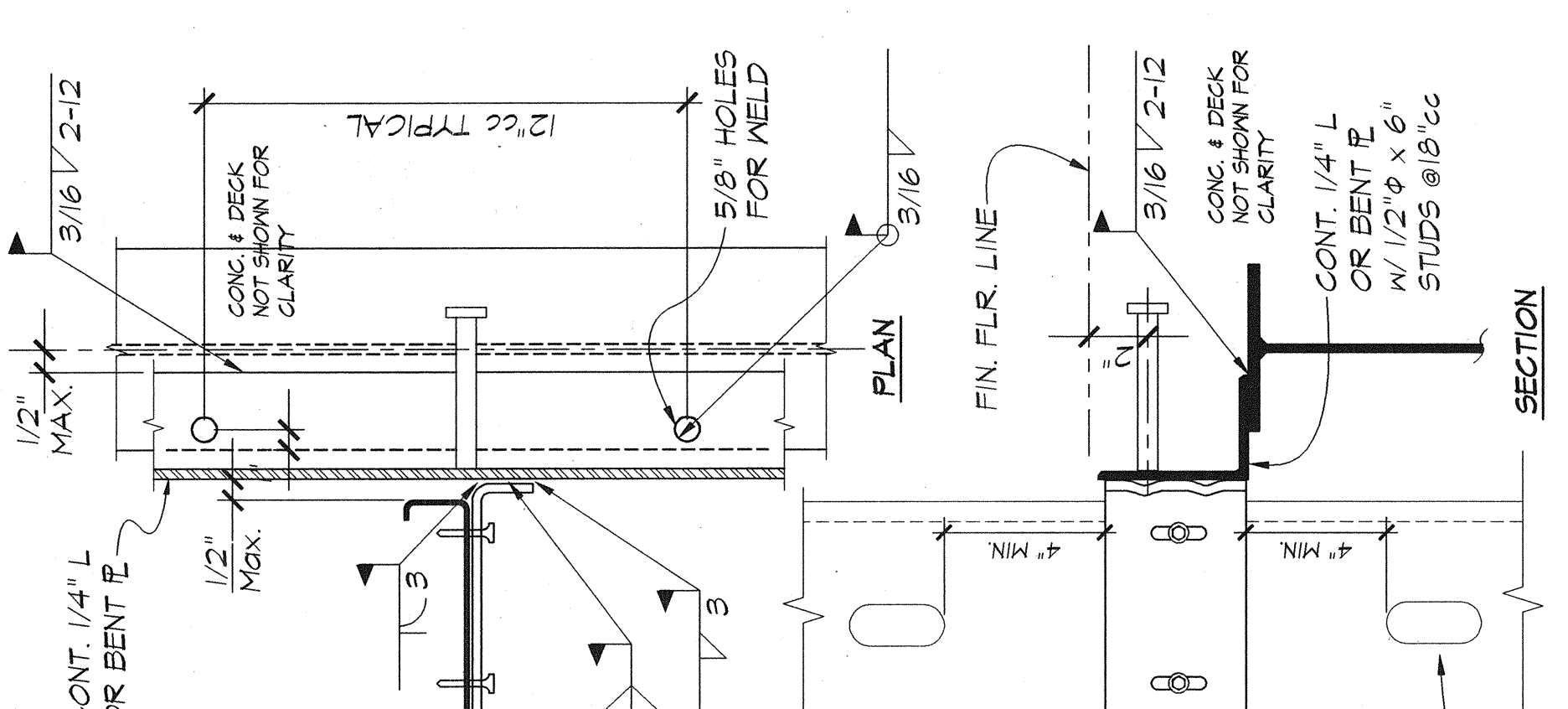


SPECIAL NOTE:
PRIOR TO FIELD WELDING ANGLE / BENT TO BEAM, POSITION BENT TO AT ALL FLOOR LINES TO MAINTAIN VERTICAL STUD ALIGNMENT FOR THE FULL HEIGHT OF THE BUILDING.

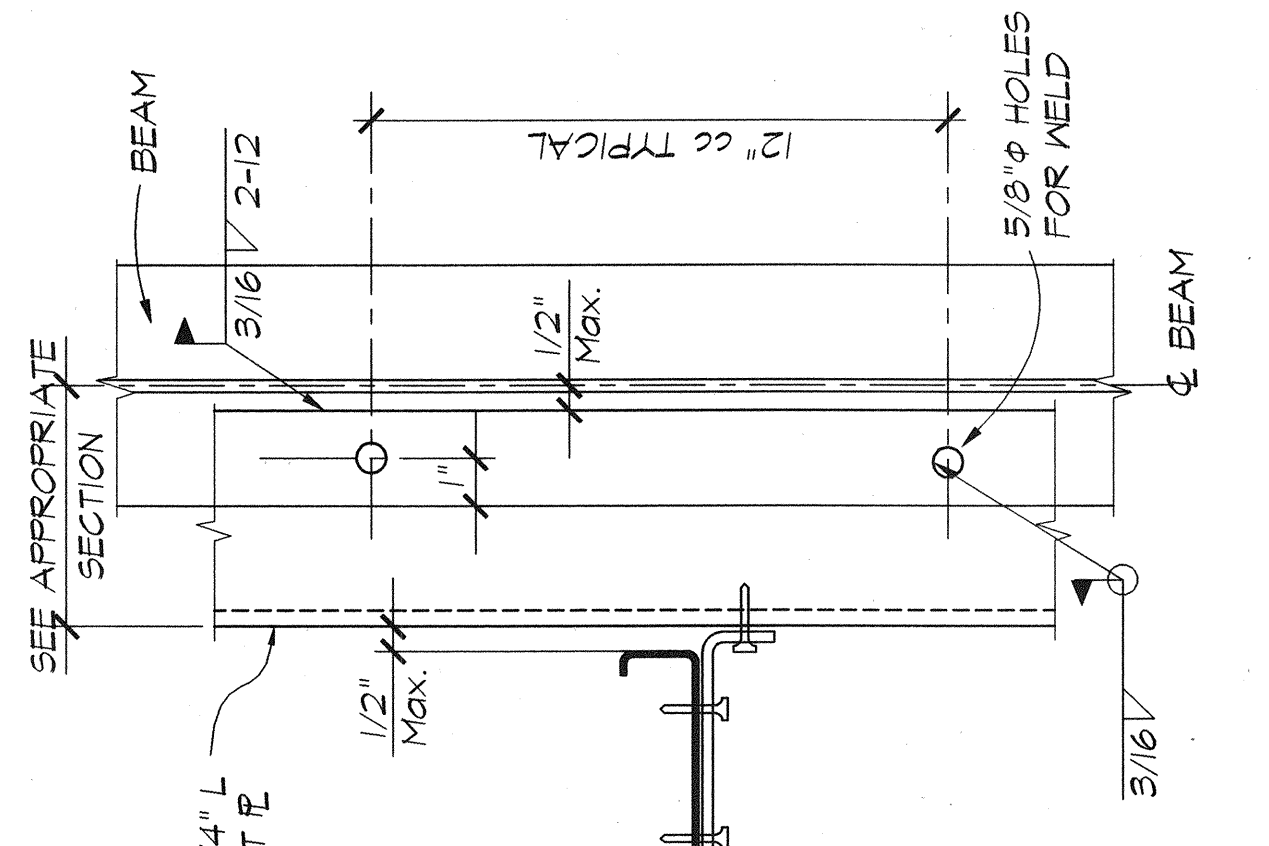
VERTICLIP SLB SERIES W/ 2 SLOTS AT EACH STUD

VERTICLIP SLB SERIES W/ 2 SLOTS AT EACH STUD

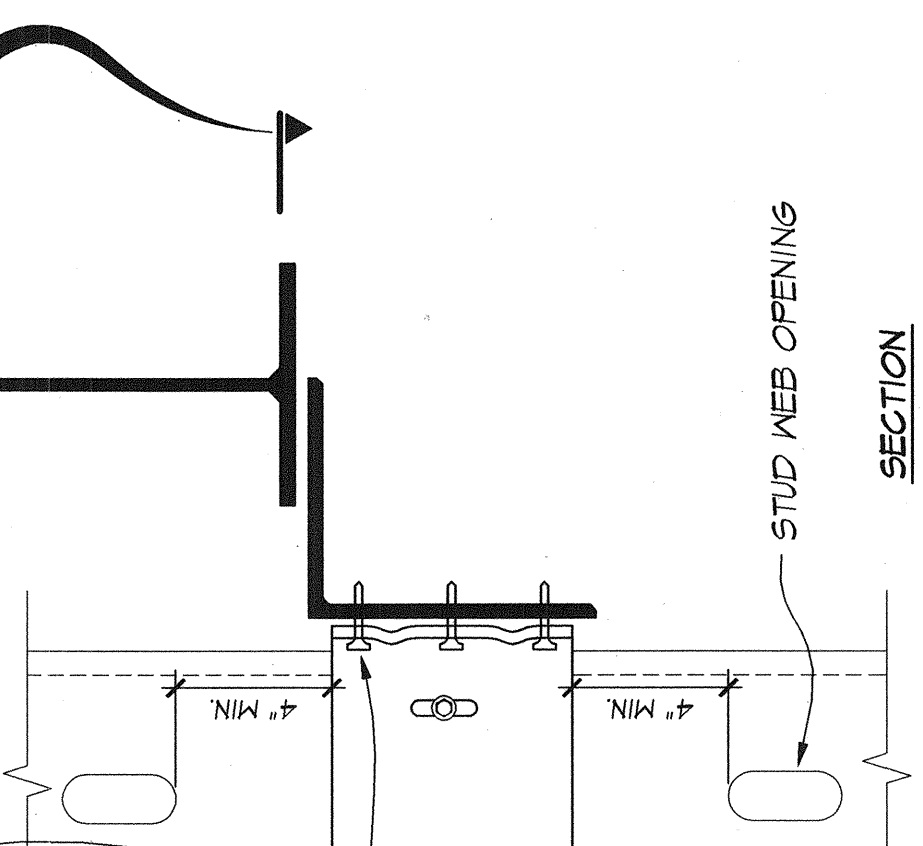
STUD WEB OPENING



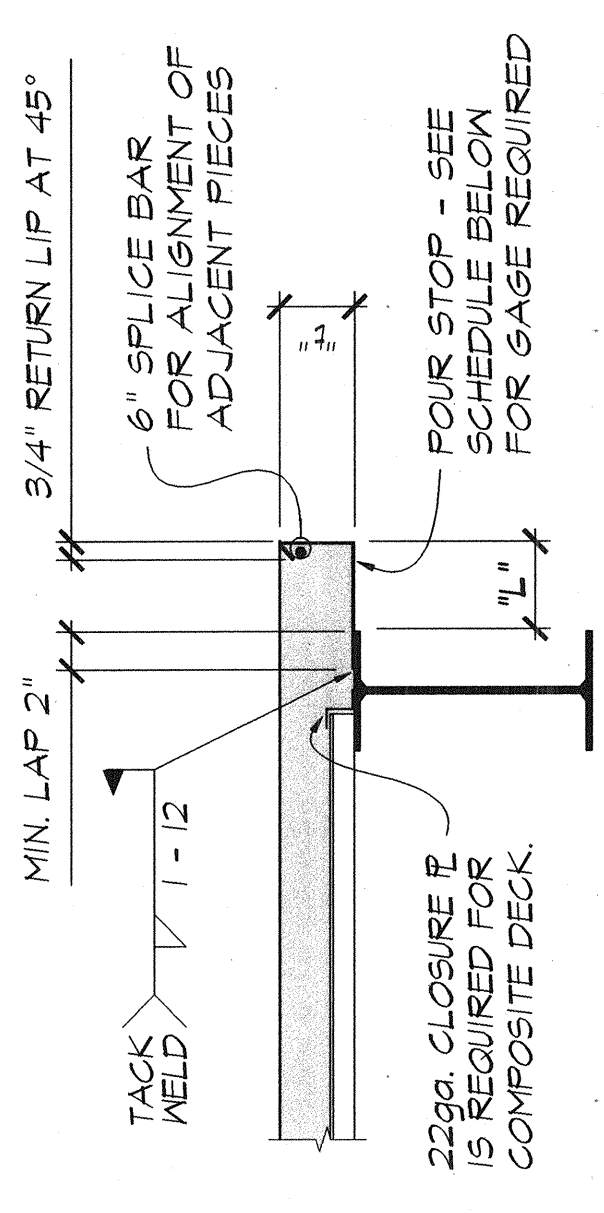
TYPICAL WALL STUD ATTACHMENT AT SLAB EDGE FORM ~ 1.2N
N.T.S.



VERTICLIP SLB SERIES W/ 2 SLOTS AT EACH STUD



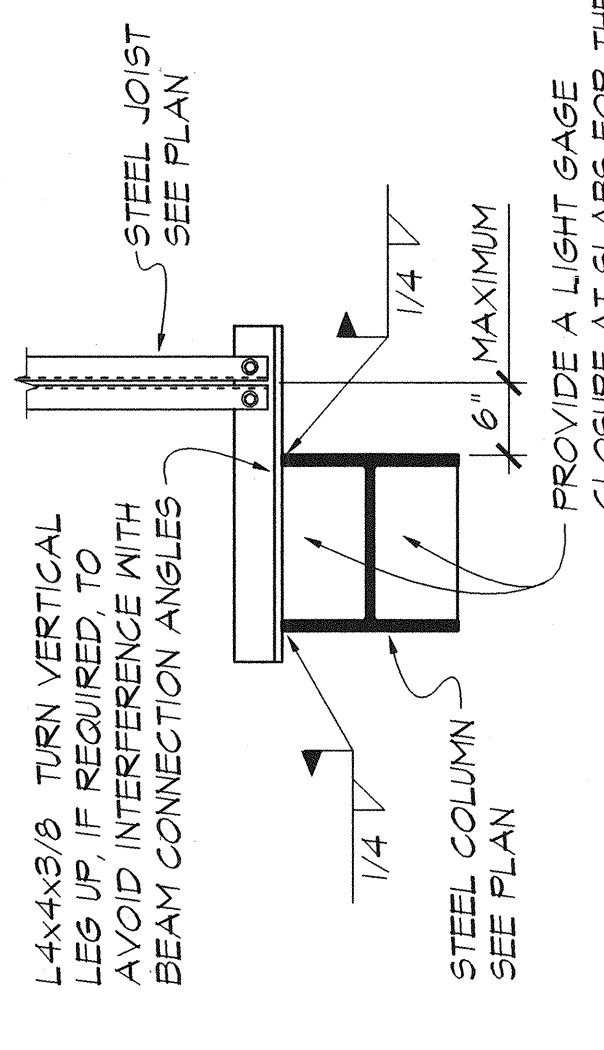
TYPICAL "VERTICLIP" & ANGLE ATTACHMENT AT ROOF BEAM ~ DETAIL 1.2P



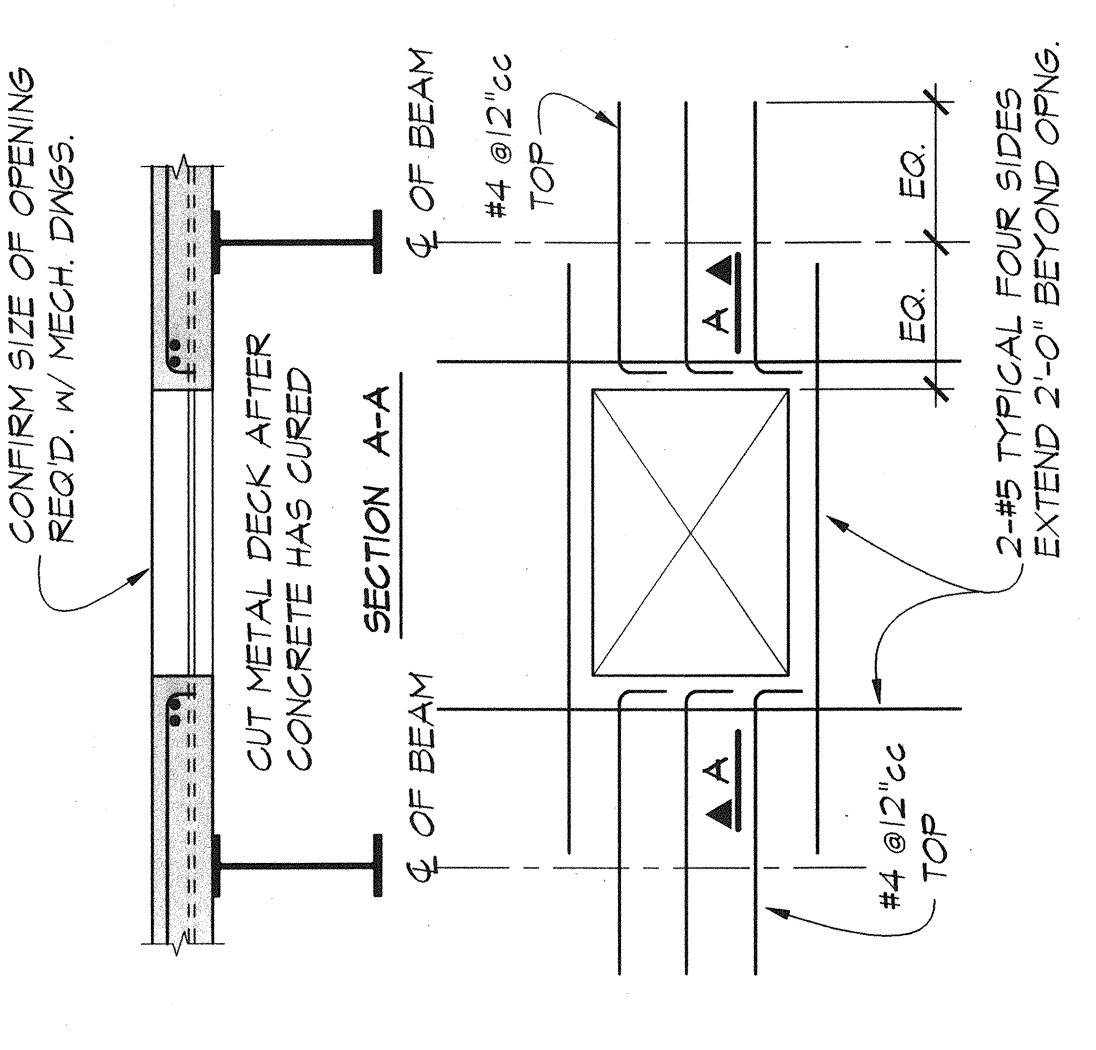
GAGE OF FOUR STOP ANGLE	
"L" = SLAB THICKNESS	"L" = OVERHANG
4" OR LESS	2" 3" 4" 5" 6" 7"
5 1/2" OR LESS	6 16 16 16 14 14
6 1/2" OR LESS	14 14 12 12 12 10
7 1/2" OR LESS	14 12 12 12 10 10

* BEYOND 7" SHORING IS REQUIRED
LIGHT GAGE STEEL ANGLE TO BE UNCOATED WITH A MINIMUM YIELD STRENGTH OF 39,000 P.S.I.

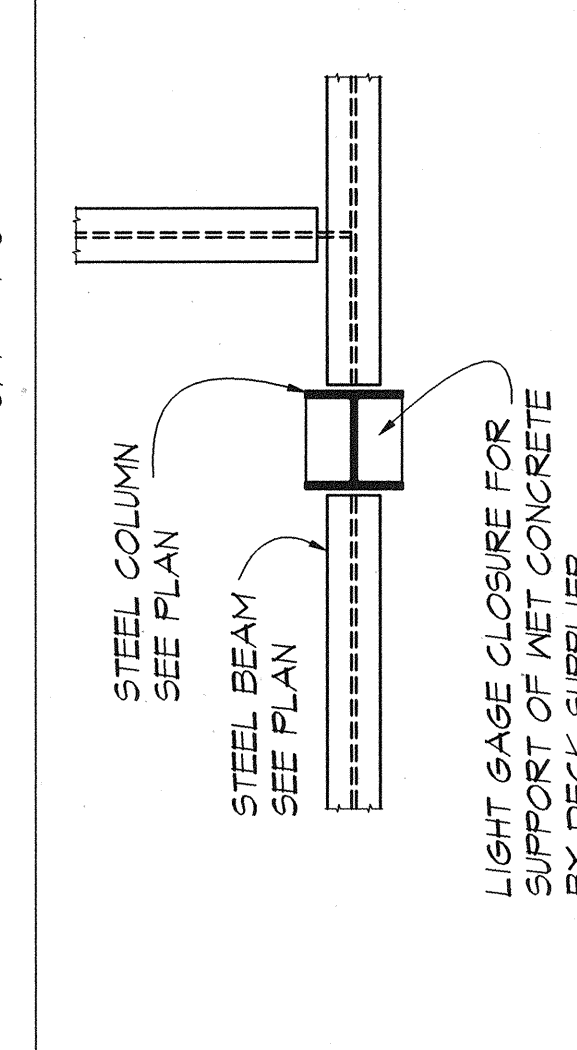
TYPICAL FOUR STOP DETAIL 1.2J



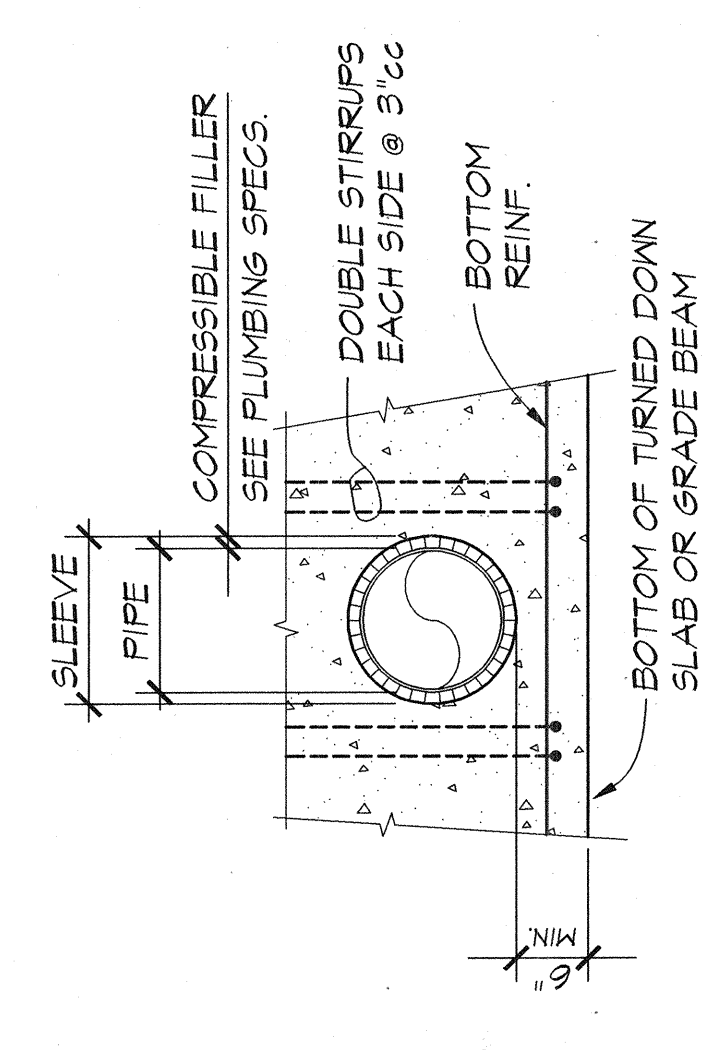
JOIST SEAT AT COLUMN AND COLUMN CLOSURE DETAIL 1.2K



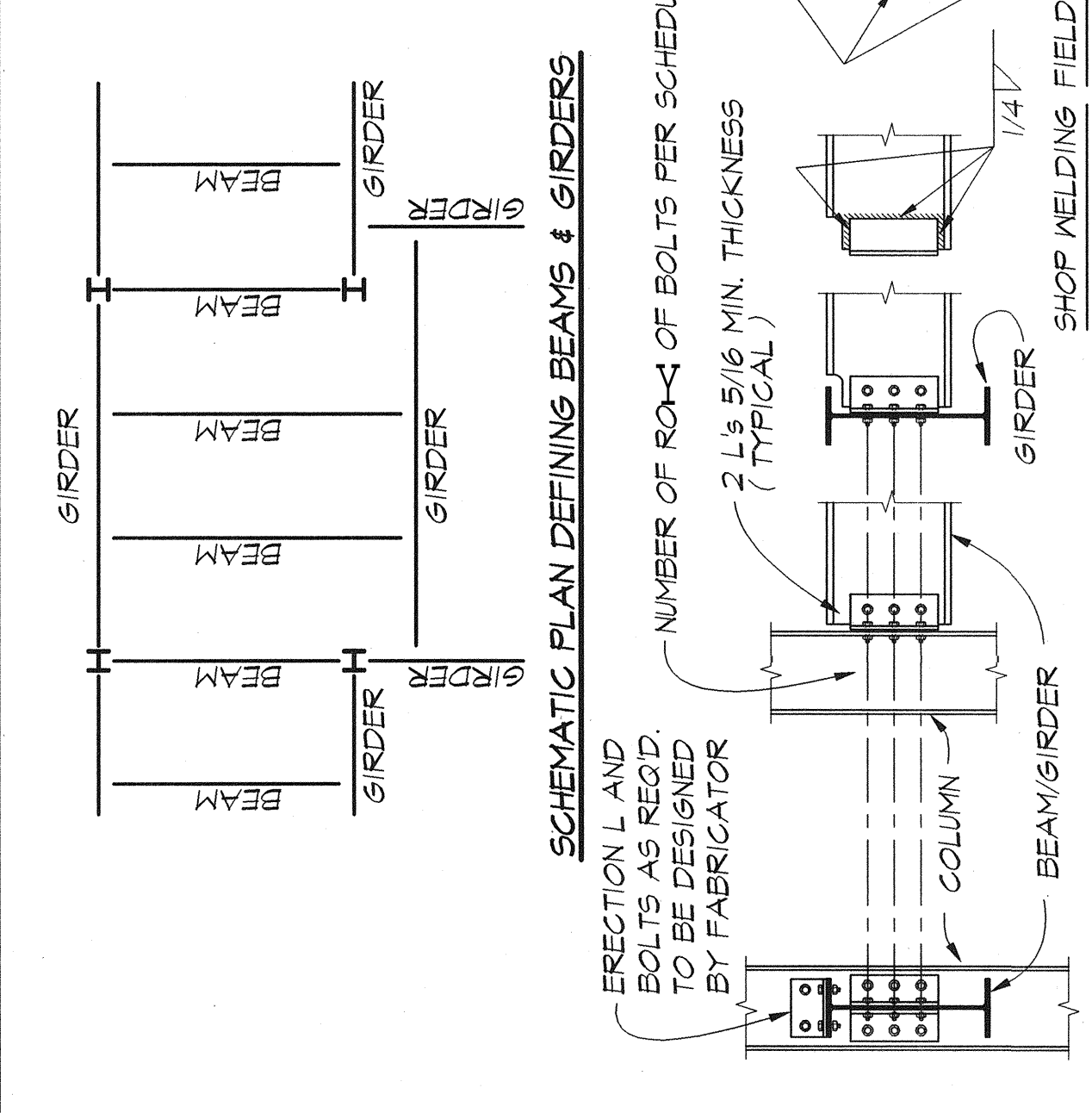
TYPICAL SLAB OPENING DETAIL 1.2L / 3/4" = 1'-0"



TYPICAL COLUMN CLOSURE DETAIL 1.2M



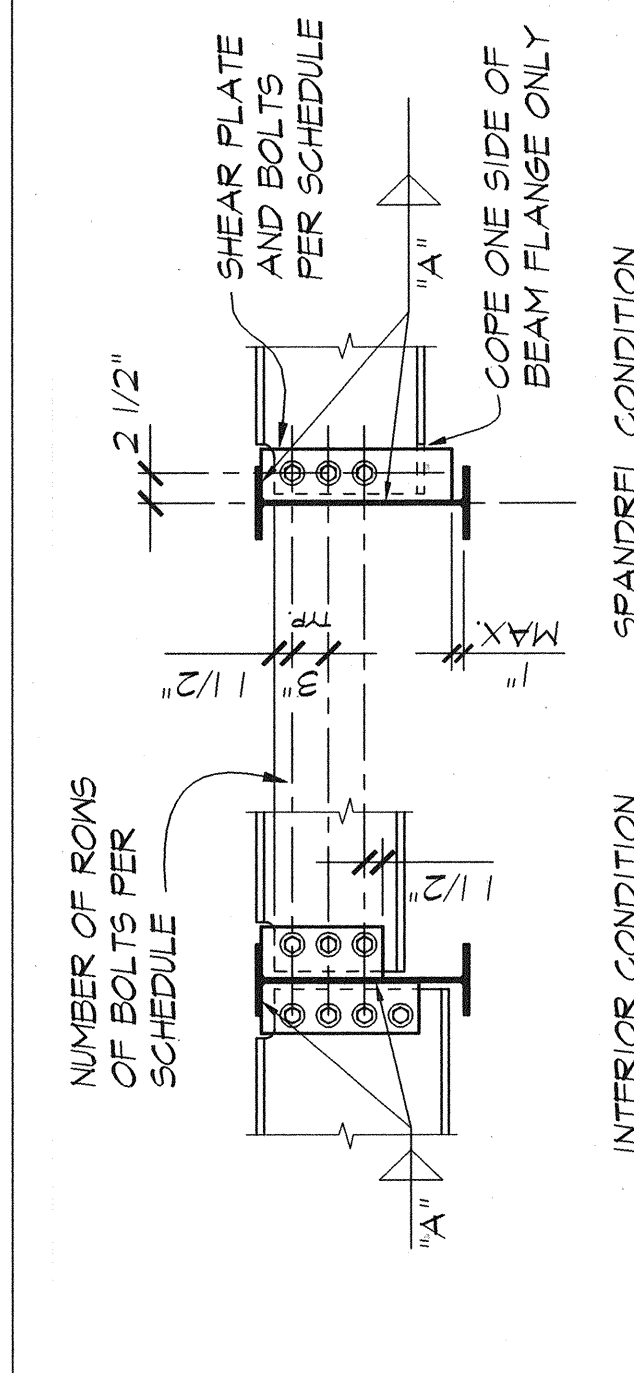
PIPE SLEEVE DETAIL 1.2F



SHOP WELD OR BOLT ANGLES AS REQUIRED TO OBTAIN NECESSARY CLEARANCE FOR FIELD BOLTING. FOR COLUMN FLANGES LESS THAN 6", USE SINGLE PLATE CONNECTION PER BEAM TO GIRDER DETAIL.

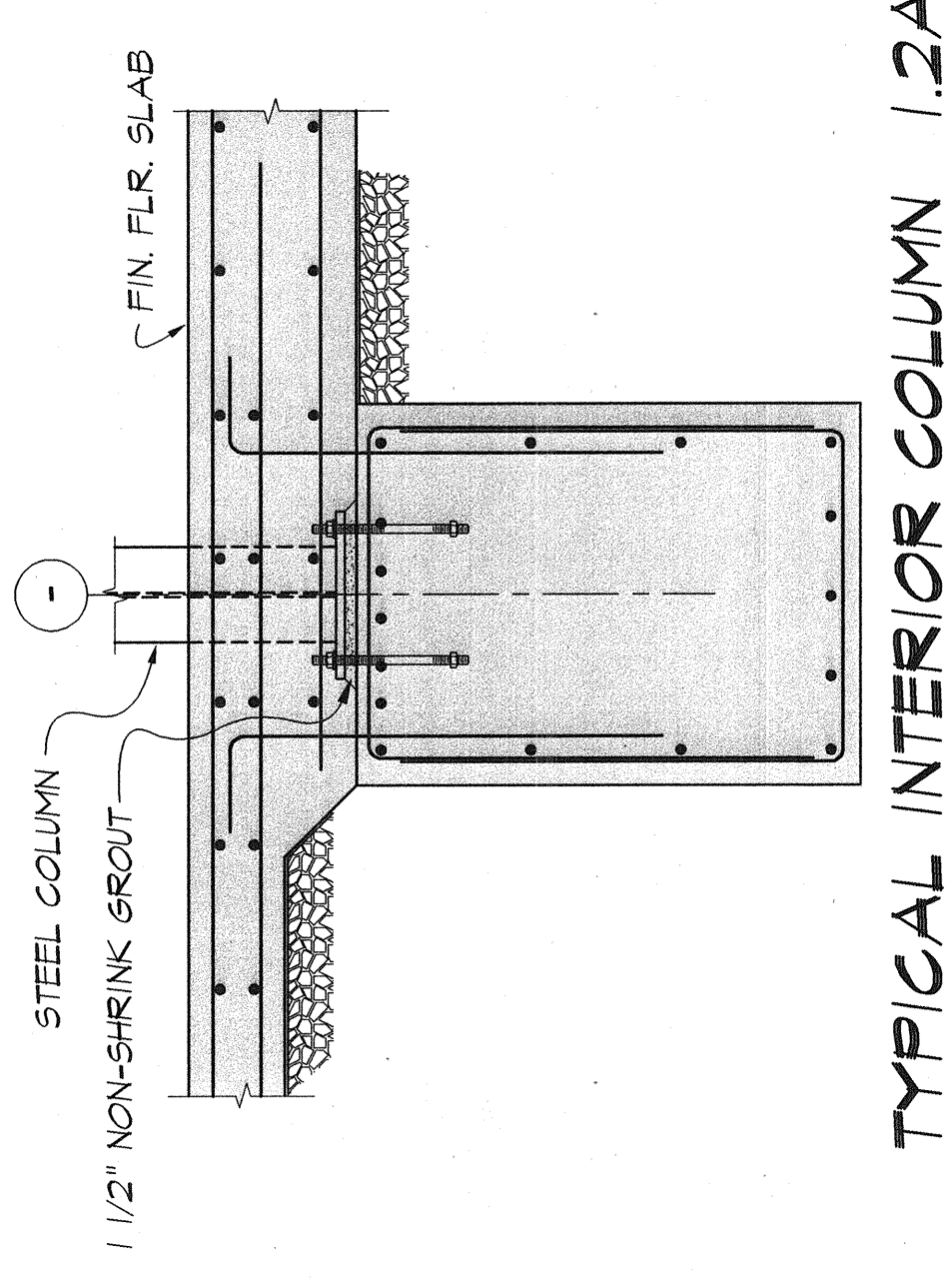
BEAM SIZE	MIN NO OF ROWS OF 3/4" A325-N BOLTS (UNO.)
M6	2
M8 & M10	2
M12 & M14	3
M16	4
M18	5
M21	6
M24	7

TYPICAL BEAM TO COLUMN AND TYPICAL GIRDER CONNECTION SCHEDULE 1.2G

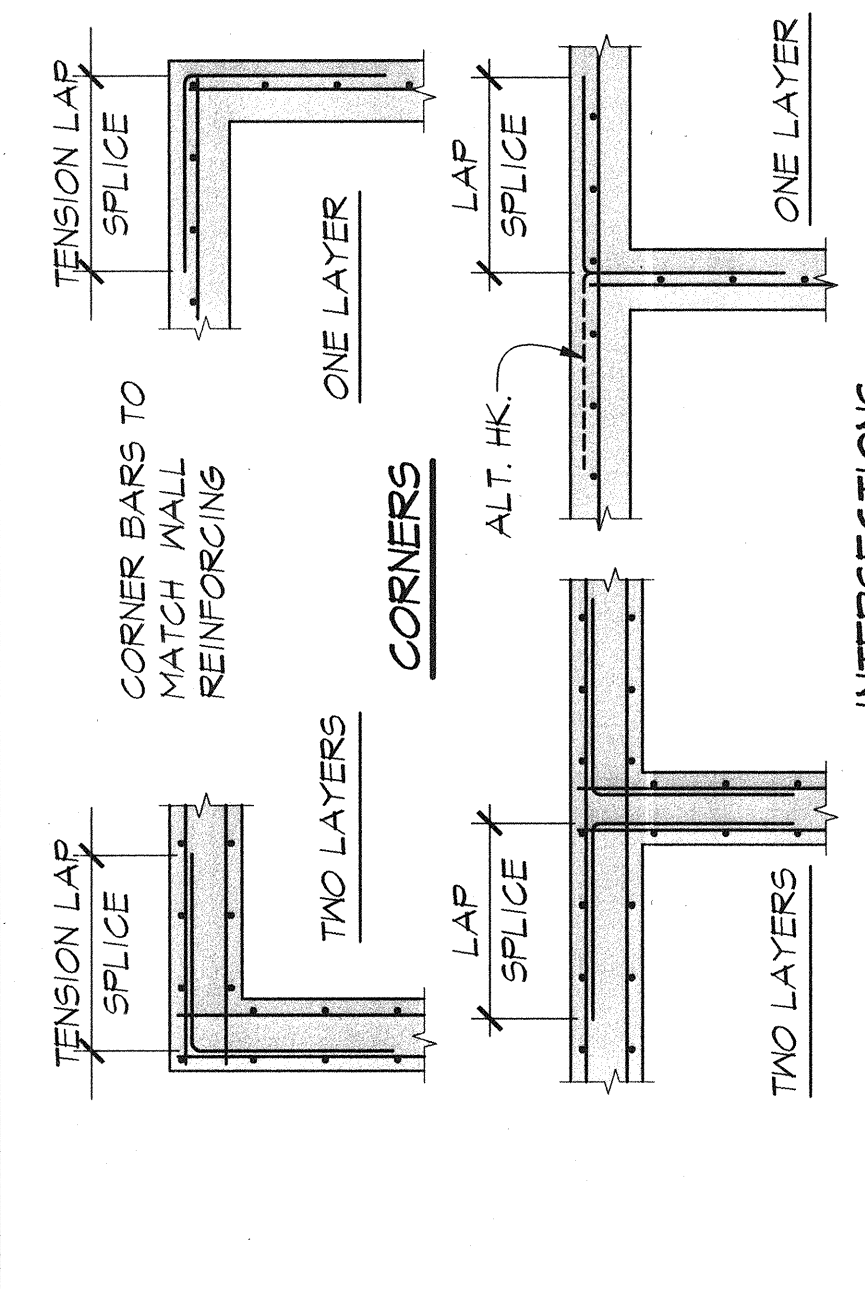


BEAM SIZE	ROWS & SIZE OF U.S. A325-N BOLTS	PLATE THICKNESS	PLATE WELD "A"
M6	2 - 3/4" φ	5/16"	1/4"
M8 / M10	2 - 3/4" φ	5/16"	1/4"
M12 / M14	3 - 3/4" φ	5/16"	1/4"
M16	4 - 3/4" φ	3/8"	5/16"
M18	5 - 3/4" φ	3/8"	5/16"
M21	6 - 3/4" φ	3/8"	5/16"
M24	7 - 3/4" φ	7/16"	3/8"

TYPICAL BEAM TO GIRDER CONNECTION SCHEDULE 1.2H



TYPICAL INTERIOR COLUMN 1.2A

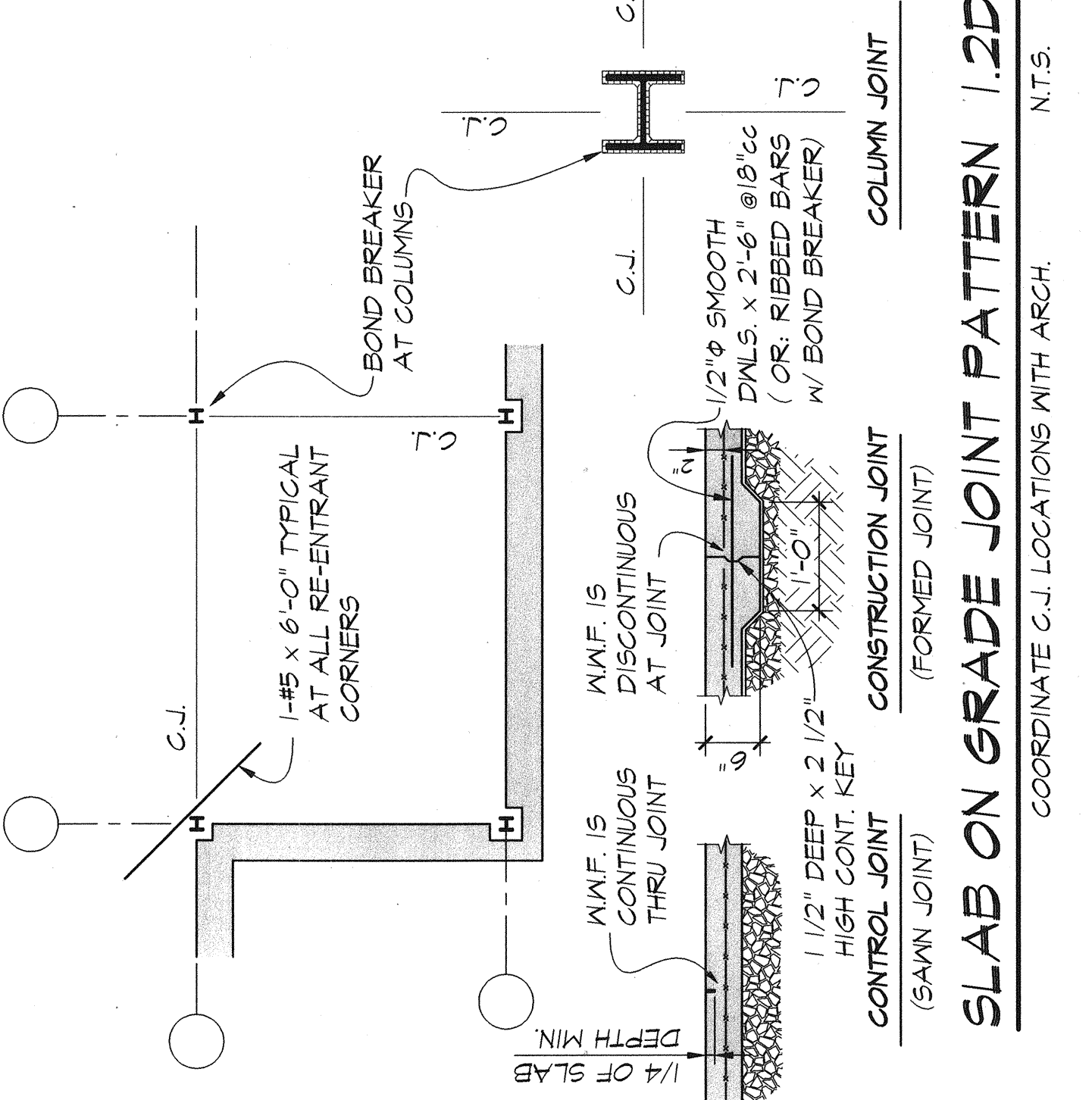


TYPICAL CONCRETE WALL REINFORCING DETAILS 1.2B

Bar Size	Tension Lap Splice "B"	Compression Lap Splice
#3	22"	12"
#4	24"	15"
#5	26"	18"
#6	28"	21"
#7	30"	24"
#8	32"	27"
#9	34"	30"
#10	36"	33"
#11	38"	36"

These values are for 3,000 psi Normal Weight Concrete. Increase lap length by 30% for lightweight concrete. All tension lap splices shall be type "B" UNO. Increase lap length by 30% for Top Bars in beams, walls and footings. Grade 60 Uncoated reinforcing.

REINFORCING SPLICE SCHEDULE 1.2C



SLAB ON GRADE JOINT PATTERN 1.2D
COORDINATE C.J. LOCATIONS WITH ARCH. N.T.S.

NOT USED

SECTION 1.2E / 52.1
3/4" = 1'-0"