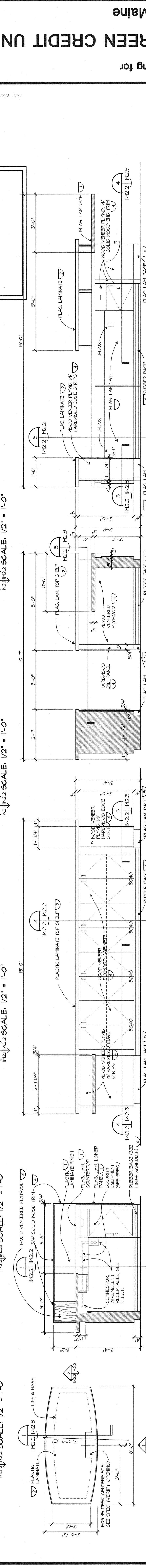
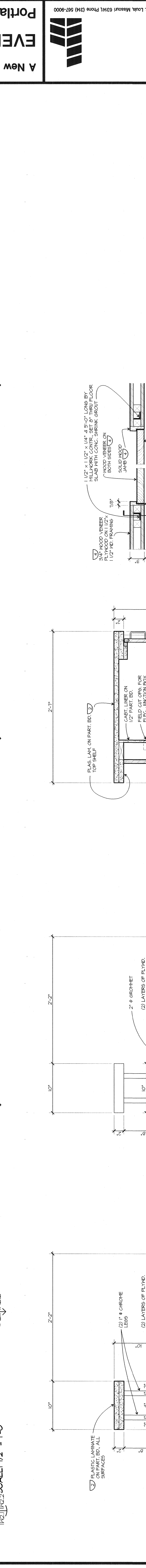


1	2	3	4	5	6
TELLER, GREETERS, FORMS, DESK, COFFEE/INTERNET, & MARKETING TV CABT.	TELLER, GREETERS, FORMS, DESK, COFFEE/INTERNET, & MARKETING TV CABT.	TELLER, GREETERS, FORMS, DESK, COFFEE/INTERNET, & MARKETING TV CABT.	TELLER, GREETERS, FORMS, DESK, COFFEE/INTERNET, & MARKETING TV CABT.	TELLER, GREETERS, FORMS, DESK, COFFEE/INTERNET, & MARKETING TV CABT.	TELLER, GREETERS, FORMS, DESK, COFFEE/INTERNET, & MARKETING TV CABT.
1	2	3	4	5	6
PLASTIC LAMINATE	PLASTIC LAMINATE	PLASTIC LAMINATE	PLASTIC LAMINATE	PLASTIC LAMINATE	PLASTIC LAMINATE
FORMS, GREETERS, FORMS, DESK, COFFEE/INTERNET, & MARKETING TV CABT.	FORMS, GREETERS, FORMS, DESK, COFFEE/INTERNET, & MARKETING TV CABT.	FORMS, GREETERS, FORMS, DESK, COFFEE/INTERNET, & MARKETING TV CABT.	FORMS, GREETERS, FORMS, DESK, COFFEE/INTERNET, & MARKETING TV CABT.	FORMS, GREETERS, FORMS, DESK, COFFEE/INTERNET, & MARKETING TV CABT.	FORMS, GREETERS, FORMS, DESK, COFFEE/INTERNET, & MARKETING TV CABT.

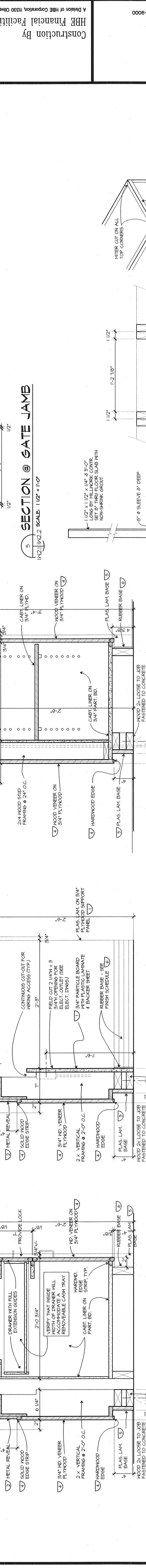
FORMS DESK - ELEV. 1/2" = 1'-0" SCALE



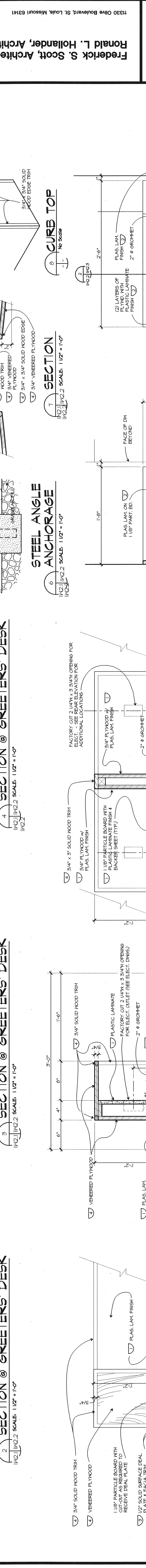
TELLER - ELEV. 1/2" = 1'-0" SCALE



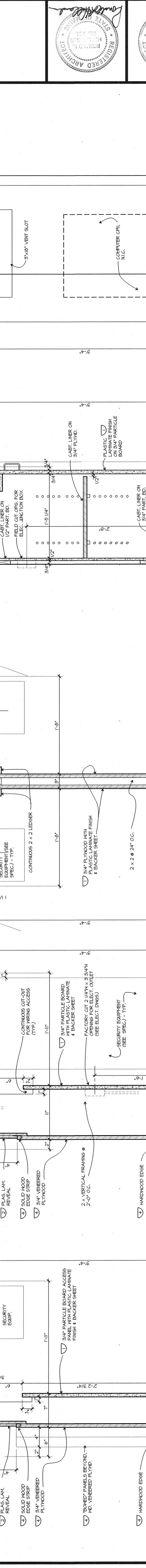
FORMS DESK - ELEV. 1/2" = 1'-0" SCALE



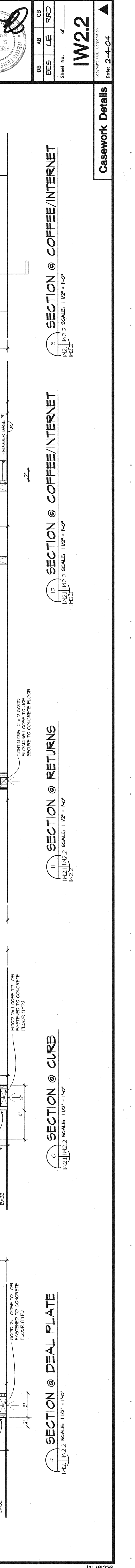
GREETERS' DESK - ELEV. 1/2" = 1'-0" SCALE



COFFEE/INTERNET - ELEV. 1/2" = 1'-0" SCALE



COFFEE/INTERNET - ELEV. 1/2" = 1'-0" SCALE



SECTION @ GATE JAMB 1/2" = 1'-0" SCALE

SECTION @ GREETERS' DESK 1/2" = 1'-0" SCALE

SECTION @ GREETERS' DESK 1/2" = 1'-0" SCALE

SECTION @ RETURNS 1/2" = 1'-0" SCALE

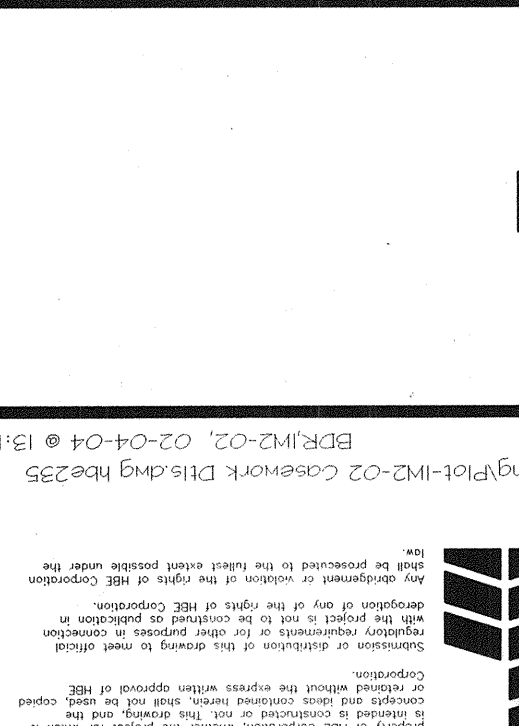
SECTION @ CURB 1/2" = 1'-0" SCALE

SECTION @ DEAL PLATE 1/2" = 1'-0" SCALE

SECTION @ CURB TOP 1/2" = 1'-0" SCALE

SECTION @ COFFEE/INTERNET 1/2" = 1'-0" SCALE

SECTION @ COFFEE/INTERNET 1/2" = 1'-0" SCALE



A New Building for
EVERGREEN CREDIT UNION
 Portland, Maine

Construction By
HBF Financial Facilities
 A Division of HBE Corporation, 1530 Olive Boulevard, St. Louis, Missouri 63141, Phone (314) 567-9000

Frederick S. Scott, Architect
Ronald L. Hollander, Architect
 1130 Olive Boulevard, St. Louis, Missouri 63141 (314) 567-9000

Professional seals and stamps for the architect and contractor, including the name **IW2.2** and project details.