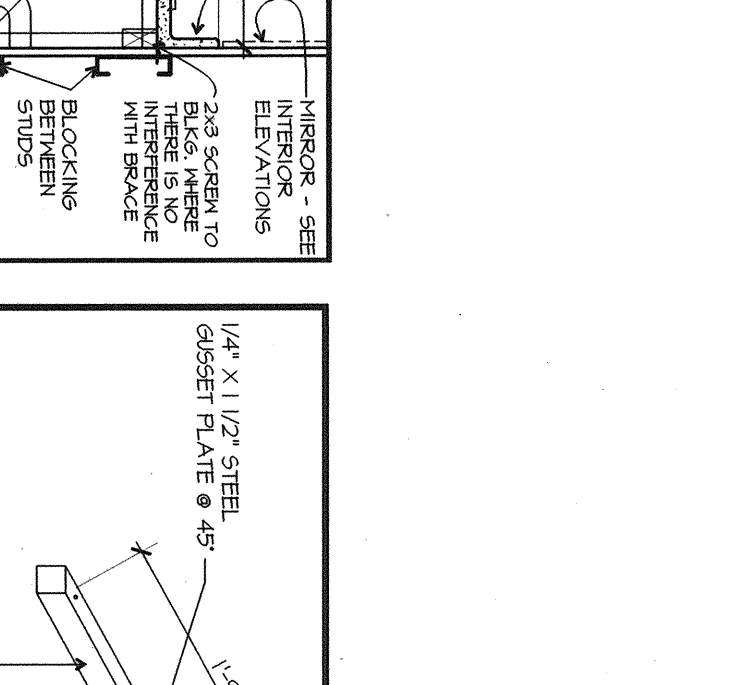
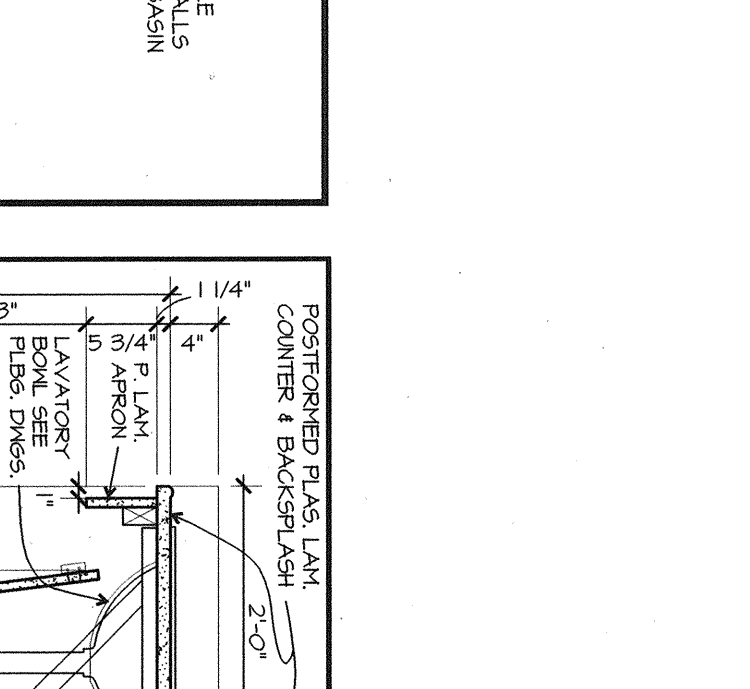
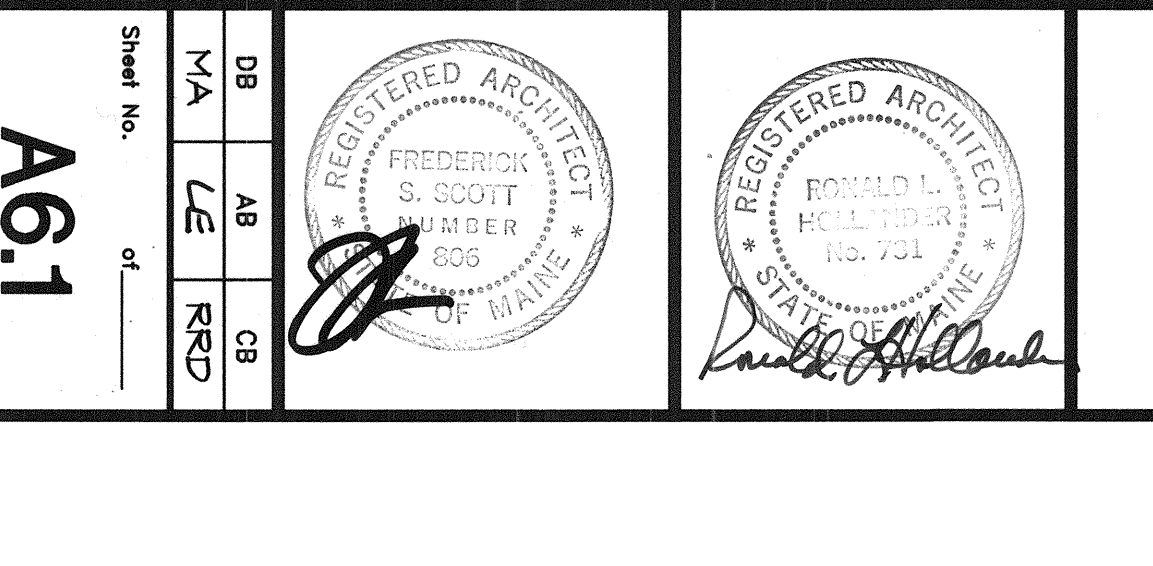
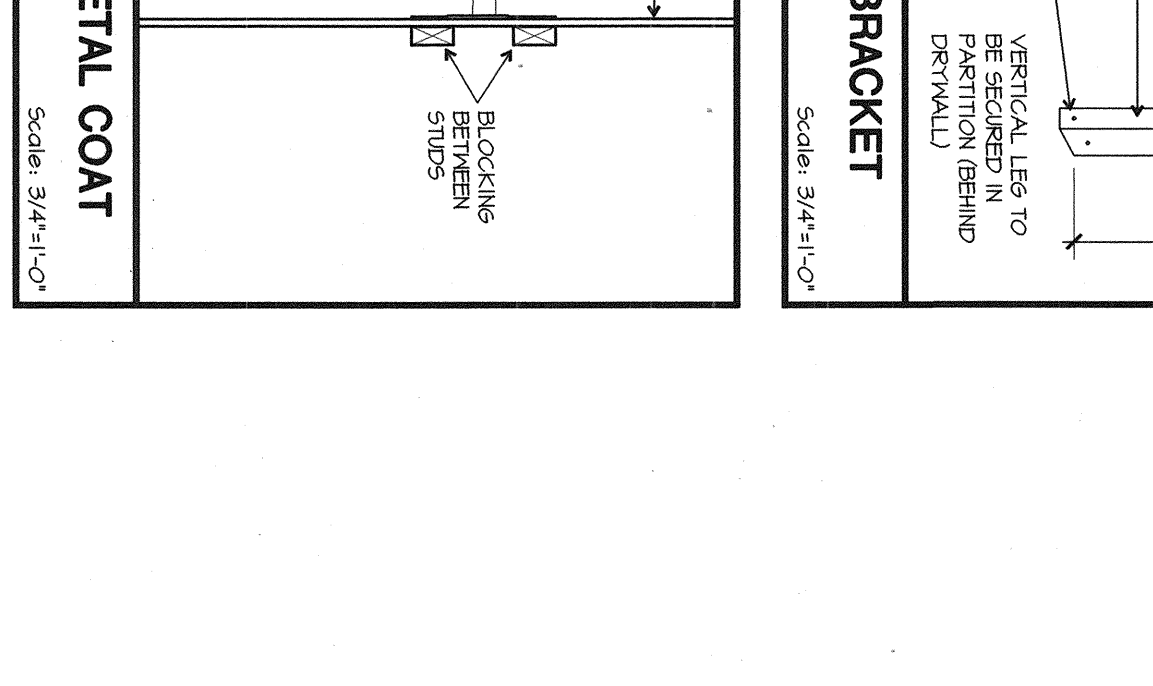
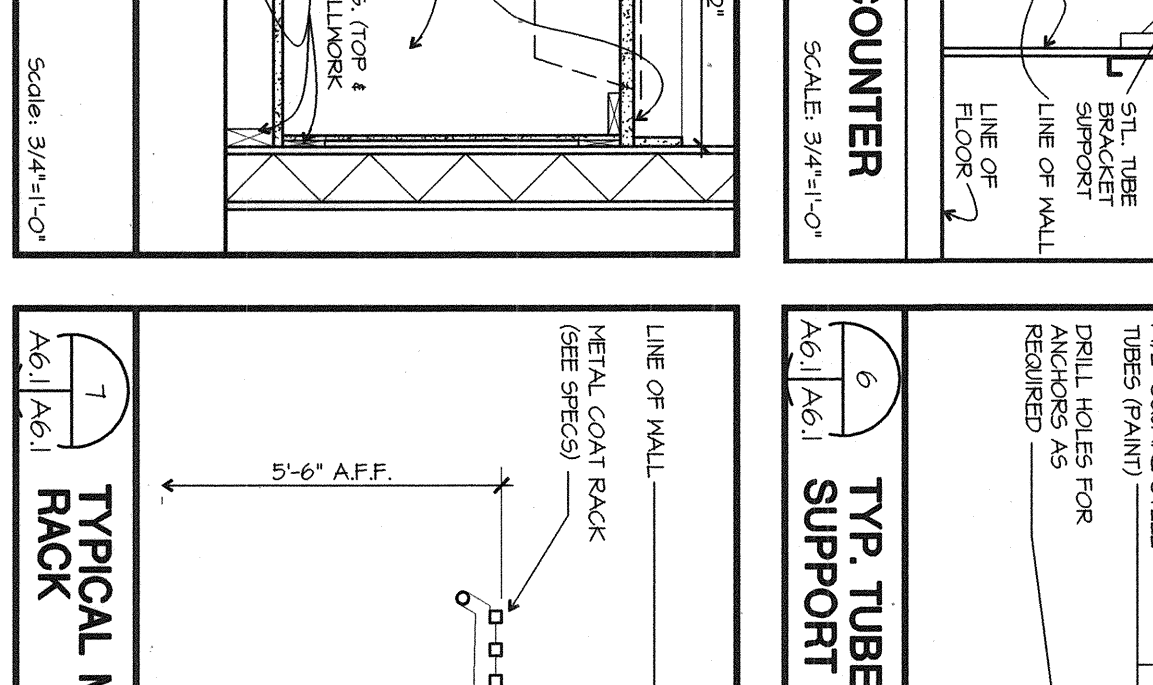
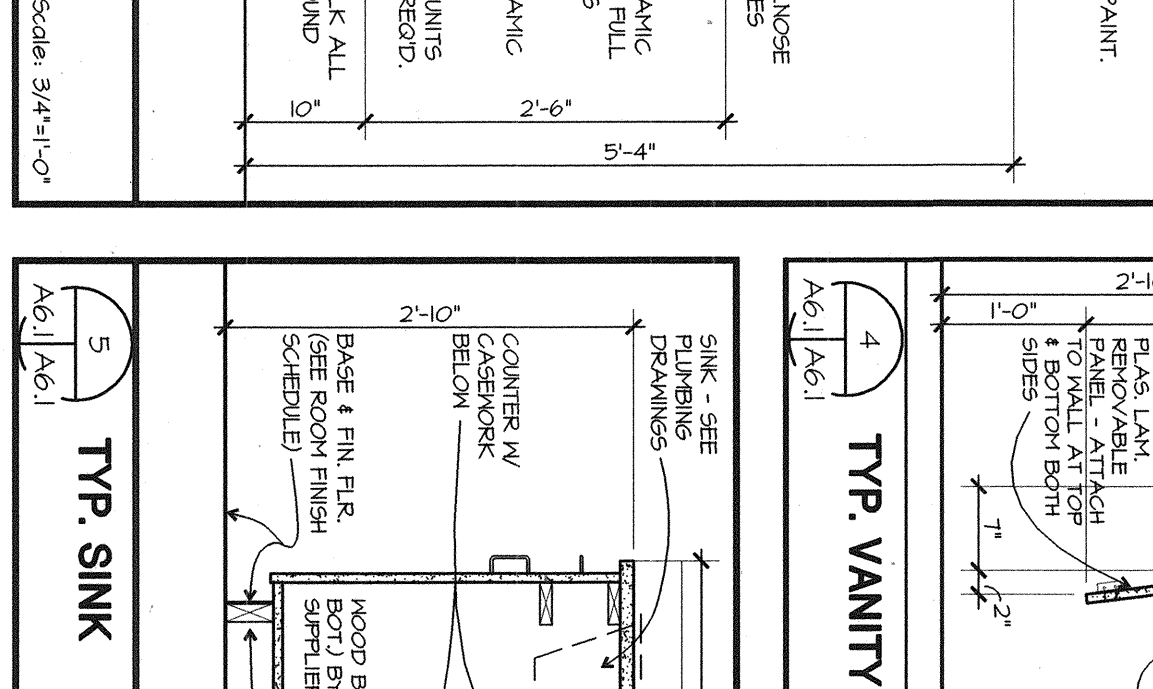
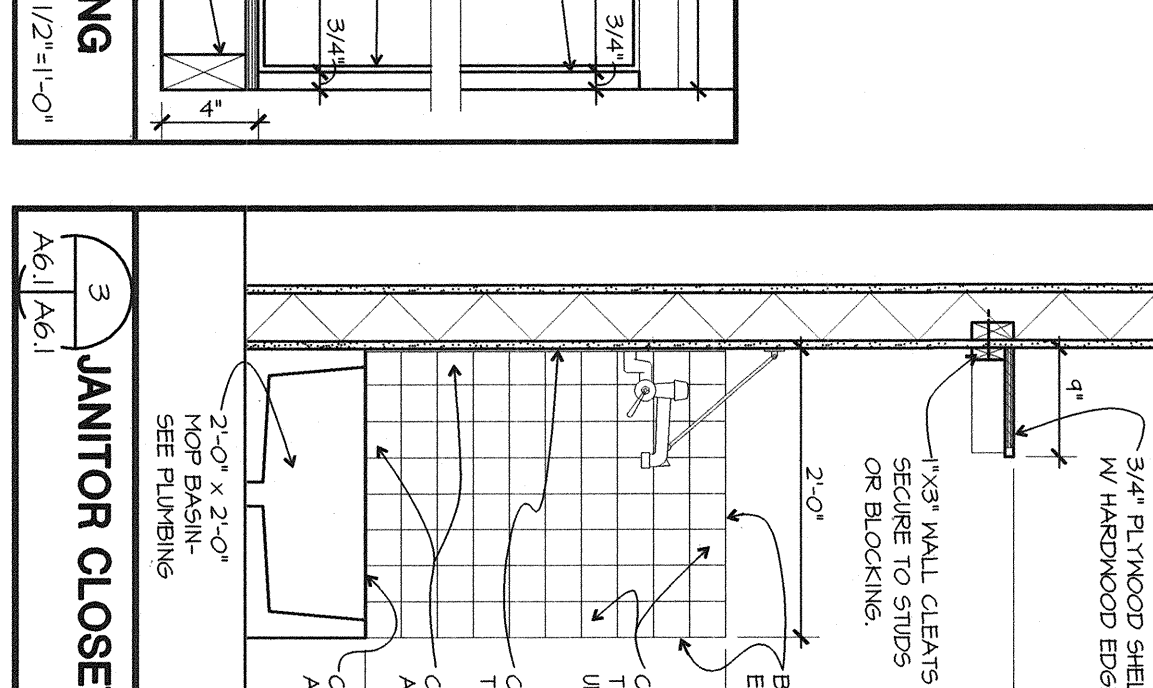
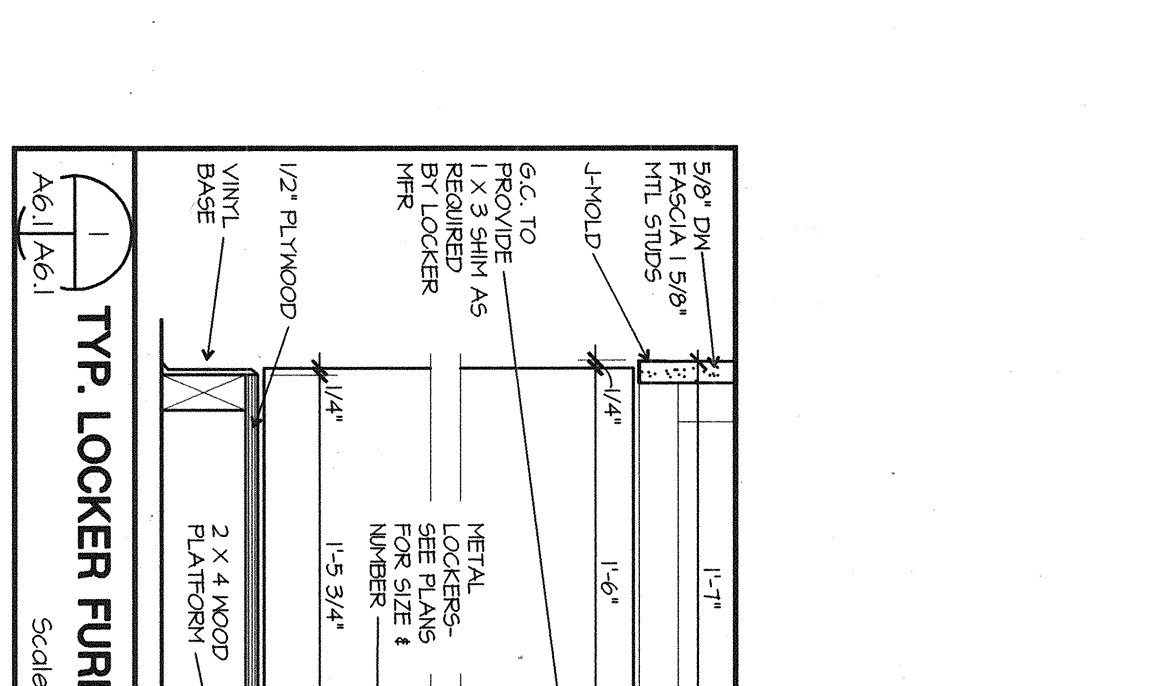
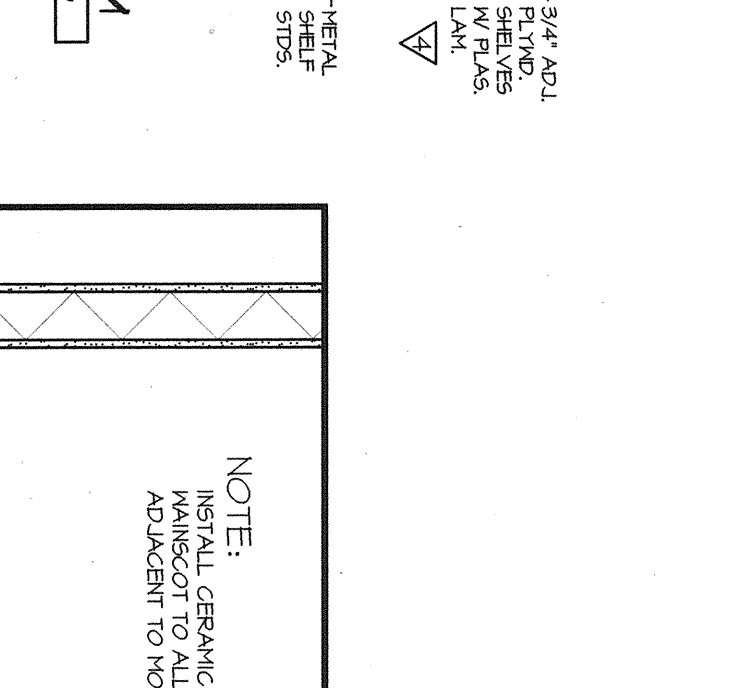
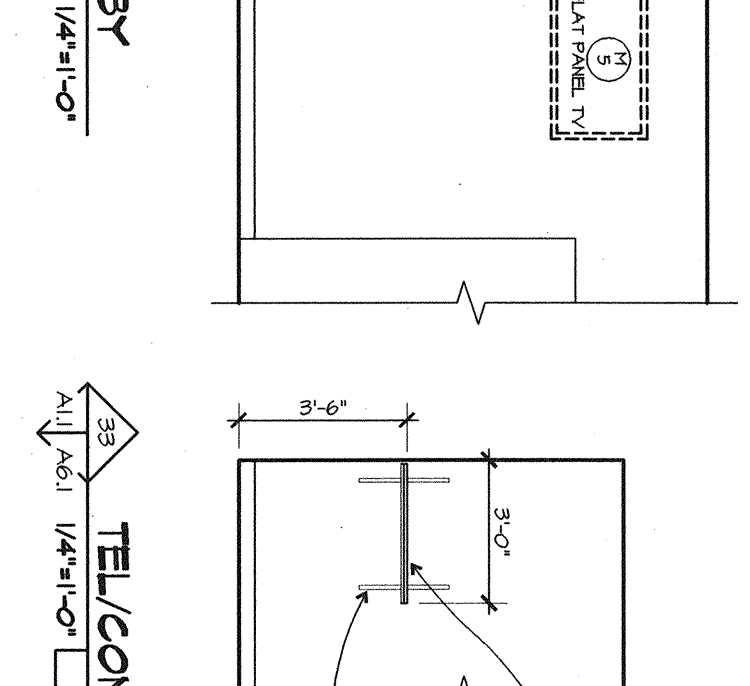
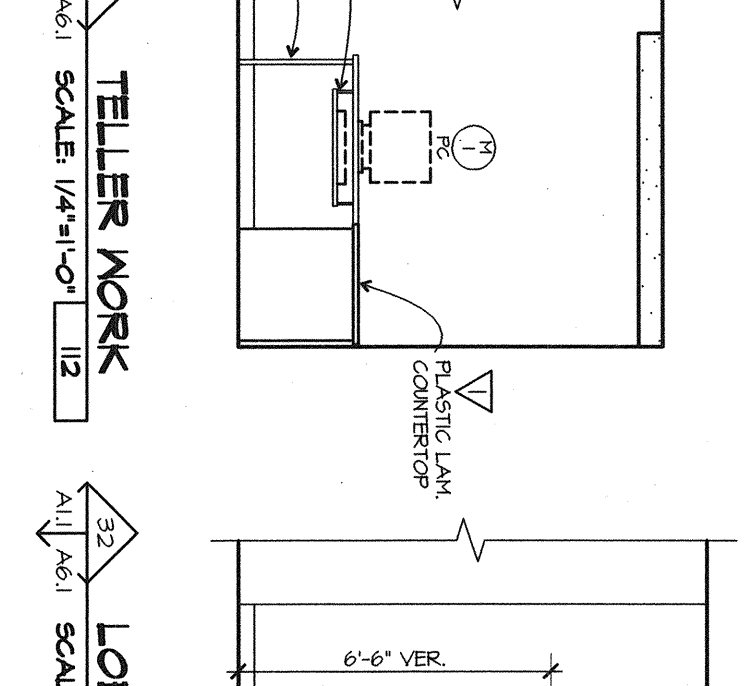
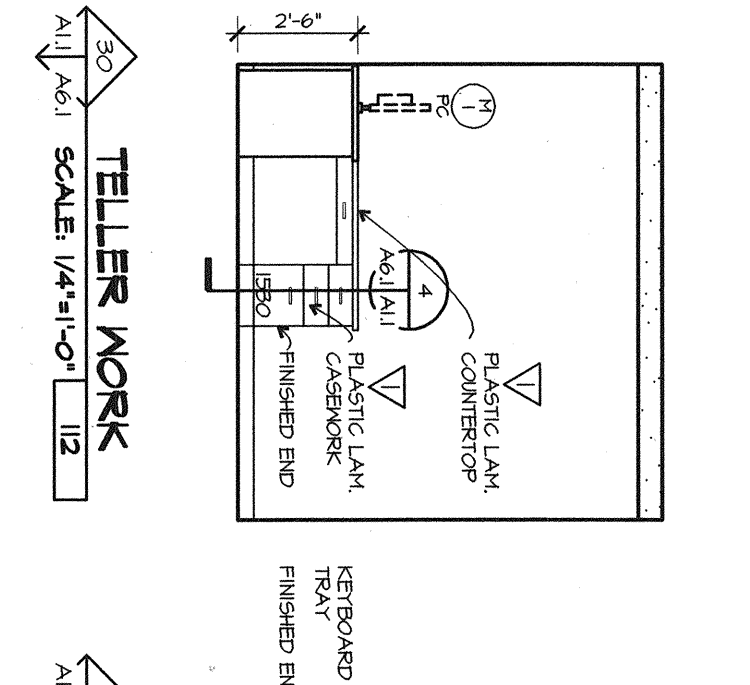
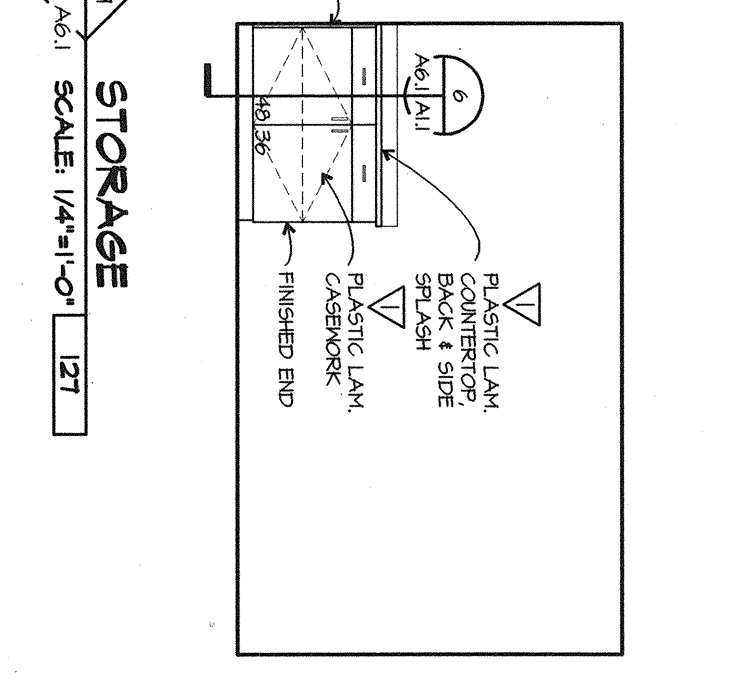
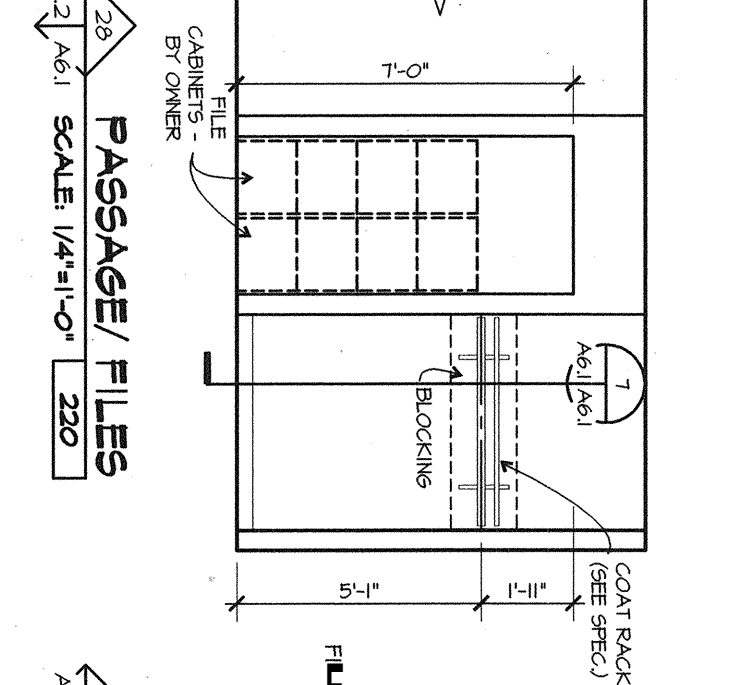
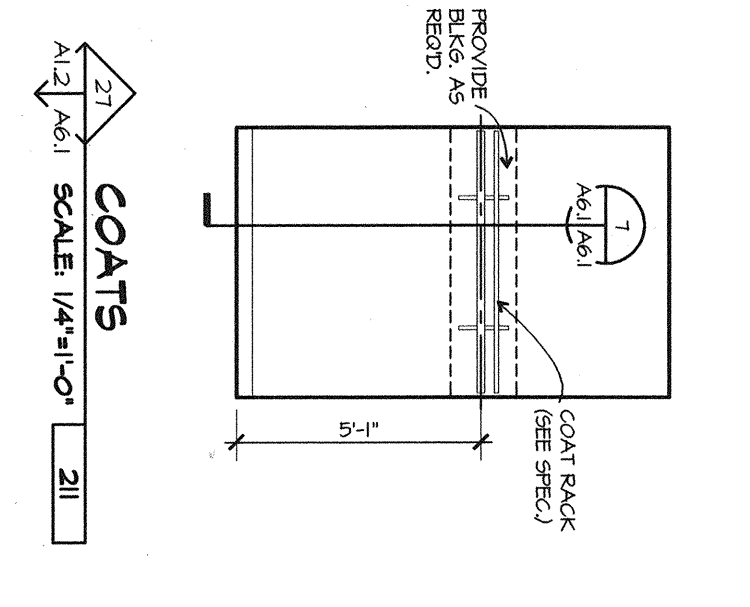
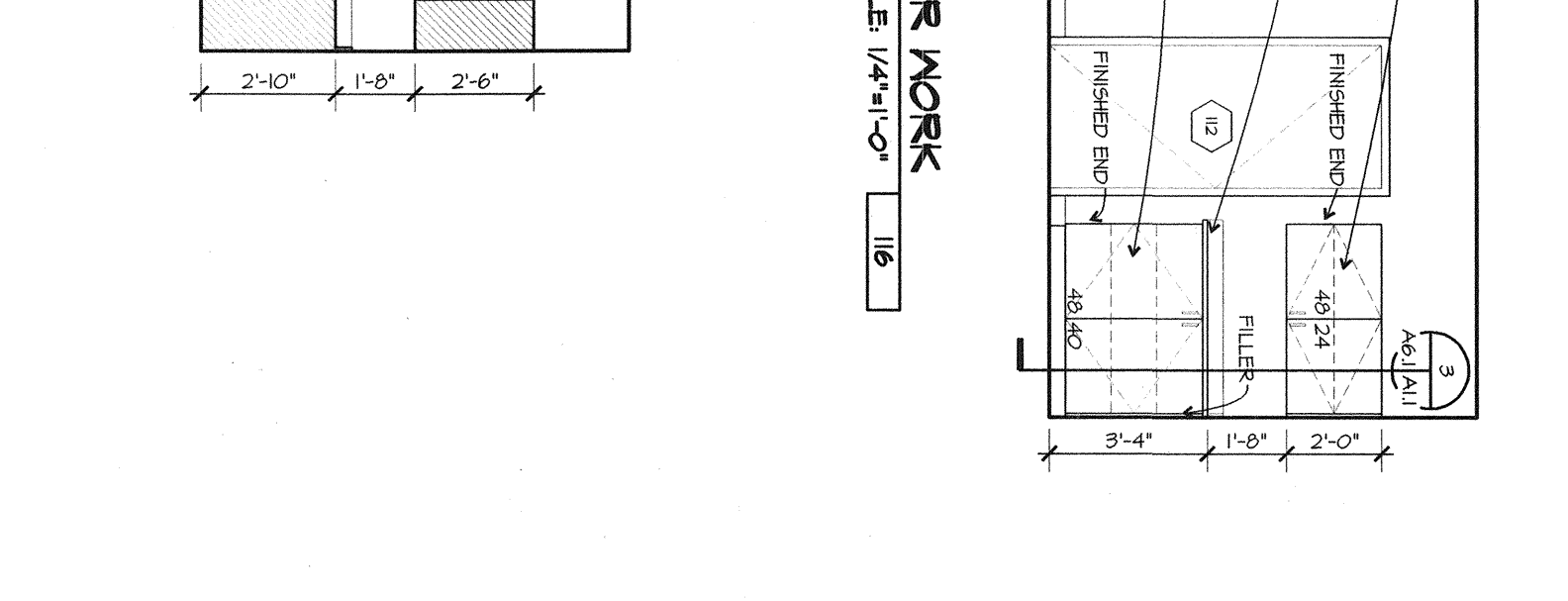
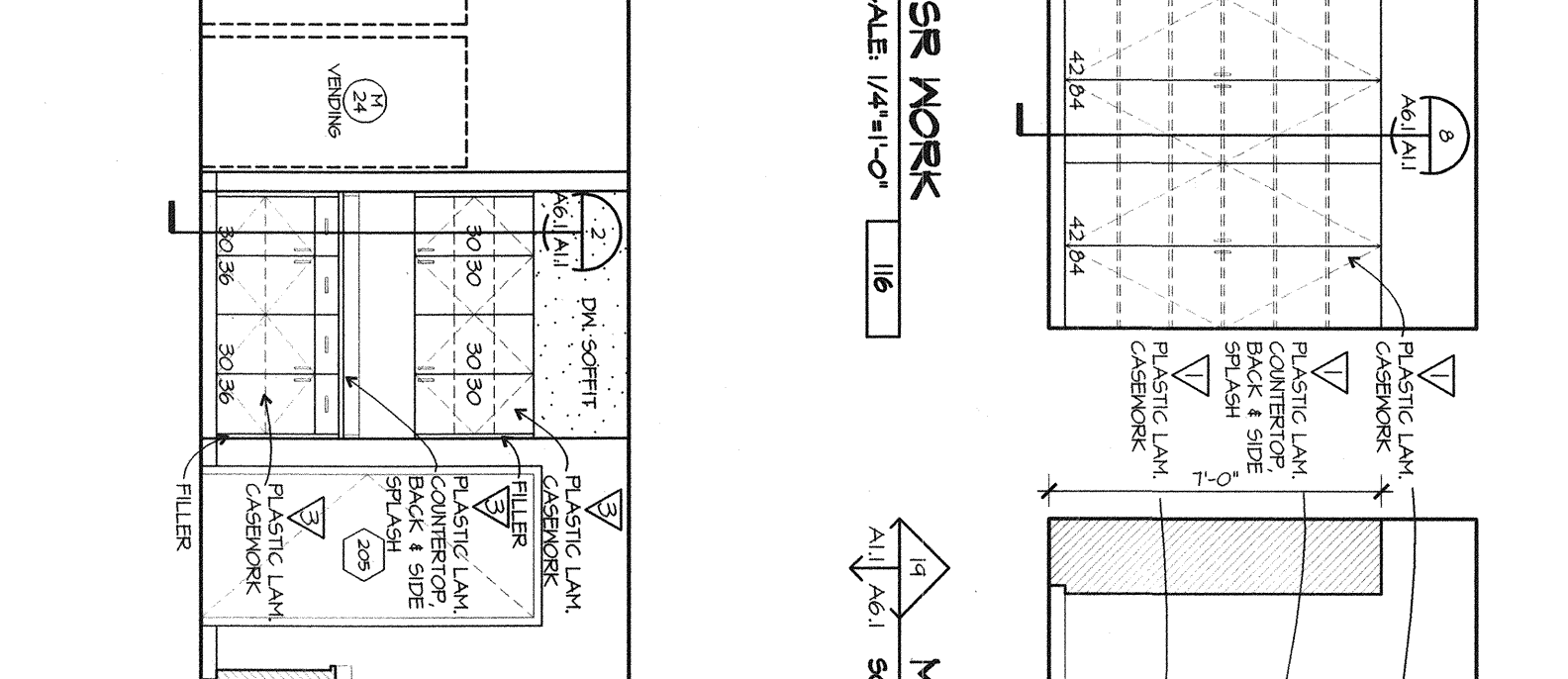
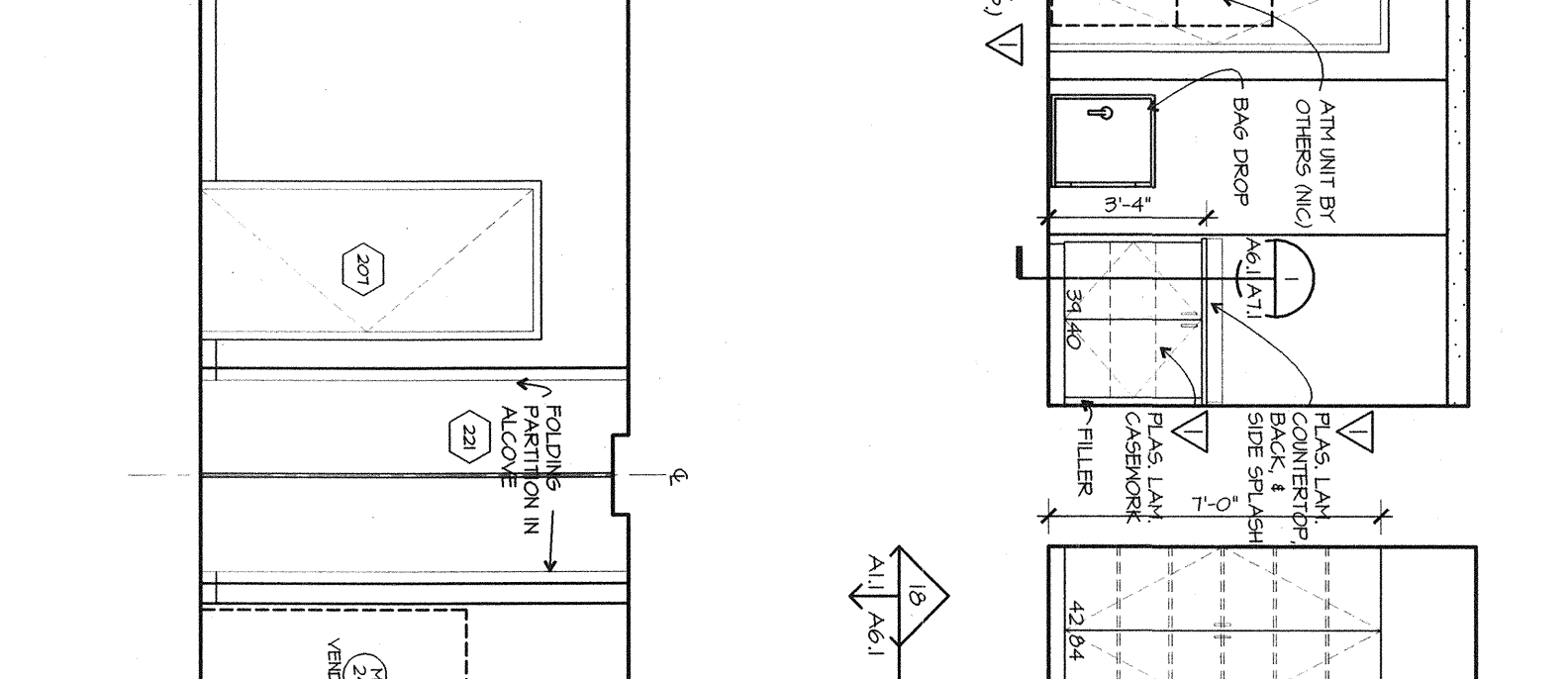
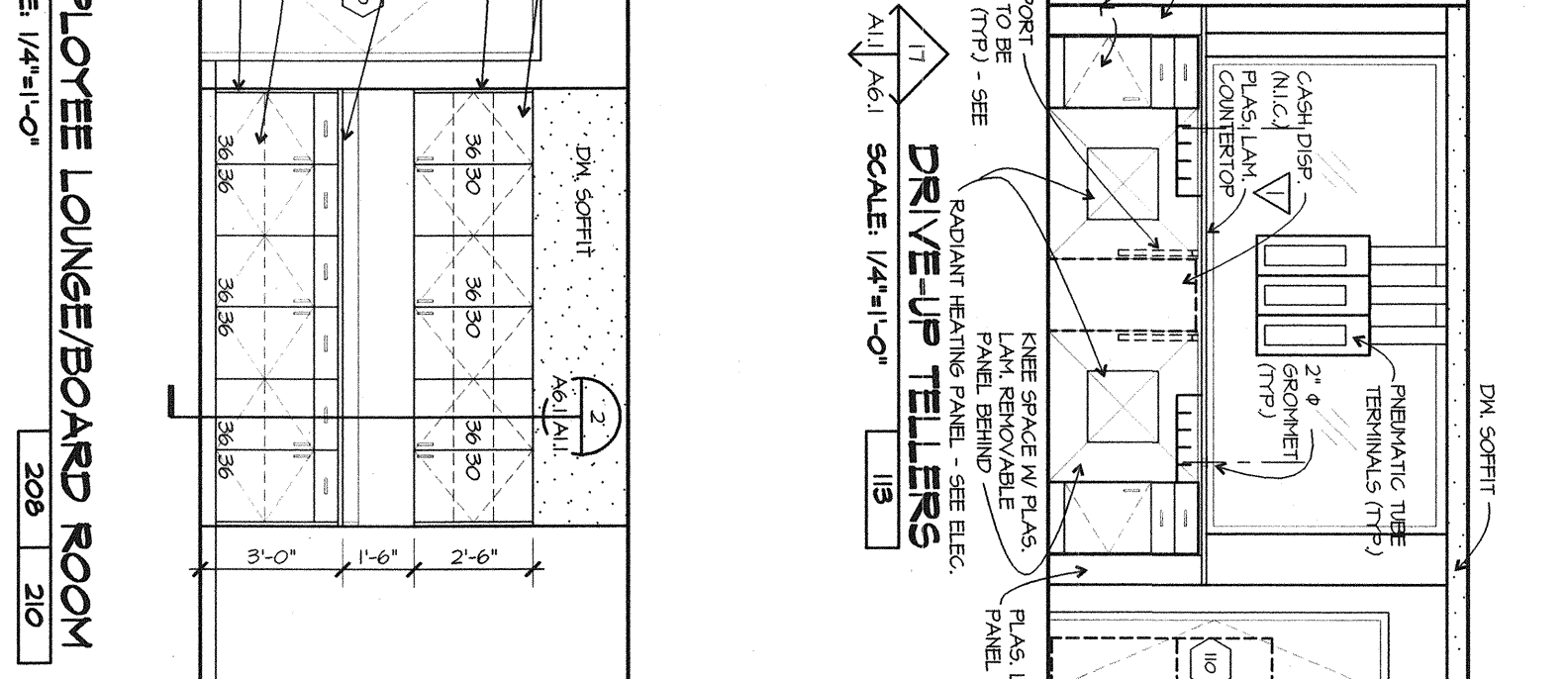
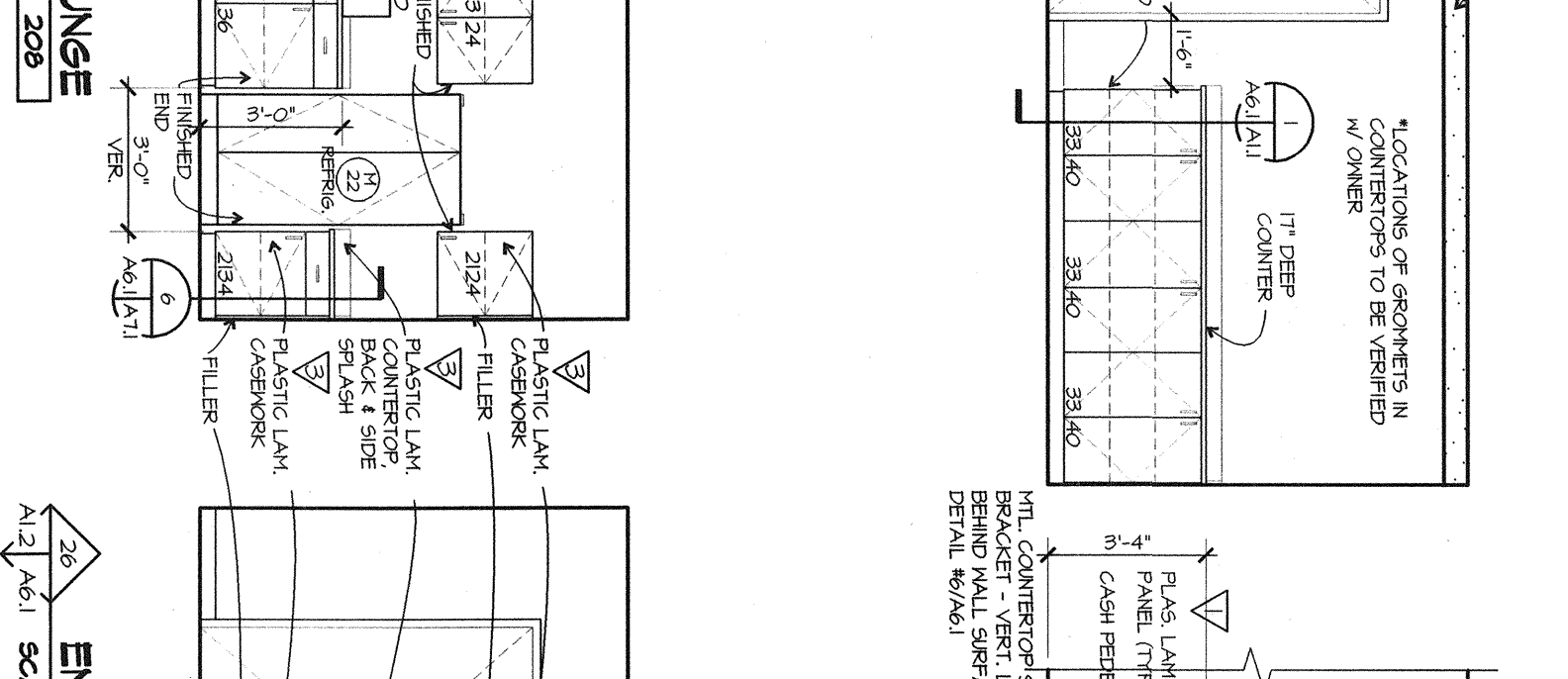
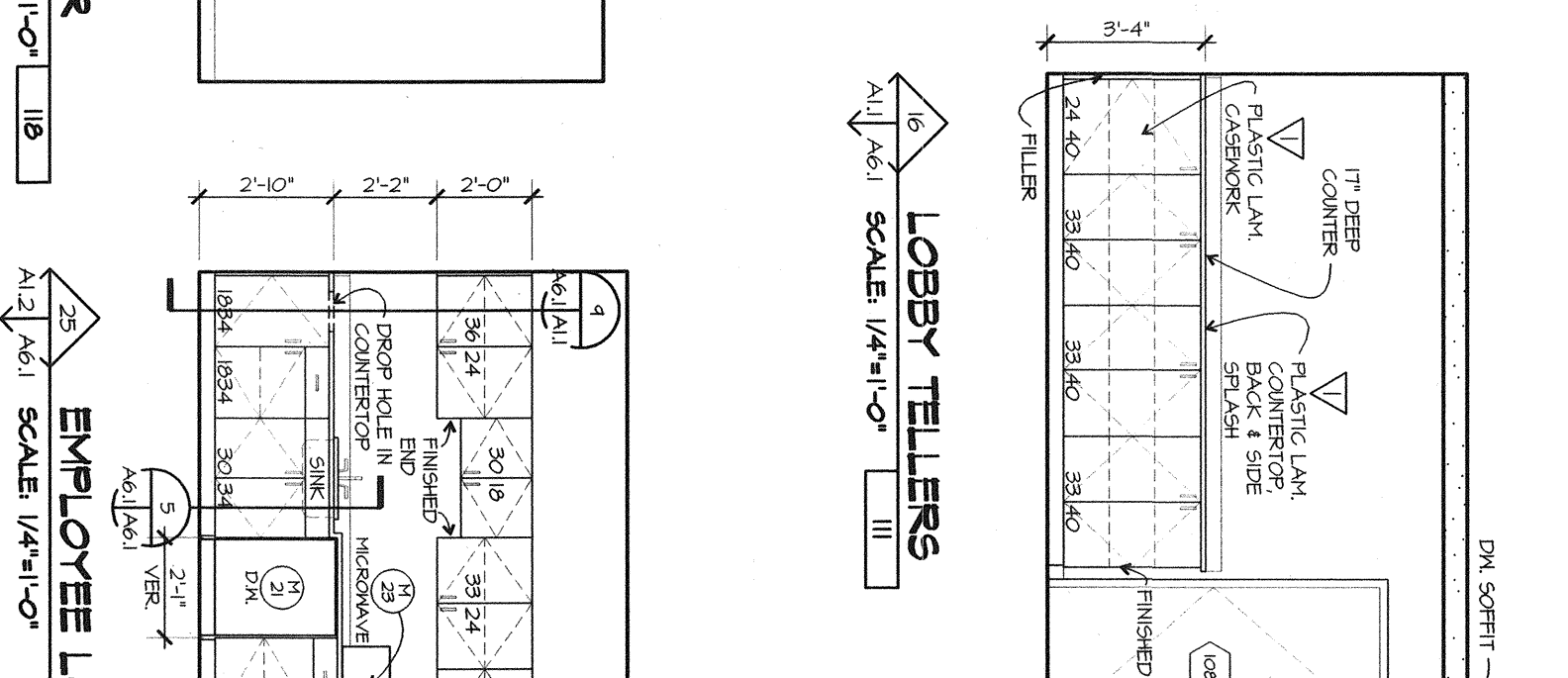
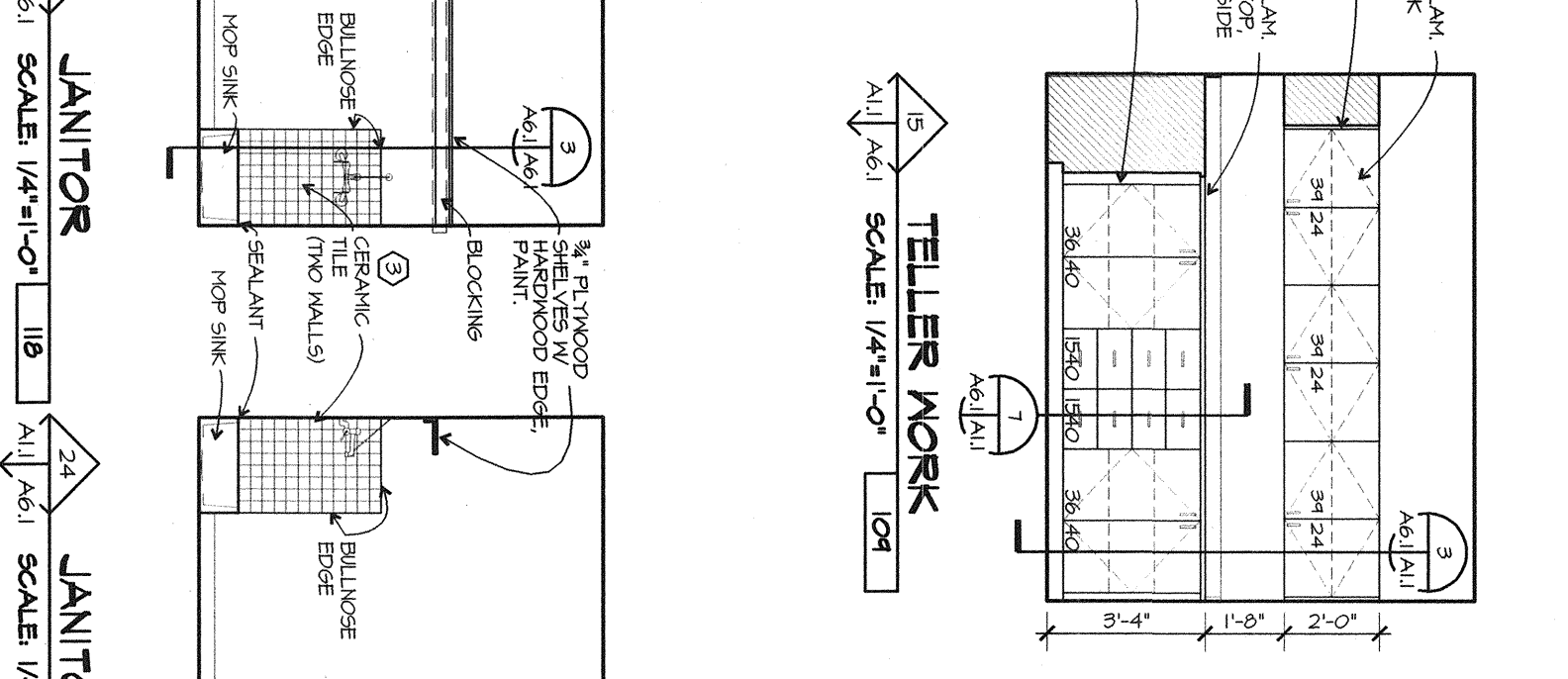
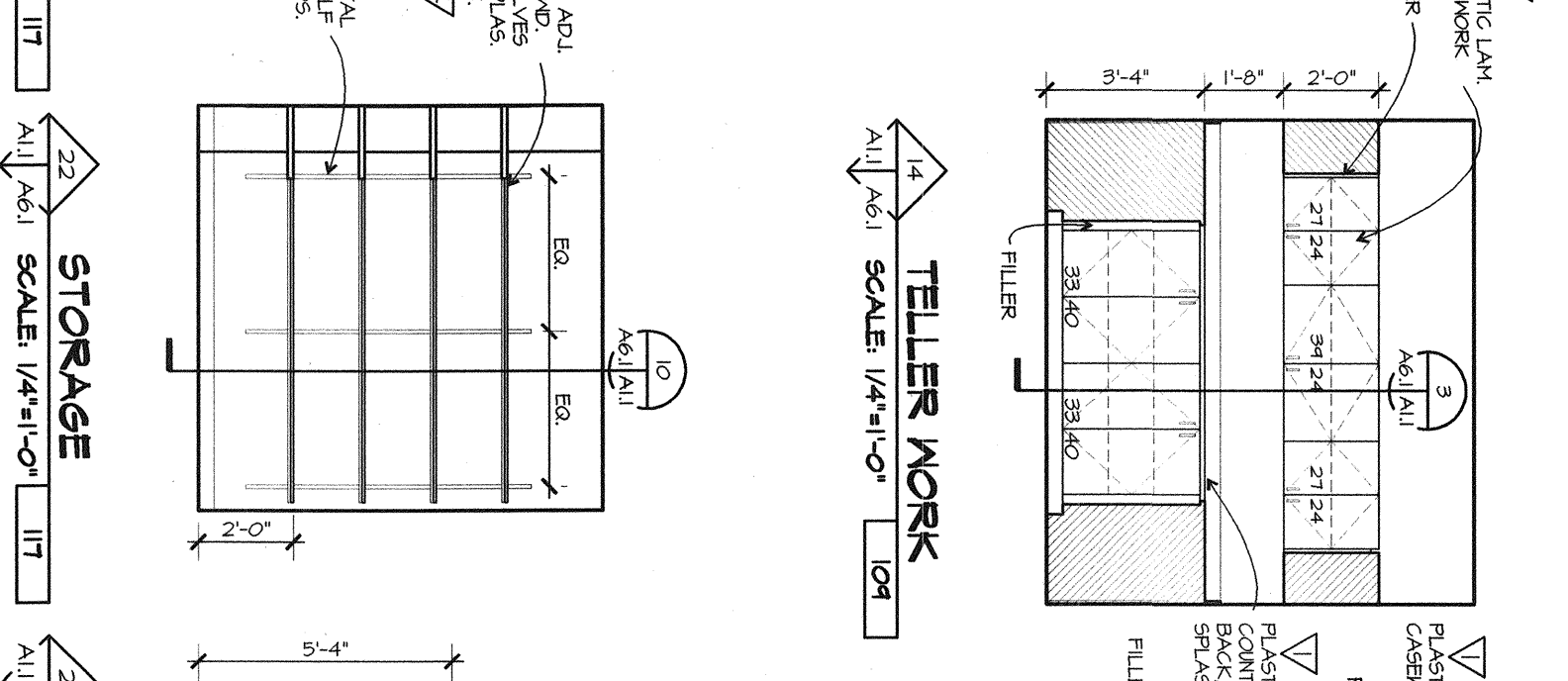
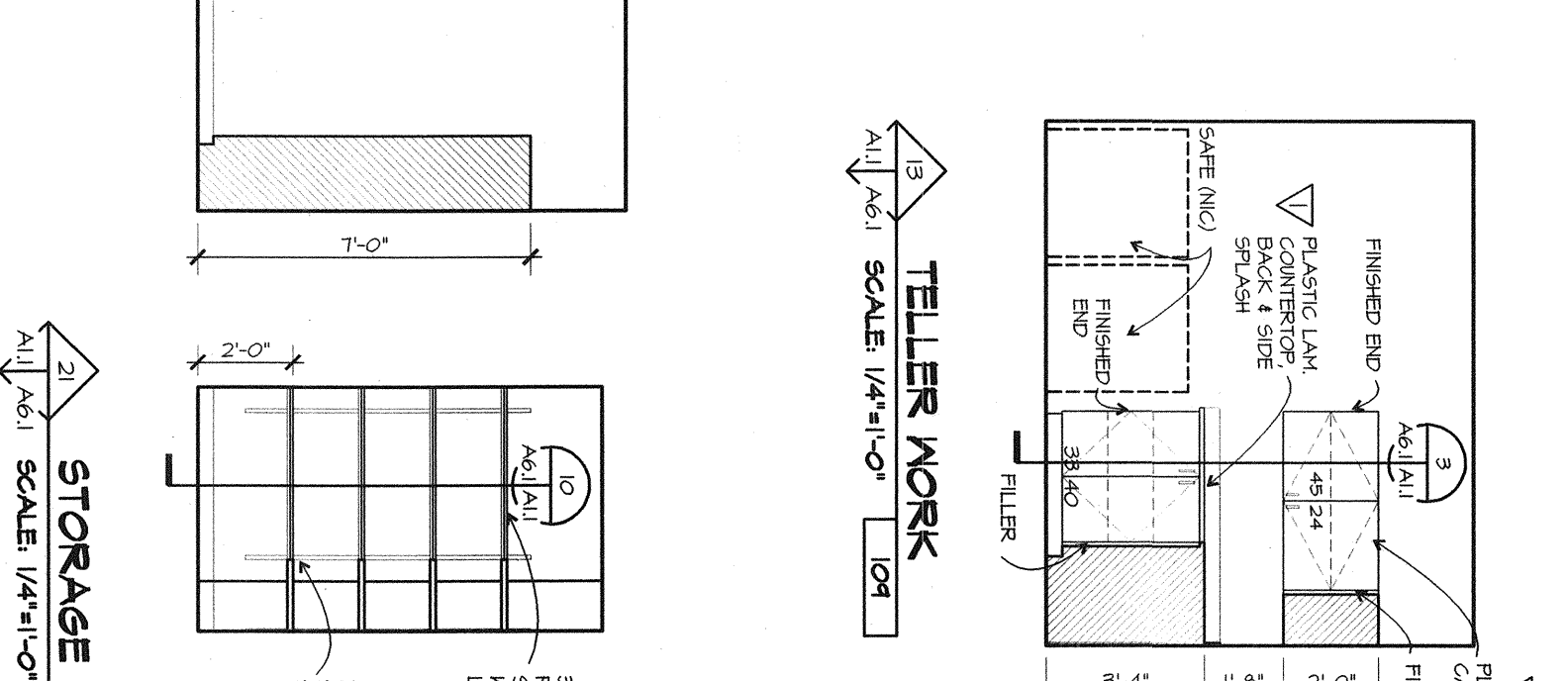
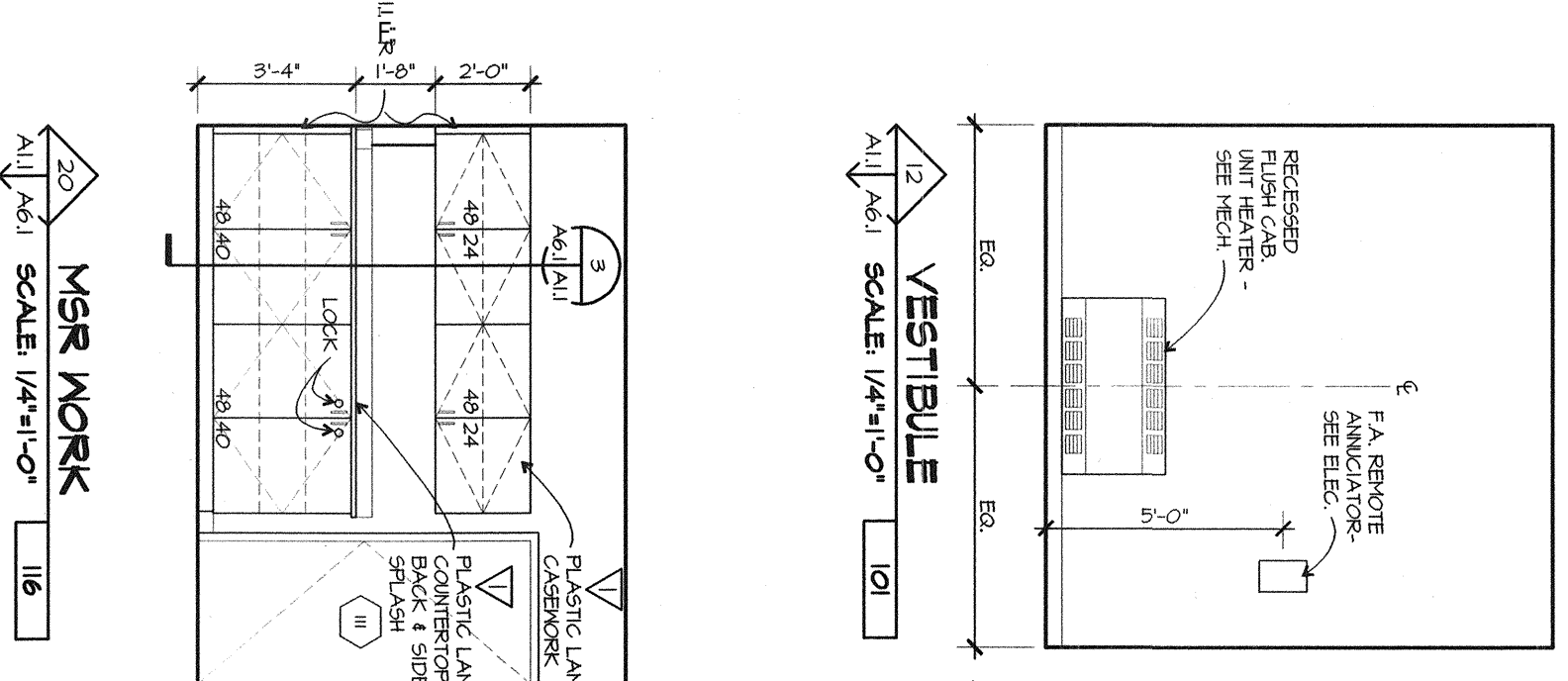
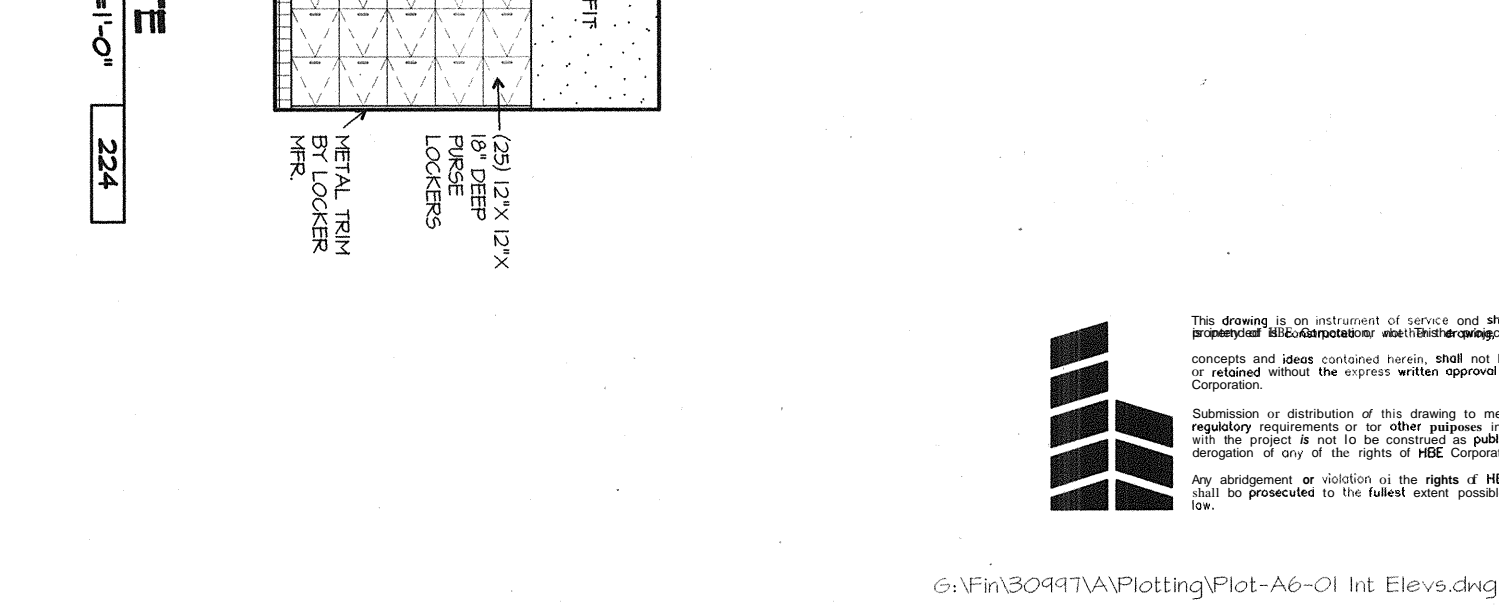
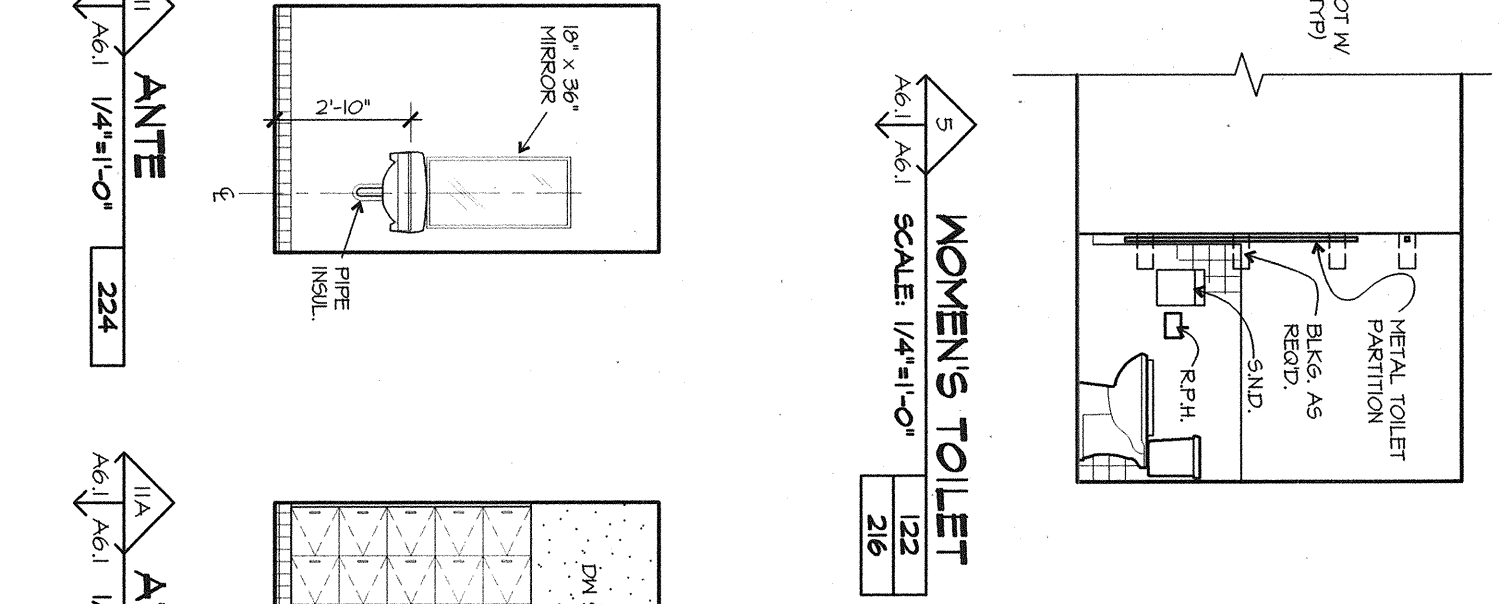
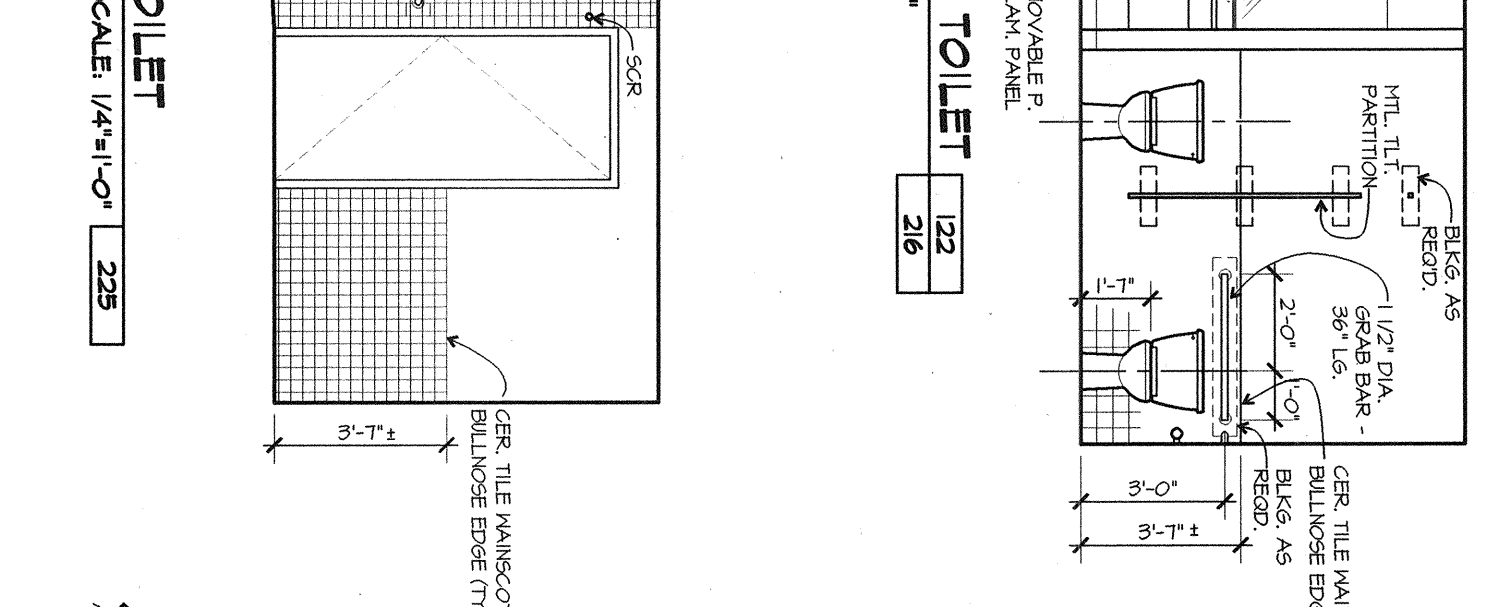
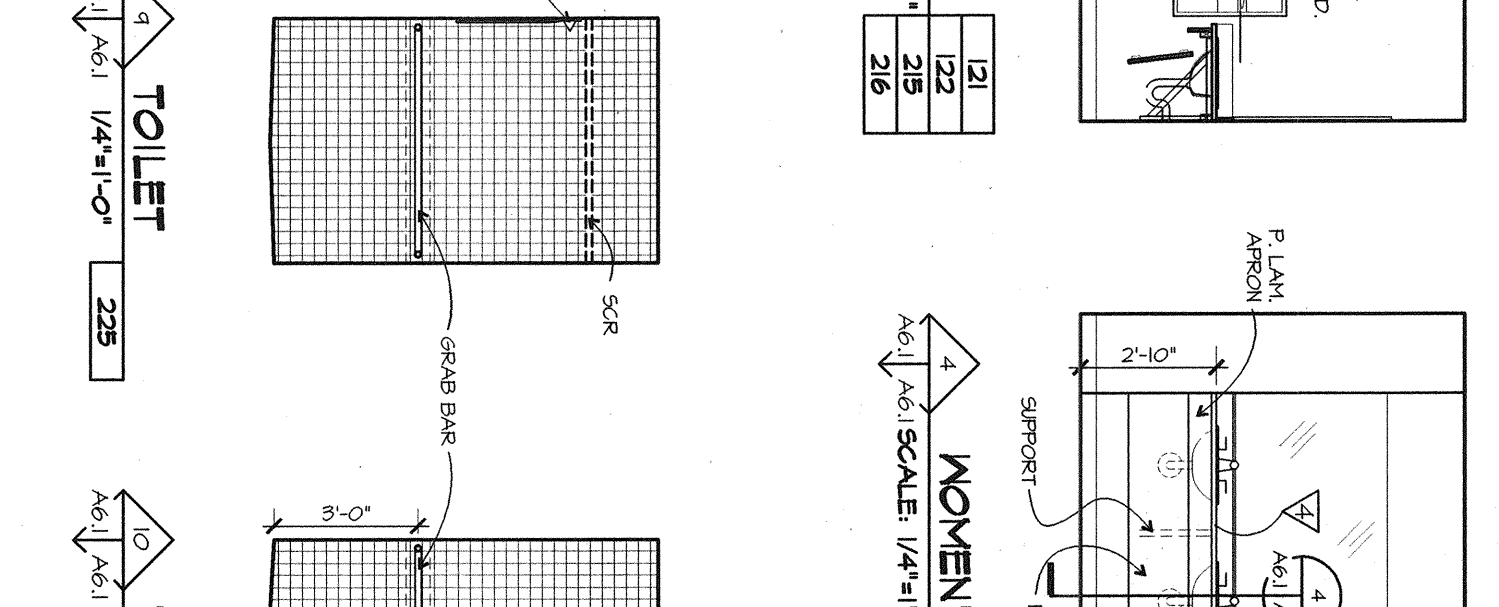
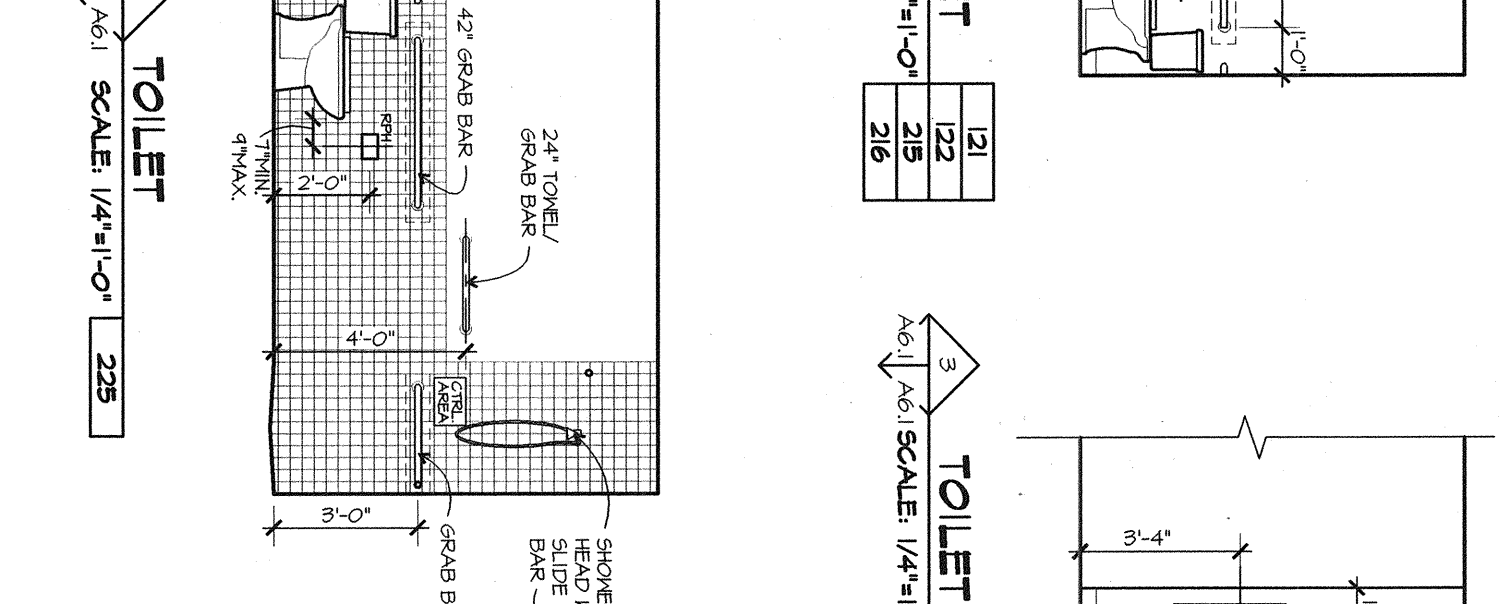
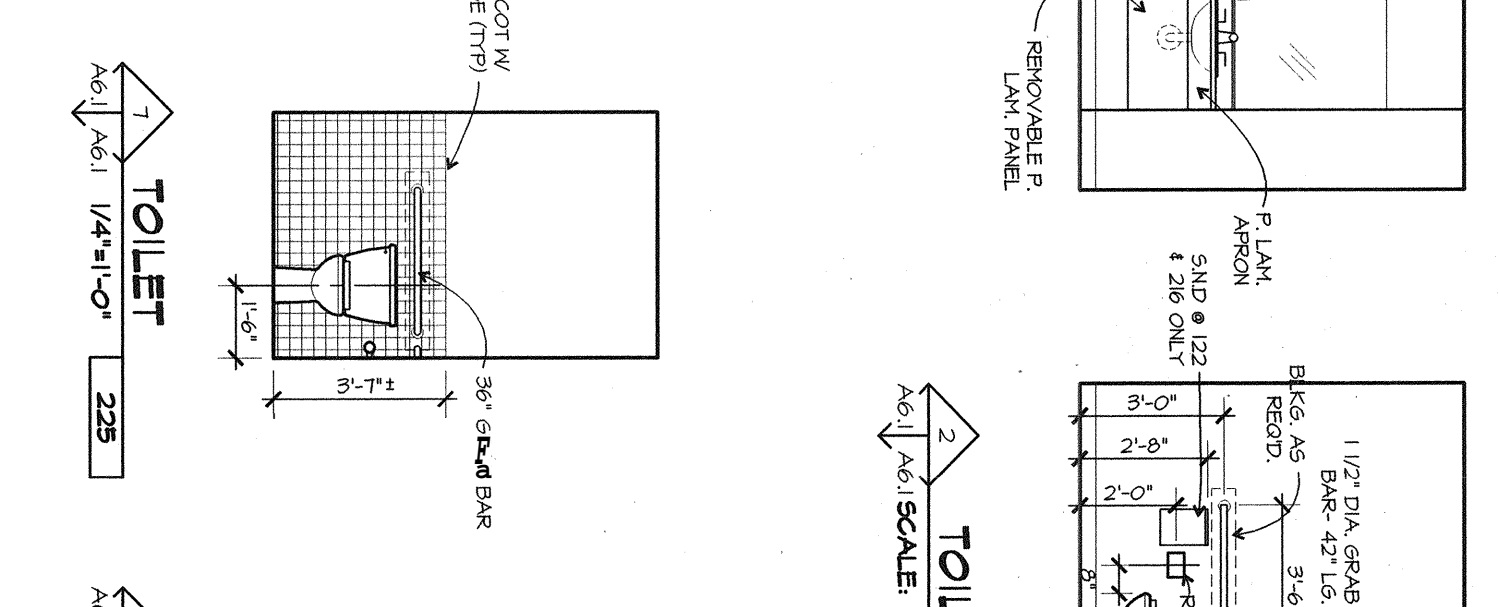
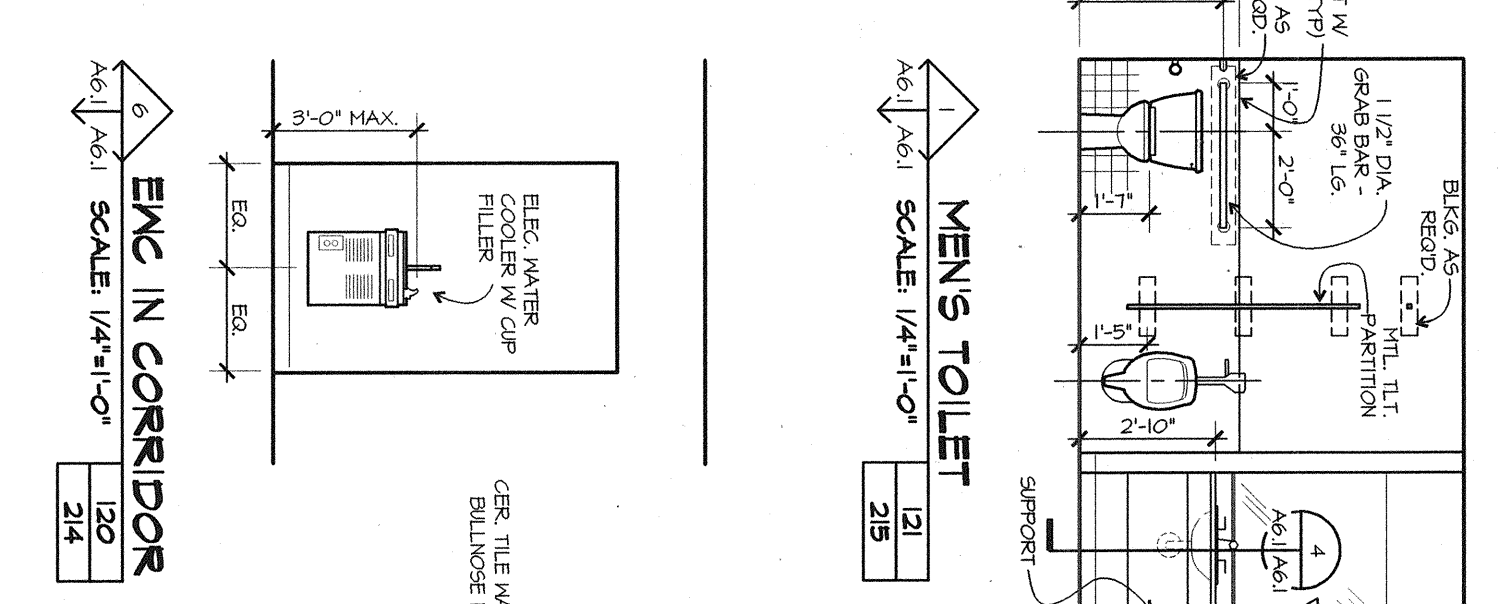
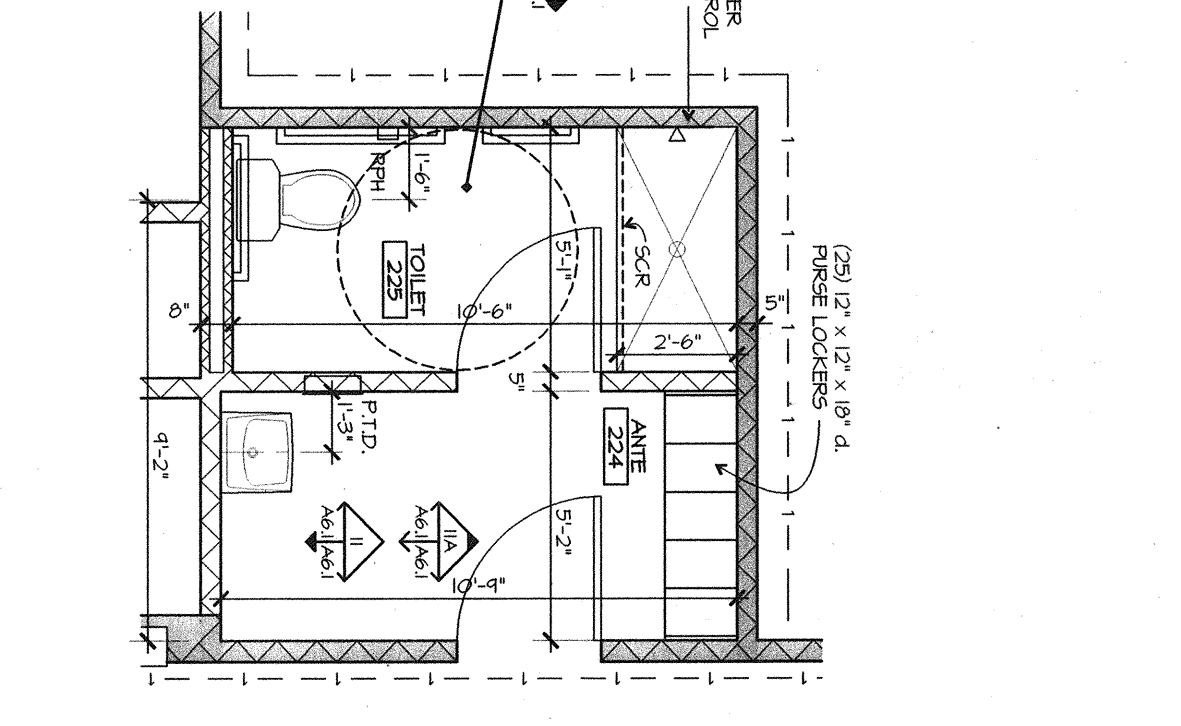


SECOND FLOOR TOILET
SCALE: 1/4" = 1'-0"



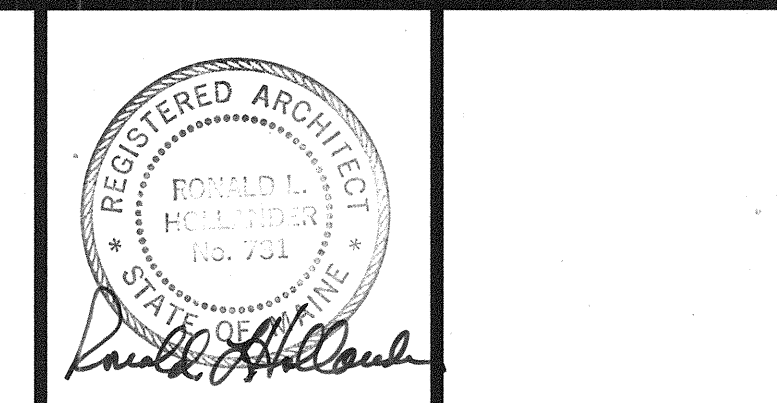
This drawing is the property of the architect and shall remain the property of the architect. It is to be used only for the project and site specified herein. No part of this drawing is to be reproduced, stored in a retrieval system, or transmitted in any form or by any means, electronic, mechanical, photocopying, recording, or by any information storage and retrieval system, without the prior written permission of the architect.

©:FW304T1A/Plotting/Plot-A6-01 Int Elev.dwg Hbc235
BDR-A6-01-AB07F/LAB07F2J4-FURN2-PL-FURR. 02-04-04 @ 15:12

A New Building for
EVERGREEN CREDIT UNION
Portland, Maine

Construction By
HBE Financial Facilities
A Division of HBE Corporation, 11330 Olive Boulevard, St. Louis, Missouri 63141 Phone (314) 567-9000

Frederick S. Scott, Architect
Ronald L. Hollander, Architect
11330 Olive Boulevard, St. Louis, Missouri 63141 (314) 567-9000



REGISTERED ARCHITECT
AG.61
Sheet No. of
98 AB CG
V/A LE RSD