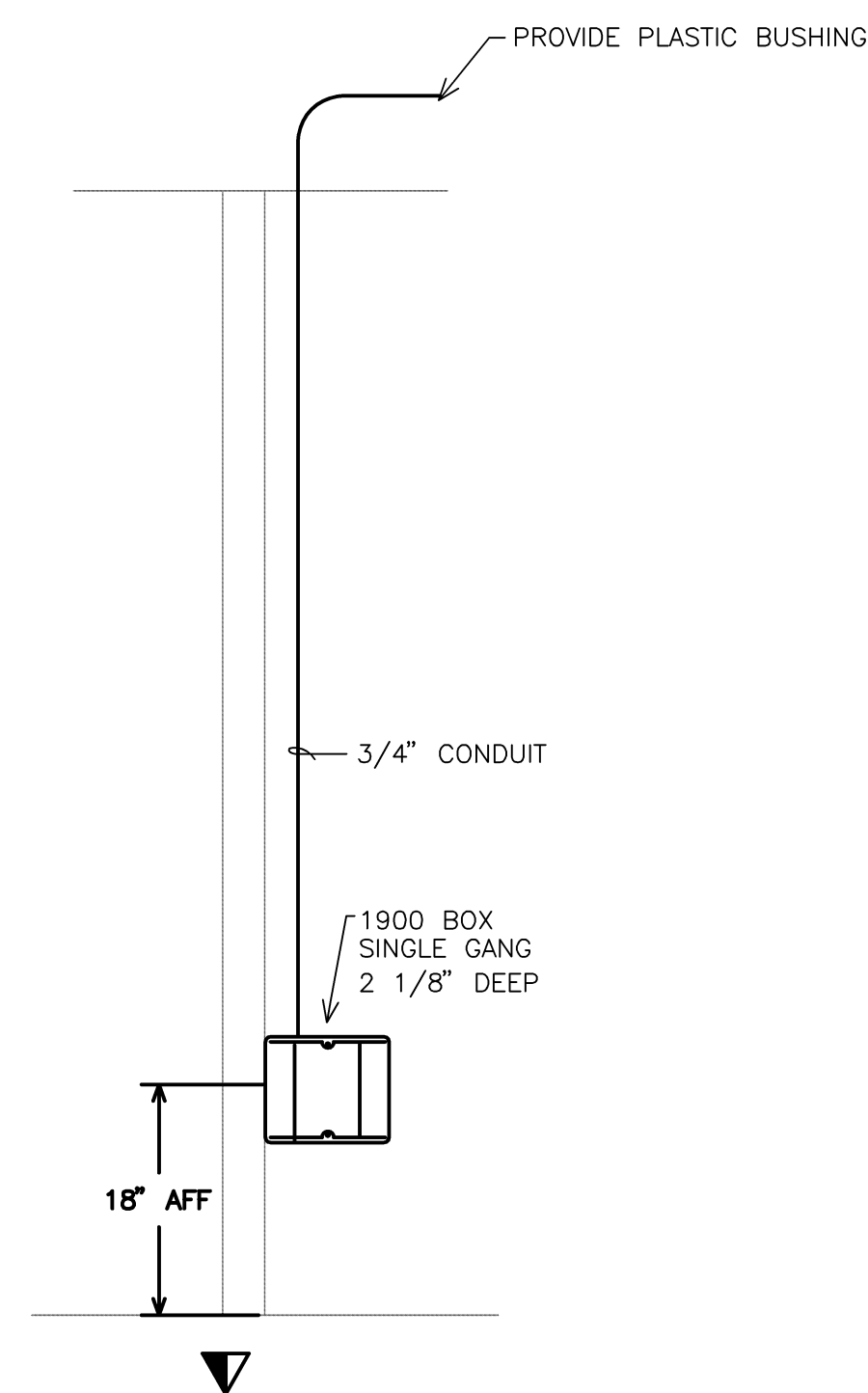


PANEL: L4				VOLTAGE: 120/208v, 3Ph, 4w				
DESCRIPTION	NOTE	AMP / POLE	CKT NO	PH	CKT NO	AMP / POLE	NOTE	DESCRIPTION
RECEPTACLES ROOM #108		20/1	1	- A -	2	20/1		RECEPTACLES OPEN OFFICE #117
RECEPTACLES ROOM #105		20/1	3	- B -	4	20/1		RECEPTACLES OPEN OFFICE #117
RECEPTACLES ROOMS #106& #109		20/1	5	- C -	6	20/1		RECEPTACLES OPEN OFFICE #117
COPIER ROOM #107		20/1	7	- A -	8	20/1		RECEPTACLES OPEN OFFICE #117
RECEPTACLES ROOM #110		20/1	9	- B -	10	20/1		RECEPTACLES ROOM #118
RECEPTACLES ROOM #110		20/1	11	- C -	12	20/1		COPIER ROOM #117
RECEPTACLES ROOM #111		20/1	13	- A -	14	20/1		RECEPTACLES ROOM #119
MICROWAVE OVEN ROOM #111		20/1	15	- B -	16	20/1		RECEPTACLES ROOM #120
COUNTER RECEPTACLES ROOM #111		20/1	17	- C -	18	20/1		RECEPTACLES ROOM #121
RECEPTACLES ROOMS #114,115,10		20/1	19	- A -	20	20/1		RECEPTACLES ROOM #121
WATER COOLER-CORRIDOR #102		20/1	21	- B -	22	20/1		RECEPTACLES ROOM #121
RECEPTACLES ROOM #113		20/1	23	- C -	24	20/1		RECEPTACLES ROOM #116
RECEPTACLES ROOM #103		20/1	25	- A -	26	20/1		PROJECTOR & SCREEN ROOM #11
RECEPTACLES ROOM #105		20/1	27	- B -	28	20/1		DATA BOARD RECEPTACLE
VENDING MACHINES ROOM #105		20/1	29	- C -	30	20/1		RECEPTACLES ROOM #121
LIGHTS ROOMS #110		20/1	31	- A -	32	15/1		EF-1
LIGHTS ROOMS #103		20/1	33	- B -	34	20/1		DISHWASHER
SPARE		20/1	35	- C -	36	20/2		COFFEE BREWER
SPARE		20/1	37	- A -	38	-		-
SPARE		20/1	39	- B -	40	20/1		SPARE
SPARE		20/1	41	- C -	42	20/1		SPARE
200 AMP				- A -		THRU		NONE
200 AMP	MAIN BREAKER			- B -		FEED LUG		----
200 AMP				- C -		CONN		----
OVERCURRENT DEVICE NOTES			PANELBOARD NOTES					
				- 1 -				
				- 2 -				
				- 3 -				
				- 4 -				
				- 5 -				
xxx	: AMP RATING OF BUS			MOUNTING:		xxx		
xxx	: AMPS AIC RATING			DATE:		15-Nov-07		

PANEL: H4 4				VOLTAGE: 277/480v, 3Ph, 4w				
DESCRIPTION	NOTE	AMP / POLE	CKT NO	PH	CKT NO	AMP / POLE	NOTE	DESCRIPTION
LIGHTING		20/1	1	- A -	2	110/3		TRANSFORMER T-4
LIGHTING		20/1	3	- B -	4	-		-
LIGHTING		20/1	5	- C -	6	-		-
LIGHTING		20/1	7	- A -	8	20/3		VAV-3
LIGHTING		20/1	9	- B -	10	-		-
P		20/1	11	- C -	12	-		-
VAV-1		15/3	13	- A -	14	30/3		VAV-4
-		-	15	- B -	16	-		-
-		-	17	- C -	18	-		-
VAV-2		15/3	19	- A -	20	15/3		VAV-5
-		-	21	- B -	22	-		-
-		-	23	- C -	24	-		-
SPARE		20/1	25	- A -	26	20/2		ELECTRIC UNIT HEATER(EUH-1)
SPARE		20/1	27	- B -	28	-		-
SPARE		20/1	29	- C -	30	20/1		SPARE
SPARE		20/1	31	- A -	32	20/1		SPARE
SPARE		20/1	33	- B -	34	20/1		SPARE
SPARE		20/1	35	- C -	36	20/1		SPARE
SPARE		20/1	37	- A -	38	20/1		SPARE
SPARE		20/1	39	- B -	40	20/1		SPARE
SPARE		20/1	41	- C -	42	20/1		SPARE
NONE				- A -		THRU		NONE
----	MAIN BREAKER			- B -		FEED LUG		----
----				- C -		CONN		----
OVERCURRENT DEVICE NOTES			PANELBOARD NOTES					
				- 1 -				
				- 2 -				
				- 3 -				
				- 4 -				
				- 5 -				
xxx	: AMP RATING OF BUS			MOUNTING:		xxx		
xxx	: AMPS AIC RATING			DATE:		15-Nov-07		



1 TELECOMMUNICATIONS OUTLET BOX INSTALLATION DETAILS
NTS



SIMPSON ASSOCIATES
ARCHITECT
3280 Edgewood Park Dr.
Commerce, Michigan 48382
248-360-7821

David R. Gebhardt Architect
Professional Corporation
203 W. Michigan Ave. Saline, MI 48176 (734) 429-513



Dunham Associates, Inc.
50 South Sixth Street / Suite 1100
Minneapolis, Minnesota 55402-1540
PHONE 612.465.7550 FAX 612.465.7551
WEB dunhameng.com
mechanical + electrical consulting engineering



Construction Manager
Frank Baxter General Contractor, Inc.
3225 Avenue N
Fort Madison, IA 52627
319-372-7285

PROJECT :



EXECUTIVE OFFICE LAYOUT
191 RIVERSIDE
PORTLAND, MAINE

DATE:	ISSUED FOR:
11.12.07	90% REVIEW
11.16.07	PERMIT

SHEET TITLE :

**ELECTRICAL
PANELBOARD
SCHEDULES**

SHEET NO. :

E301