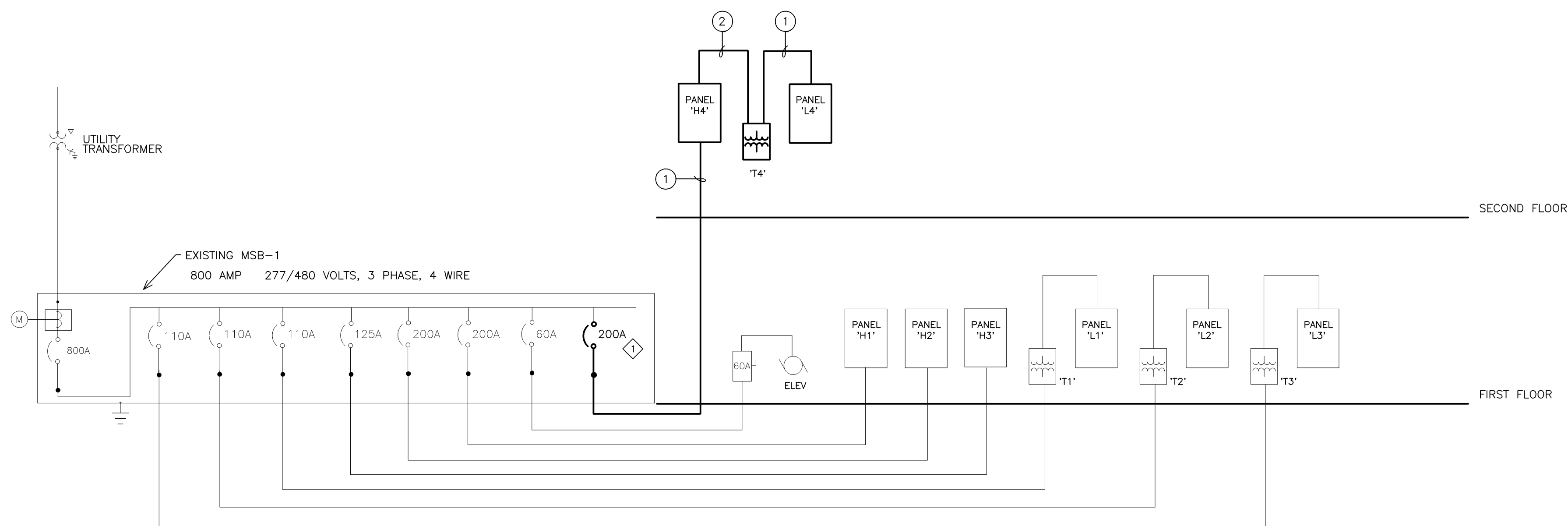


1 POWER DISTRIBUTION ONE-LINE DIAGRAM - EXISTING MSB-#1
NOT TO SCALE



2 POWER DISTRIBUTION ONE-LINE DIAGRAM - NEW MSB-#1
NOT TO SCALE

NOTES FOR THIS DRAWING

◇ ADD A NEW 200 AMP BREAKER TO EXISTING SWITCHBOARD MSB-1. COORDINATE ANY POWER OUTAGE REQUIRED TO INSTALL NEW CIRCUIT BREAKER WITH OWNER PRIOR TO SHUTTING OFF POWER TO THE DISTRIBUTION SECTION OF MSB-1.

| FEEDER SCHEDULE | |
|-----------------|------------------------------------|
| ① | 2 1/2" C / 4-#3/0 Kcmil & 1-#6 GND |
| ② | 1 1/4" C / 3-#2 AWG & 1-#8 GND |



SIMPSON ASSOCIATES
ARCHITECT
3280 Edgewood Park Dr.
Commerce, Michigan 48382
248-360-7821

David R. Gebhardt Architect
Professional Corporation
203 W. Michigan Ave. Saline, MI 48176 (734) 429-513



Dunham Associates, Inc.
50 South Sixth Street / Suite 1100
Minneapolis, Minnesota 55402-1540
PHONE 612.465.7550 FAX 612.465.7551
WEB dunhameng.com
mechanical + electrical consulting engineering



Construction Manager
Frank Baxter General Contractor, Inc.
3225 Avenue N
Fort Madison, IA 52627
319-372-7285

PROJECT :



EXECUTIVE OFFICE LAYOUT
191 RIVERSIDE
PORTLAND, MAINE

| DATE: | ISSUED FOR: |
|----------|-------------|
| 11.12.07 | 90% REVIEW |
| 11.16.07 | PERMIT |
| 11.28.07 | ADDENDUM #1 |

SHEET TITLE :
ELECTRICAL RISER DIAGRAM

SHEET NO. :
E303