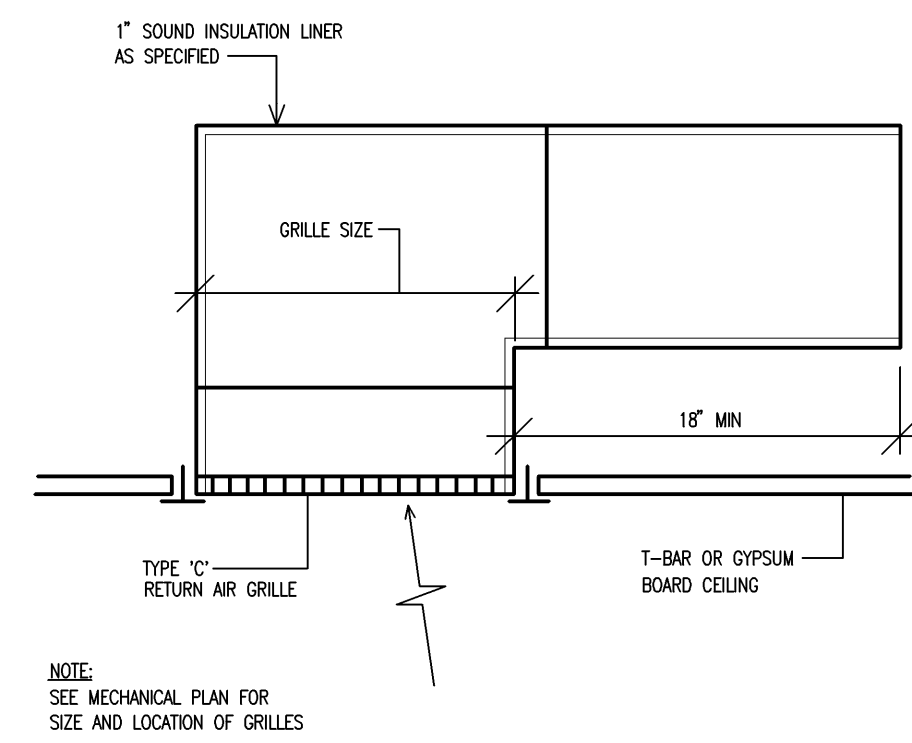
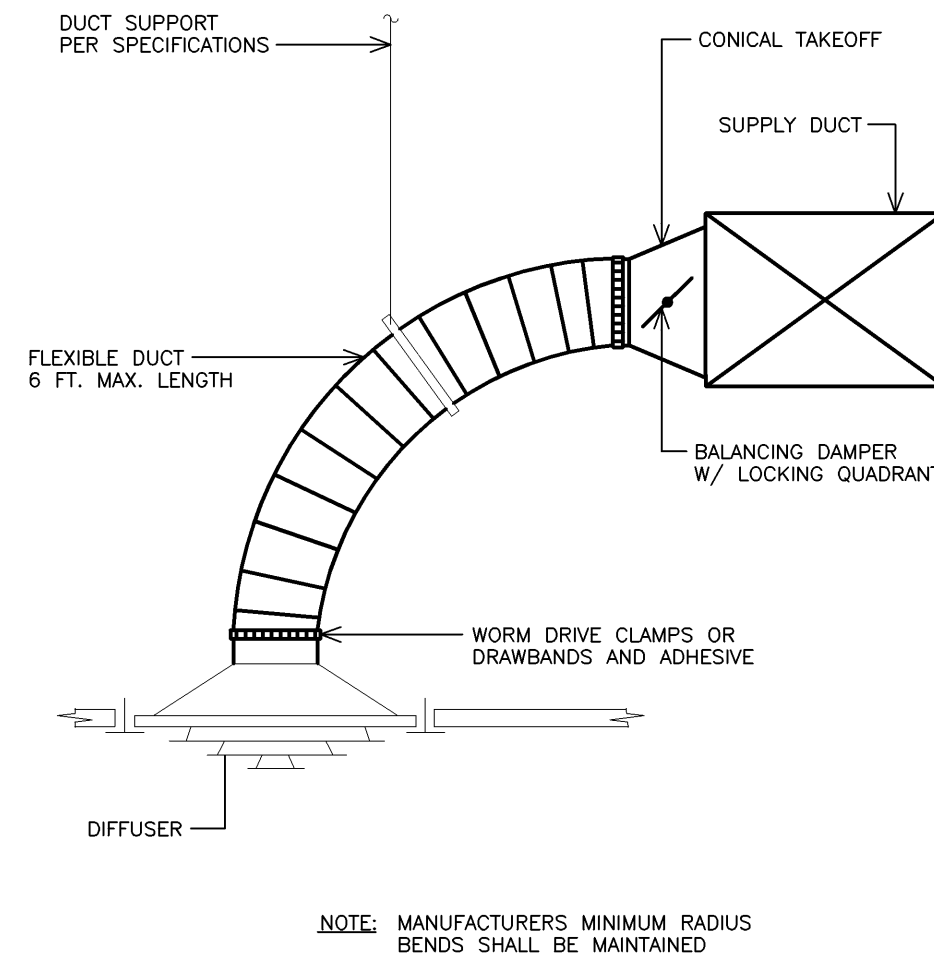


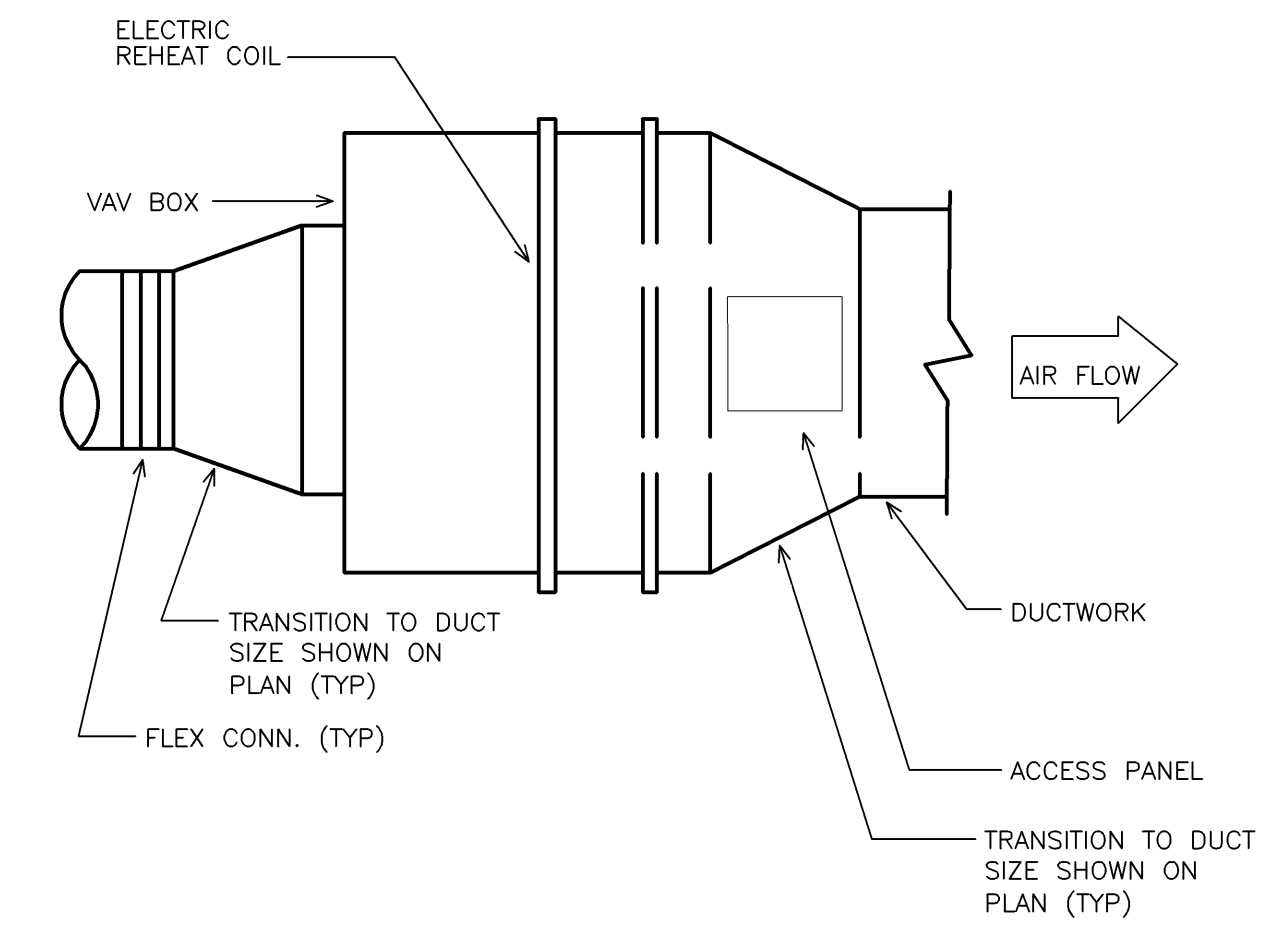
1 AIR TRANSFER DUCT DETAIL
NO SCALE



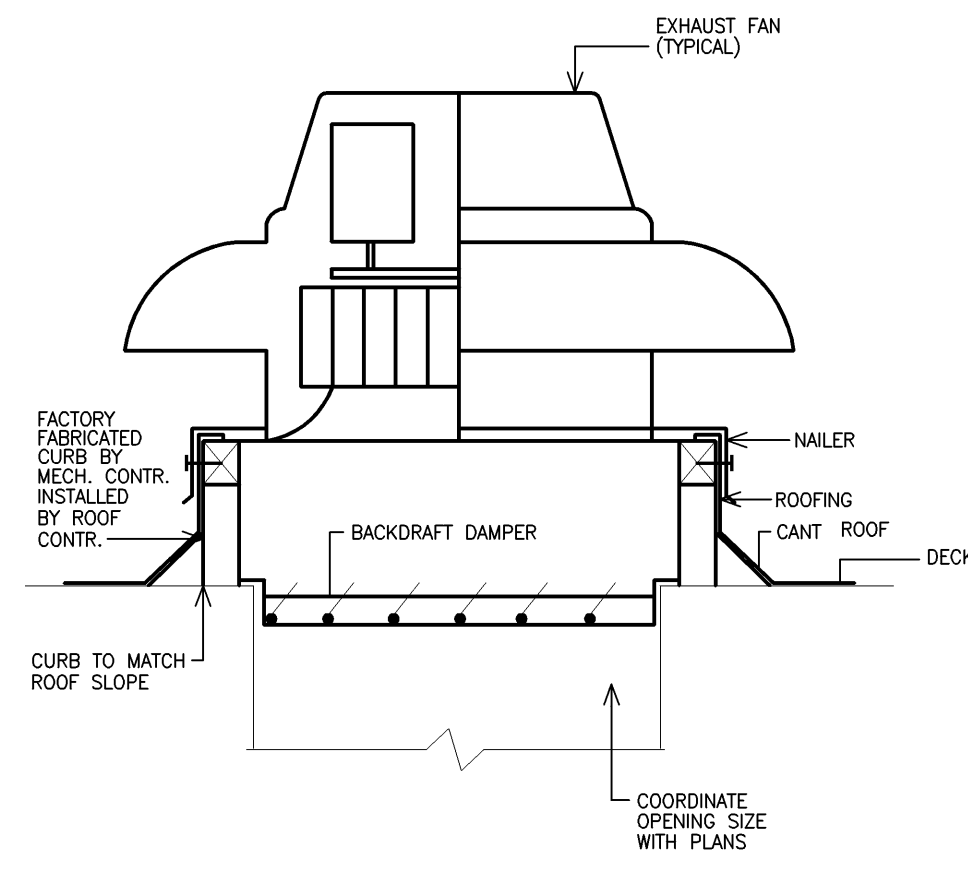
2 RETURN/RELIEF GRILLE DETAIL (PLENUM RETURN)
NO SCALE



3 CEILING DIFFUSER RUNOUT DETAIL (FLEXIBLE DUCT)
NO SCALE



4 TYPICAL VAV BOX W/ELECTRIC REHEAT COIL DETAIL
NO SCALE 4-11-03A



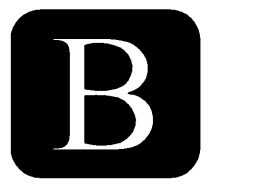
5 PRV FAN DETAIL
NO SCALE



SIMPSON ASSOCIATES
ARCHITECT
3280 Edgewood Park Dr.
Commerce, Michigan 48382
248-360-7821

David R. Gebhardt Architect
Professional Corporation
203 W. Michigan Ave. Saline, MI 48176 (734) 429-513

DUNHAM
Dunham Associates, Inc.
50 South Sixth Street / Suite 1100
Minneapolis, Minnesota 55402-1540
PHONE 612.465.7550 FAX 612.465.7551
WEB dunhameng.com
mechanical + electrical consulting engineering



Construction Manager
Frank Baxter General Contractor, Inc.
3225 Avenue N
Fort Madison, IA 52627
319-372-7285

PROJECT :



EXECUTIVE OFFICE LAYOUT
191 RIVERSIDE
PORTLAND, MAINE

DATE:	ISSUED FOR:
11.12.07	90% REVIEW
11.16.07	PERMIT
11.28.07	ADDENDUM #1

SHEET TITLE :
MECHANICAL DETAILS

SHEET NO. :
M500