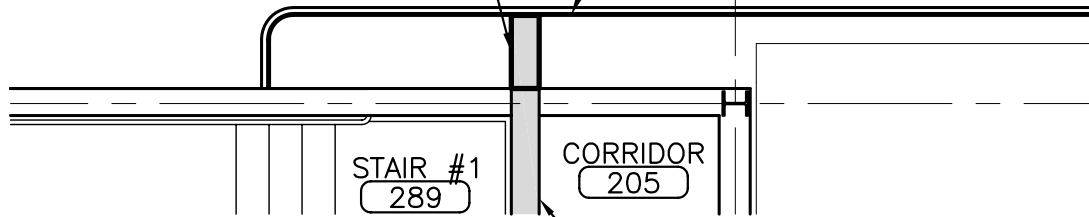


EXTEND 1-HOUR FIRE RATED
GWB STAIR ENCLOSURE TO INSIDE
FACE OF EXTERIOR SHEATHING
OF CANOPY, FOR THE HEIGHT OF
CANOPY, AS REQUIRED. PROVIDE
FRAMING AS REQUIRED. EQUAL
TO UL DESIGN U419.

INSIDE FACE OF EXTERIOR
SHEATHING OF CANOPY.

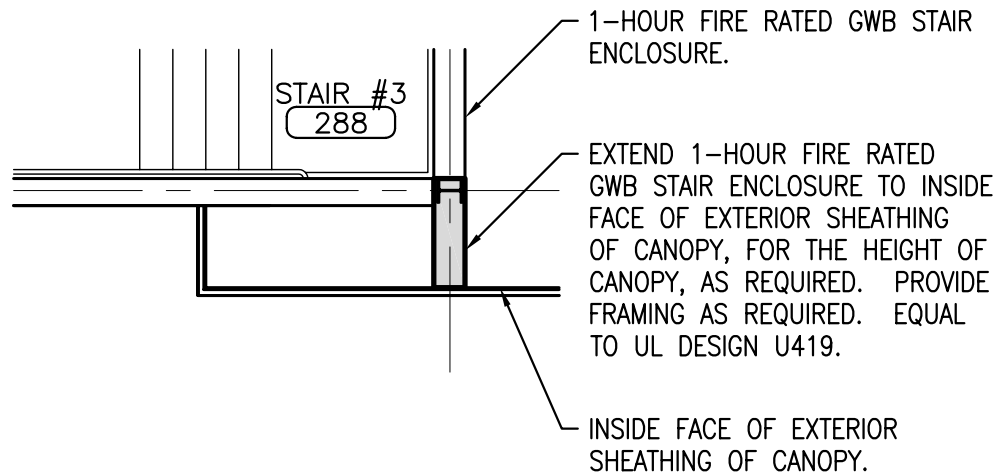


1-HOUR FIRE RATED GWB
STAIR ENCLOSURE.

A

STAIR TOWER (289)

SCALE: 3/16" = 1'-0"



1-HOUR FIRE RATED GWB STAIR
ENCLOSURE.

EXTEND 1-HOUR FIRE RATED
GWB STAIR ENCLOSURE TO INSIDE
FACE OF EXTERIOR SHEATHING
OF CANOPY, FOR THE HEIGHT OF
CANOPY, AS REQUIRED. PROVIDE
FRAMING AS REQUIRED. EQUAL
TO UL DESIGN U419.

INSIDE FACE OF EXTERIOR
SHEATHING OF CANOPY.