

FILE NAME: 2008-279.03-A320.dwg

ALL DIMENSIONS ARE BASED ON "AS-BUILT" DRAWINGS AS PROVIDED BY THE OWNER. ALL DIMENSIONS SHALL BE VERIFIED PRIOR TO CONSTRUCTION AND FABRICATION. DESIGN INTENT IS INDICATE ON DRAWINGS AND OVERALL INTENT IS TO ALIGN WITH THE EXISTING BUILDING AND THE BUILDING COMPONENTS: ROOF, WALLS, COLUMN GRID, ETC UNLESS SPECIFICALLY INDICATED OTHERWISE. COORDINATE DIMENSIONS WITH ARCHITECT.

**4N**

**NUDELL ARCHITECTS**

31690 W. Twelve Mile Road  
Farmington Hills, Michigan 48334  
1 248 324 8800 1 248 324 5550

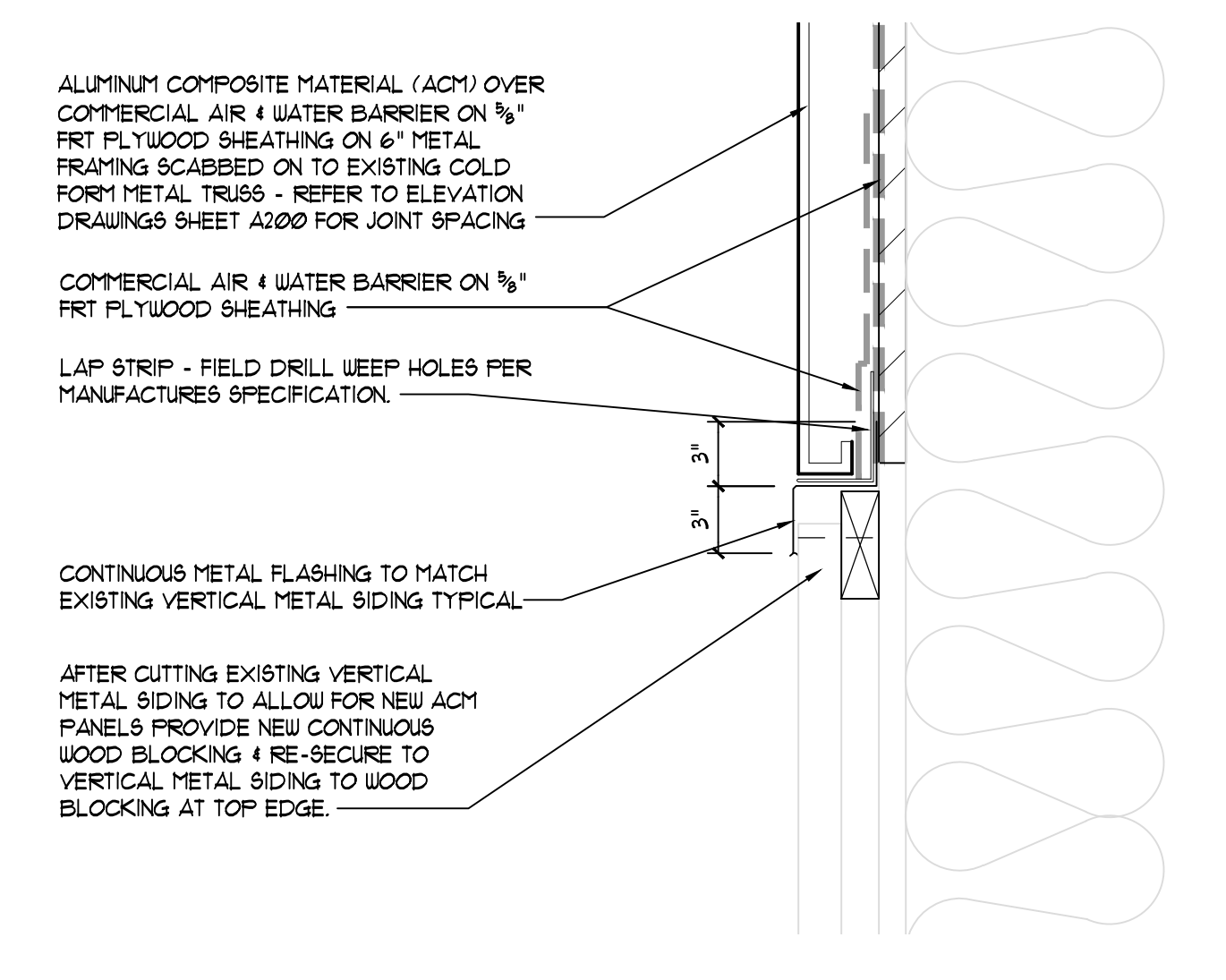
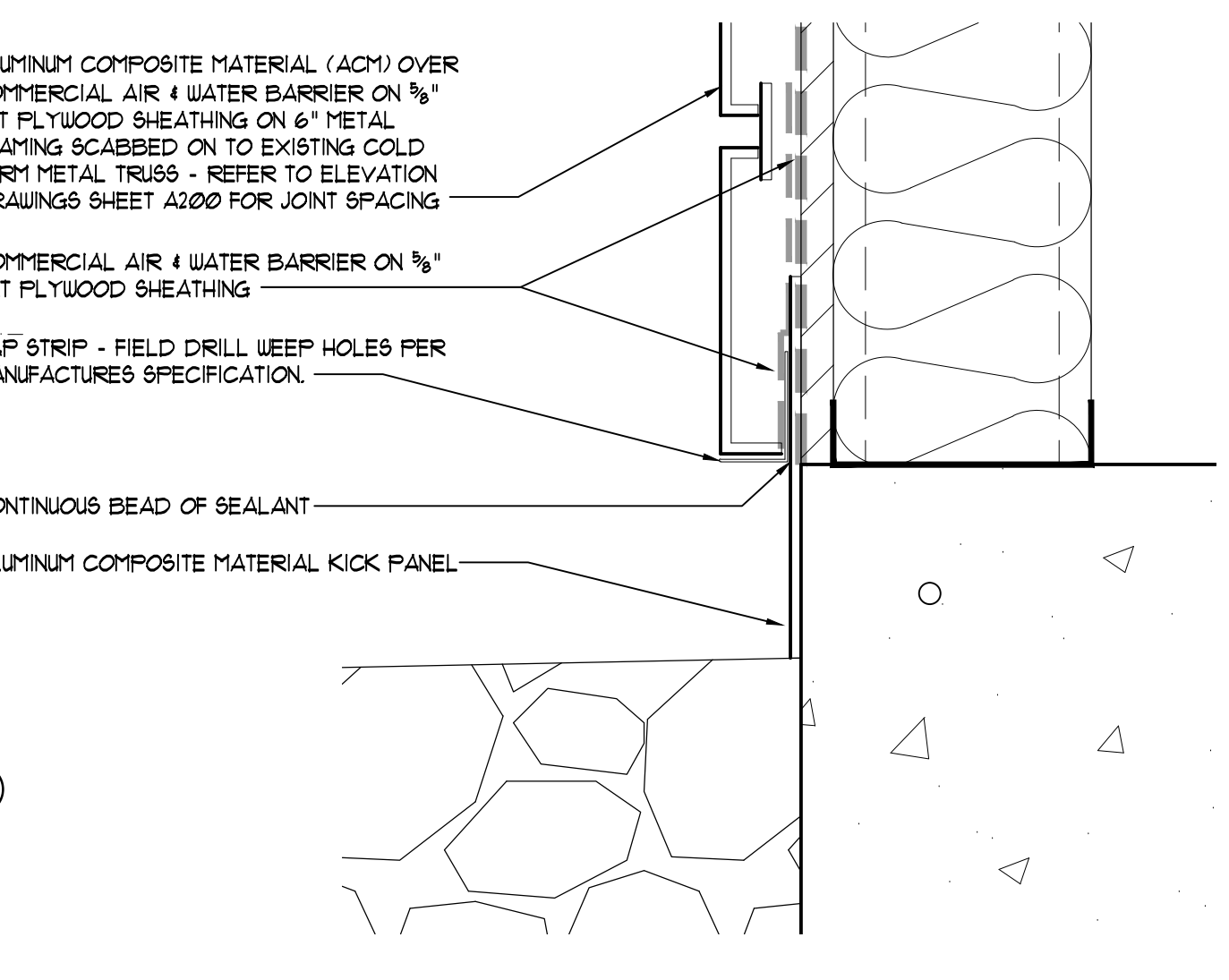
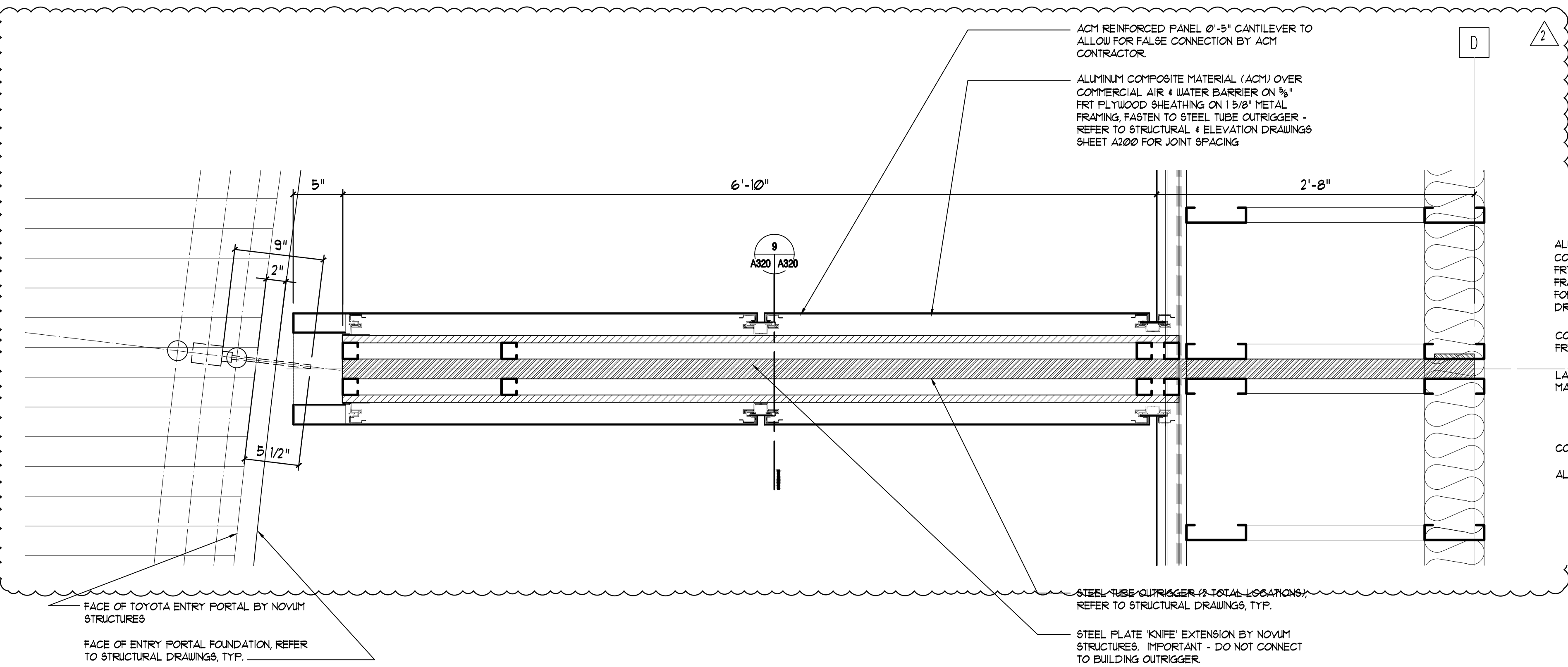
OFFICES IN

- Dallas, Texas 972 387 5900
- Orlando, Florida 407 740 8022
- Costa Mesa, California 714 979 8100
- Chicago, Illinois 312 556 1144

**NOTICE**

THIS ARCHITECTURAL AND/OR ENGINEERING DRAWING IS GIVEN IN CONFIDENCE. NO USE IN WHOLE OR PART MAY BE MADE WITHOUT THE WRITTEN CONSENT OF NUDELL ARCHITECTS. ALL RIGHTS ARE HEREBY SPECIFICALLY RESERVED.

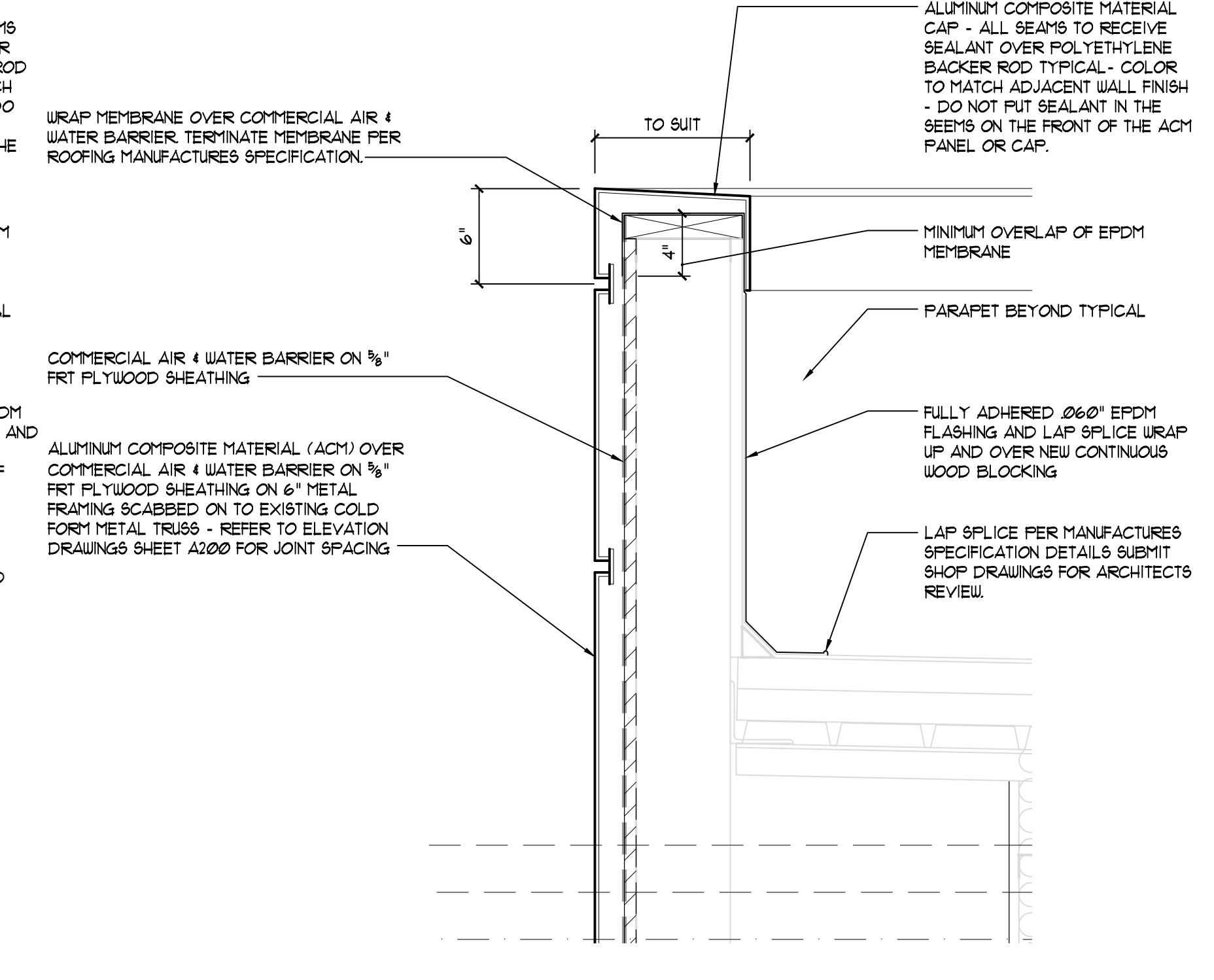
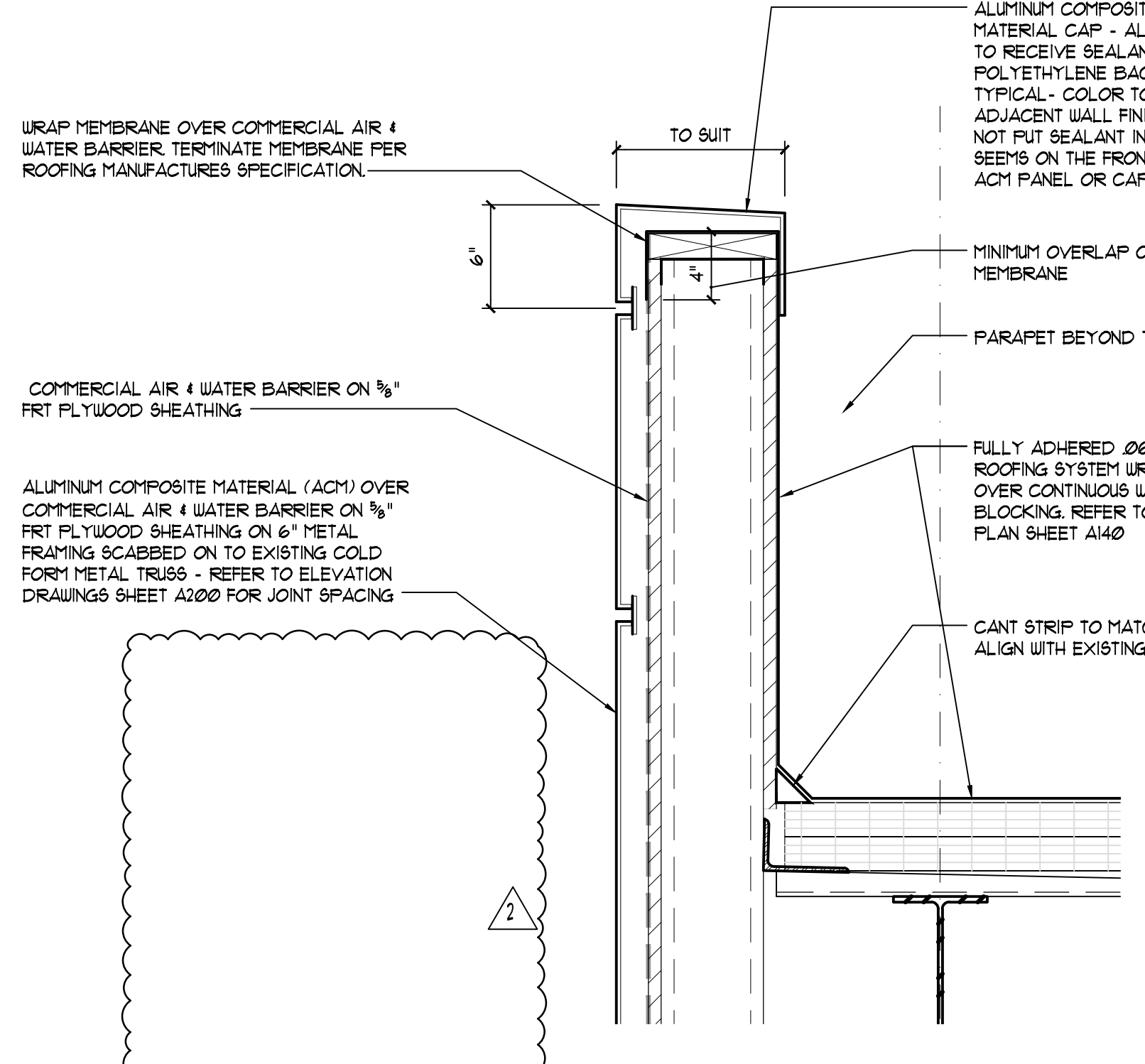
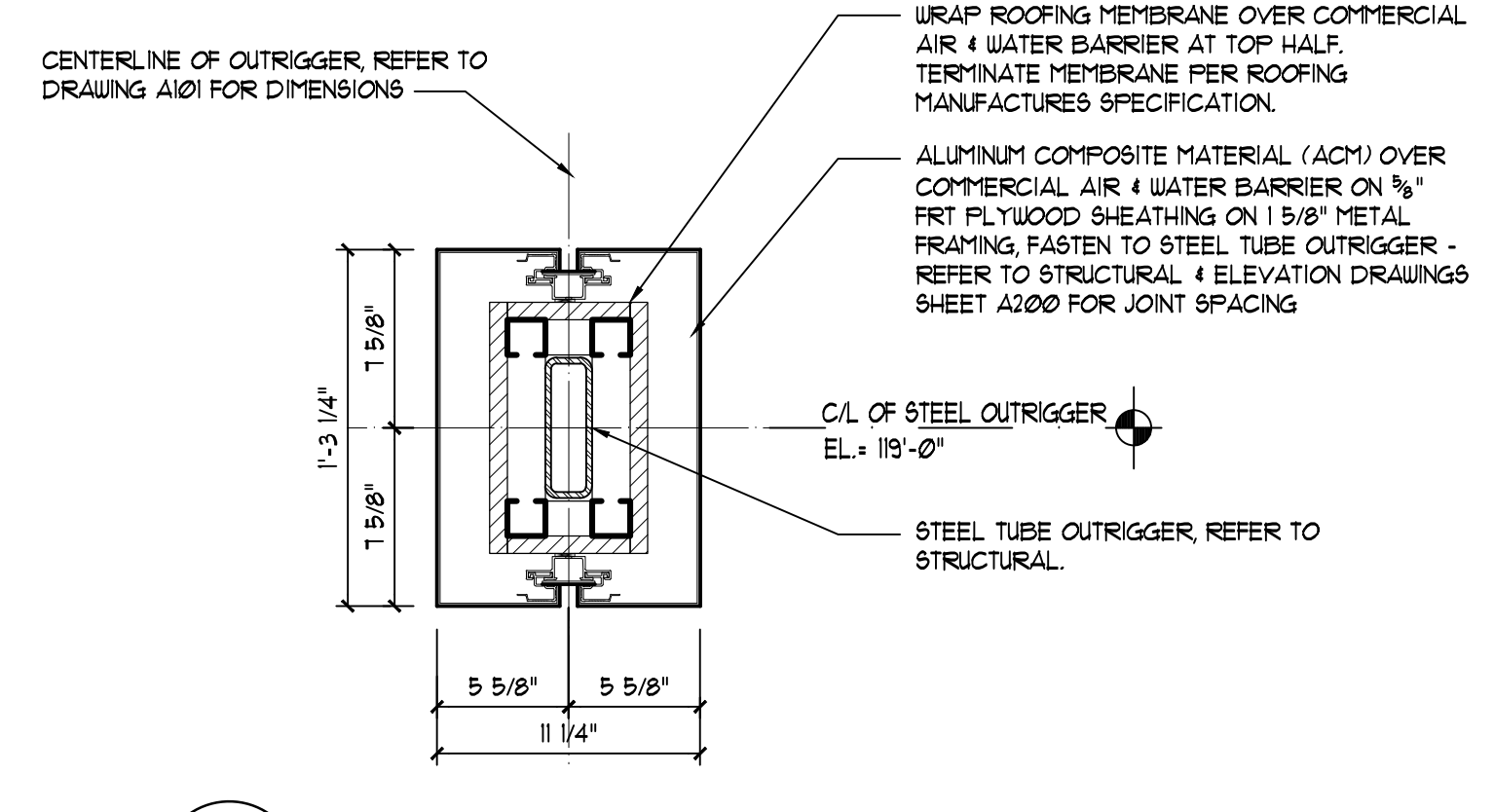
NUDELL ARCHITECTS  
COPYRIGHT YEAR 2012



A10 | A320 ENLARGED OUTRIGGER PLAN SCALE: 1/2" = 1'-0"

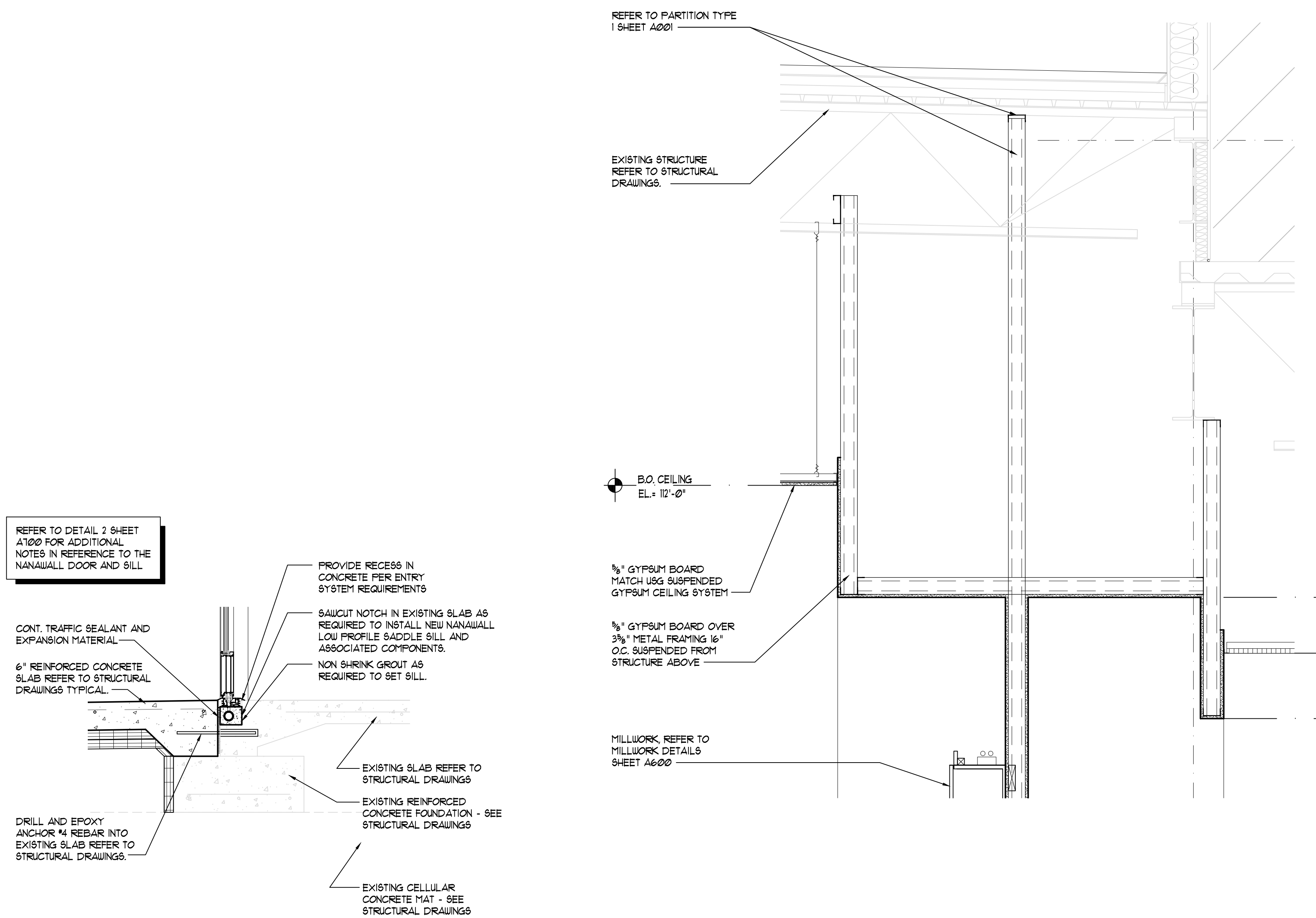
A31 | A320 FLASHING DETAIL SCALE: 3" = 1'-0"

A32 | A320 FLASHING DETAIL SCALE: 3" = 1'-0"



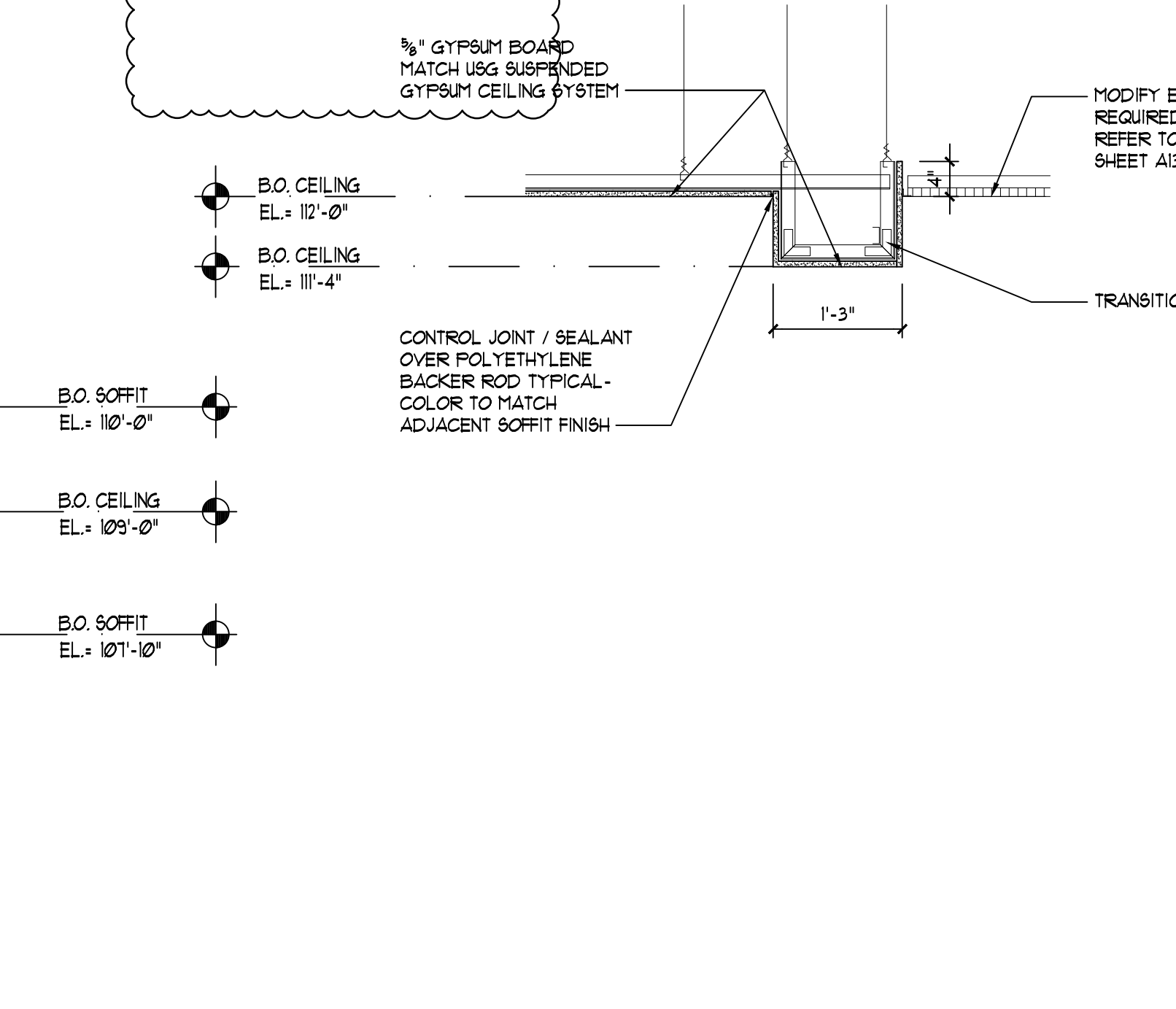
A30 | A320 PARAPET CAP DETAIL SCALE: 1/4" = 1'-0"

A31 | A320 PARAPET CAP DETAIL SCALE: 1/4" = 1'-0"

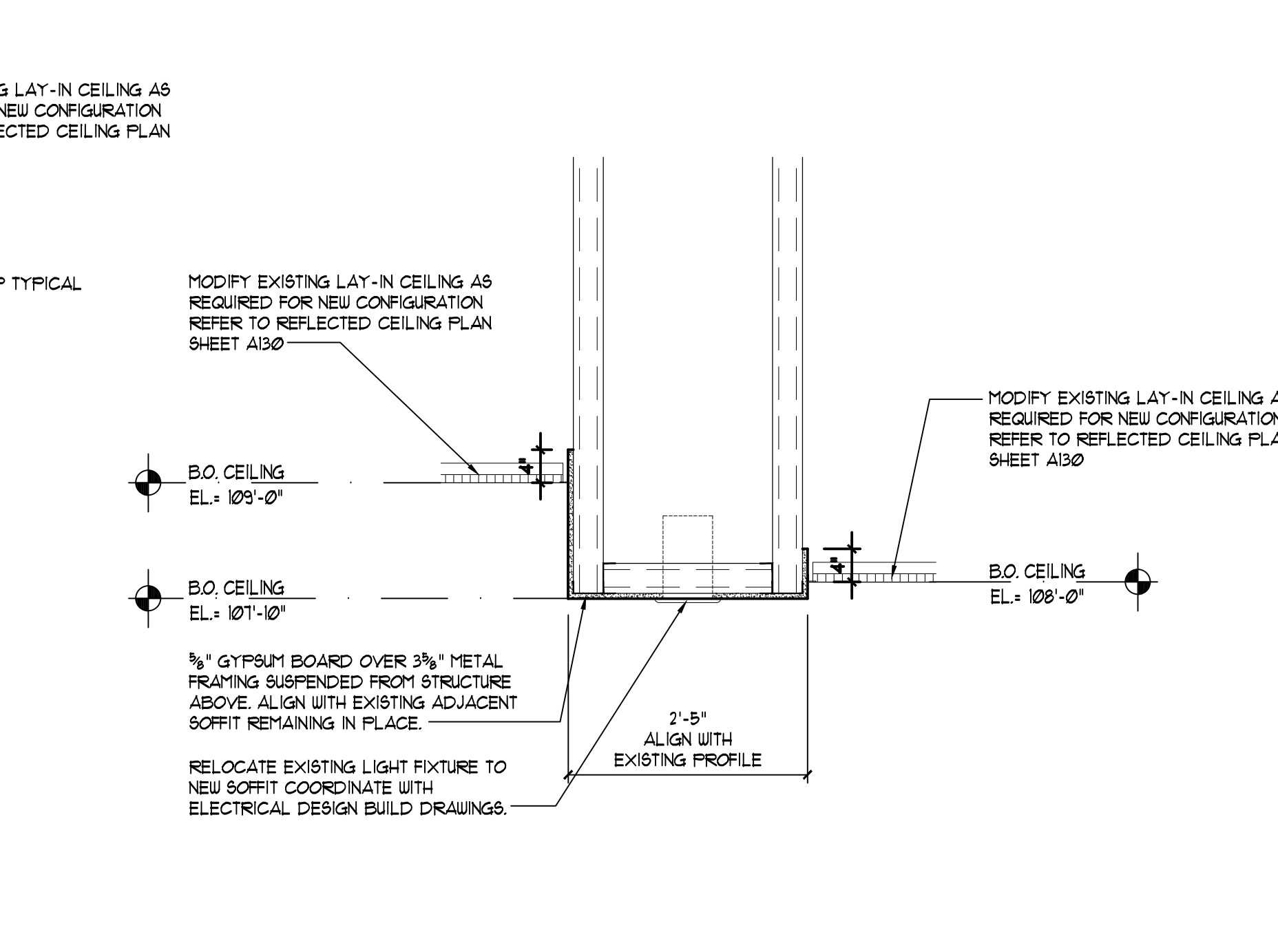


A11 | A320 THRESHOLD SECTION SCALE: 3/4" = 1'-0"

A13 | A320 SOFFIT SECTION SCALE: 3/4" = 1'-0"



A12 | A320 SOFFIT SECTION SCALE: 3/4" = 1'-0"



A14 | A320 SOFFIT SECTION SCALE: 3/4" = 1'-0"

project title

**EXISTING TSL BUILDING SHOWROOM ADDITION**

PORTLAND, ME

sheet title

**BUILDING SECTION DETAILS**

DO NOT SCALE DRAWINGS USE FIGURED DIMENSIONS ONLY

project number

**2008-279.06 (2008-279.03)**

drawn by **JF/RK**

checked by **JD**

approved by **JHN**

issued for **date**

OWNER REVIEW **10/21/11**

STRUCT. CLARIFICATION **11/04/11**

PERMITS **03/16/12**

PLANNING BOARD REVIEW **05/10/12**

BULLETIN # **05/22/12**

BULLETIN # **12/21/12**

sheet

**A320**