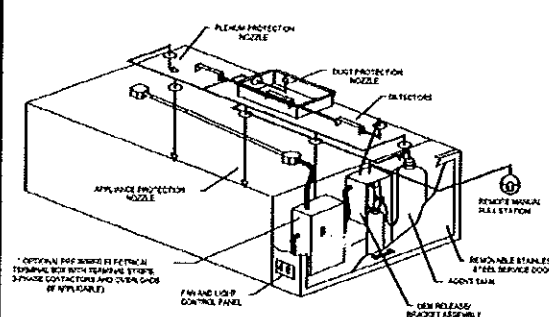


HOOD NO.	TAG	MODEL	LENGTH	MAX. COORDINATE	EXHAUST FLOW					CAPACITY					HOOD COEFFICIENT			
					VELOCITY	AREA	CFM	HP	CFM	HP	CFM	HP	CFM	HP	CFM	HP	CFM	HP
1	KEH-1	MS-1	12'-0"	4'-0"	300	12'	12'	12'	12'	340	12'	12'	12'	12'	12'	12'	12'	12'
2	KEH-2	MS-2	12'-0"	4'-0"	300	12'	12'	12'	340	12'	12'	12'	12'	12'	12'	12'	12'	12'
3	KEH-3	MS-3	12'-0"	4'-0"	300	12'	12'	12'	340	12'	12'	12'	12'	12'	12'	12'	12'	12'

HOOD NO.	TYPE	LENGTH	WIDTH	DEPTH	TYPE	MATERIAL	LOCATION	TYPE	SIZE	MANUFACTURER	QUANTITY	FPM	HP	HOOD COEFFICIENT
1	Capitve Side Panel	12'	4'	4'	Boxed In Ceiling	MS-1	Room 100	Boxed In Ceiling	12' x 12'	MS-1	1	340	12'	12'
2	Capitve Side Panel	12'	4'	4'	Boxed In Ceiling	MS-2	Room 101	Boxed In Ceiling	12' x 12'	MS-2	1	340	12'	12'
3	Capitve Side Panel	12'	4'	4'	Boxed In Ceiling	MS-3	Room 102	Boxed In Ceiling	12' x 12'	MS-3	1	340	12'	12'



**SPECIFICATIONS**

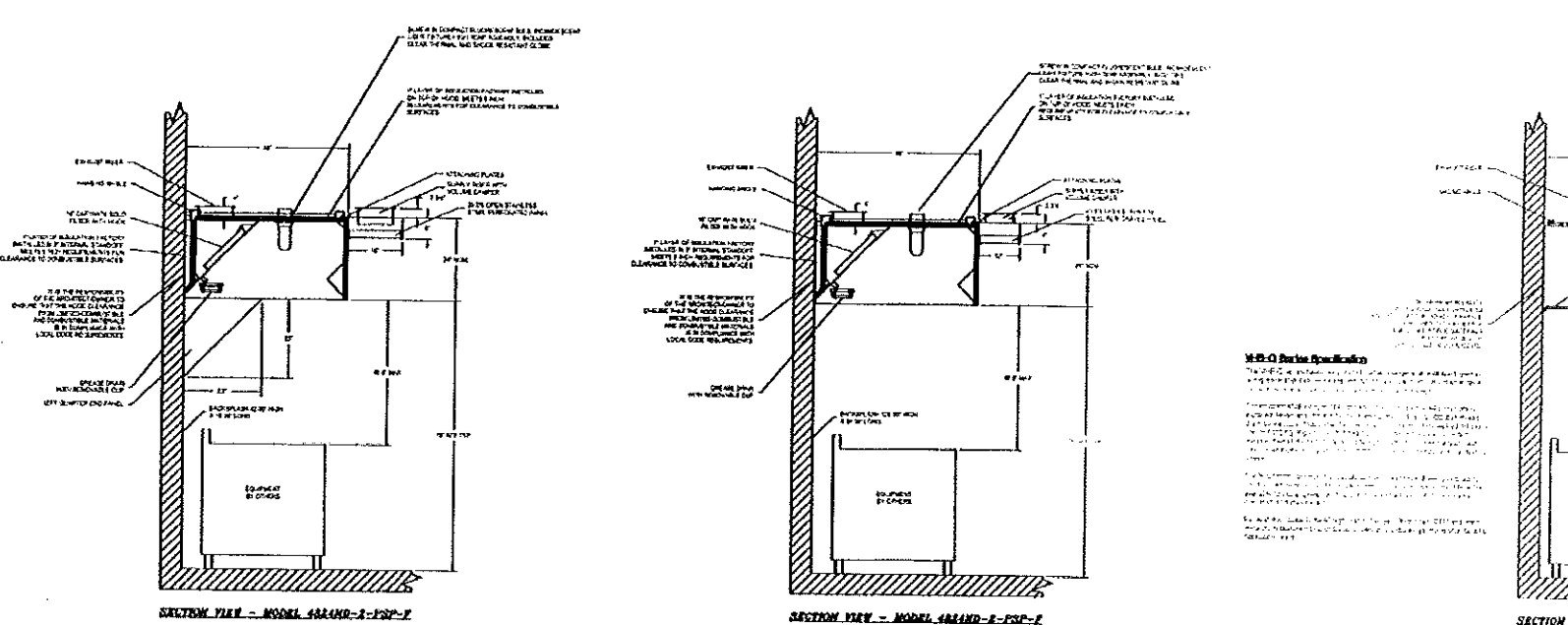
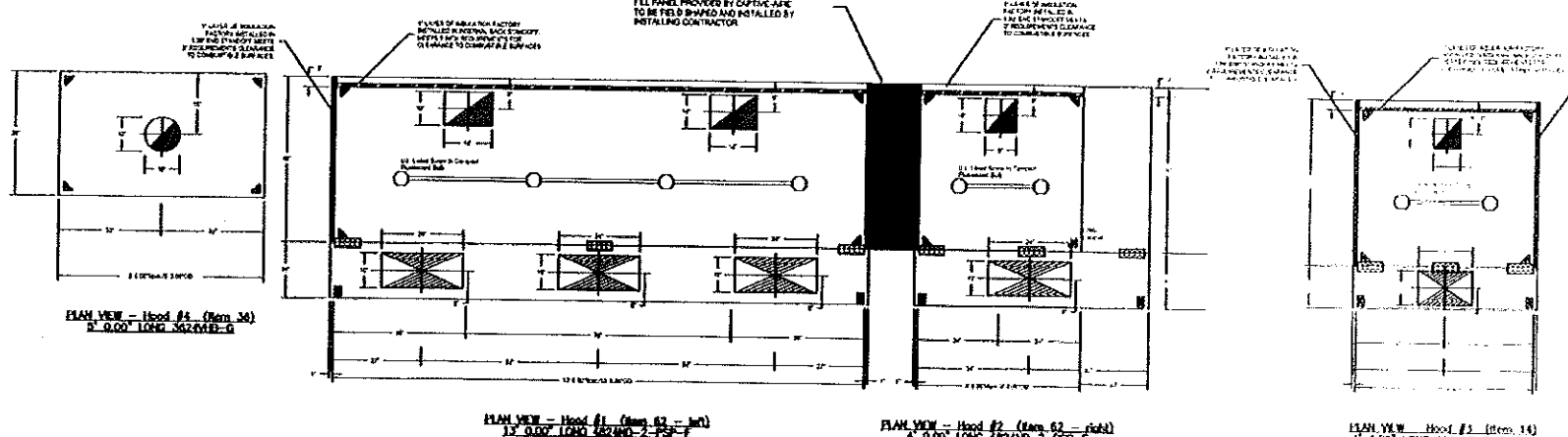
THE RESTAURANT FIRE SUPPRESSION SYSTEM SHALL BE THE PRE ENGINEERED TYPE WITH A FROST NOZZLE ADJUSTMENT NETWORK. IT SHALL BE LISTED WITH UNDERWRITERS LABORATORIES (UL 300).

THE SYSTEM SHALL BE CAPABLE OF AUTOMATIC DETECTION AND ACTUATION WITH LOCAL OR REMOTE MANUAL ACTIVATION. ACCESSORIES SHALL BE AVAILABLE FOR WOODHOOD OR ALUMINUM HOODS. THE LINE BACKUP APPLICATIONS.

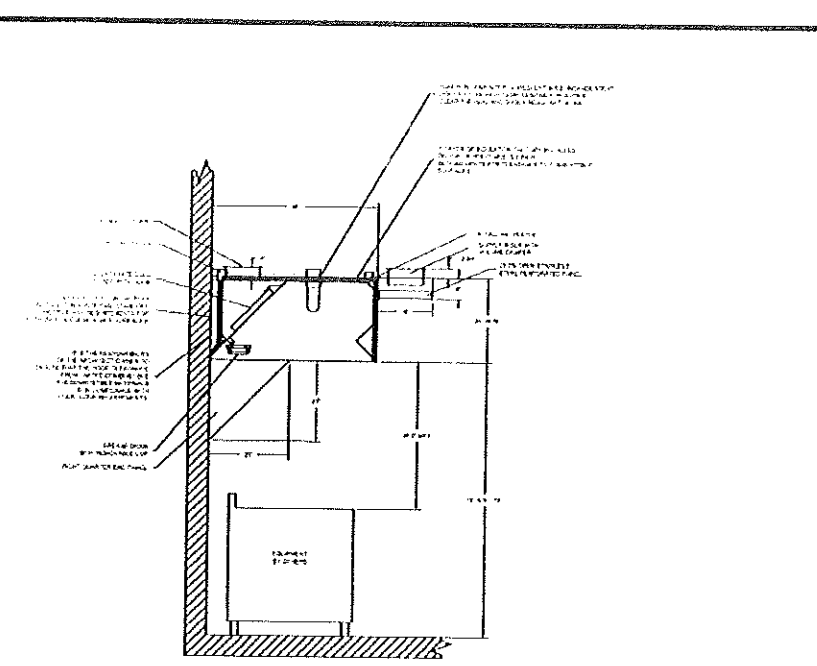
THE EXHAUSTING HOOD SHALL BE A FULLY ASSEMBLED HOOD WITH A REMOVABLE STAINLESS STEEL SERVICE DOOR. ACCESSORIES FOR WOODHOOD OR ALUMINUM HOODS SHALL BE AVAILABLE IN PLASTIC CONTAINERS WITH INSTRUCTIONS FOR LOCAL AGENT HANDLING AND CLEANING.

THE REMOVABLE RELEASE MECHANISM SHALL BE COMPATIBLE WITH A FROST LINE DETECTION SYSTEM. THE FROST LINE SHALL BE SUPPORTED BY A DETECTOR MOUNTED TO THE HOOD. THE FROST LINE SHALL BE SUPPORTED BY A DETECTOR MOUNTED TO THE HOOD. THE FROST LINE SHALL BE SUPPORTED BY A DETECTOR MOUNTED TO THE HOOD.

TYPICAL ANGUS B-102 SYSTEM LAYOUT



HOOD NO.	OPTION	DESCRIPTION	MATERIAL	LOCATION	TYPE	SIZE	MANUFACTURER	QUANTITY	FPM	HP	HOOD COEFFICIENT
1	BACKFLASH	12' x 4' x 4' High x 12' Long x 12' Deep	MS-1	Room 100	Boxed In Ceiling	12' x 12'	MS-1	1	340	12'	12'
2	BACKFLASH	12' x 4' x 4' High x 12' Long x 12' Deep	MS-2	Room 101	Boxed In Ceiling	12' x 12'	MS-2	1	340	12'	12'
3	BACKFLASH	12' x 4' x 4' High x 12' Long x 12' Deep	MS-3	Room 102	Boxed In Ceiling	12' x 12'	MS-3	1	340	12'	12'



SECTION VIEW - MODEL 6624ND-2-FSP-F

**M3-2 Series with PVP Accessory Box/Box**

The M3-2 series hood with PVP accessory is a long-term hood hood system used for hood exhaust systems. The hood shall have the same appearance as specified in the drawing.

Construction shall be in 12 gauge galvanized steel with a 1/2" or greater where required based on code.

The hood shall be supported by the manufacturer and shall be constructed of the material specified in the drawing. The hood shall have the same appearance as specified in the drawing.

The hood shall have a minimum height of 12" above the countertop. The hood shall have a minimum depth of 12" above the countertop. The hood shall have a minimum width of 12" above the countertop.

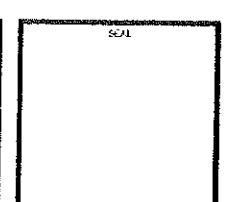
The hood shall have a minimum height of 12" above the countertop. The hood shall have a minimum depth of 12" above the countertop. The hood shall have a minimum width of 12" above the countertop.

**CAPTIVE**

EGG & J - PORTLAND, ME  
SOUTH PORTLAND, ME

DATE: 10/17/2012  
DRAWN BY: [Name]  
SCALE: 3/4" = 1'-0"  
MASTER DRAWING

SHEET NO. 1



155 Riverside Street  
Portland, Maine 04103

**The EGG & J**  
Breakfast & Lunch

Howard Johnson Plaza Hotel

**ICON:**  
ARCHITECTURE

1511 Westport Road  
Kansas City, MO 64111  
p.816.221.0250 1816.221.0251

ISSUE DATE: 11/01/12  
PROJECT NUMBER: 2012-42  
SHEET NUMBER: M3

**MECHANICAL HOODS**

**BC ENGINEERS**  
INCORPORATED

5750 Route 282, Ex. 66303 (913)482-1722