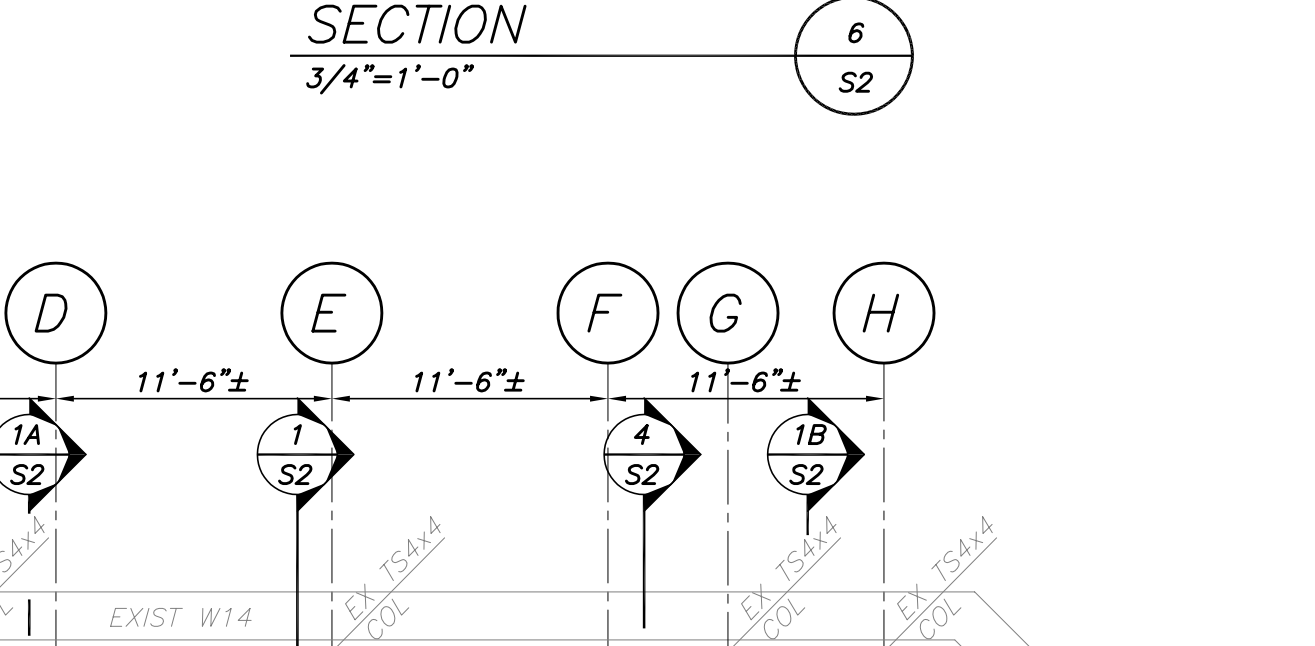
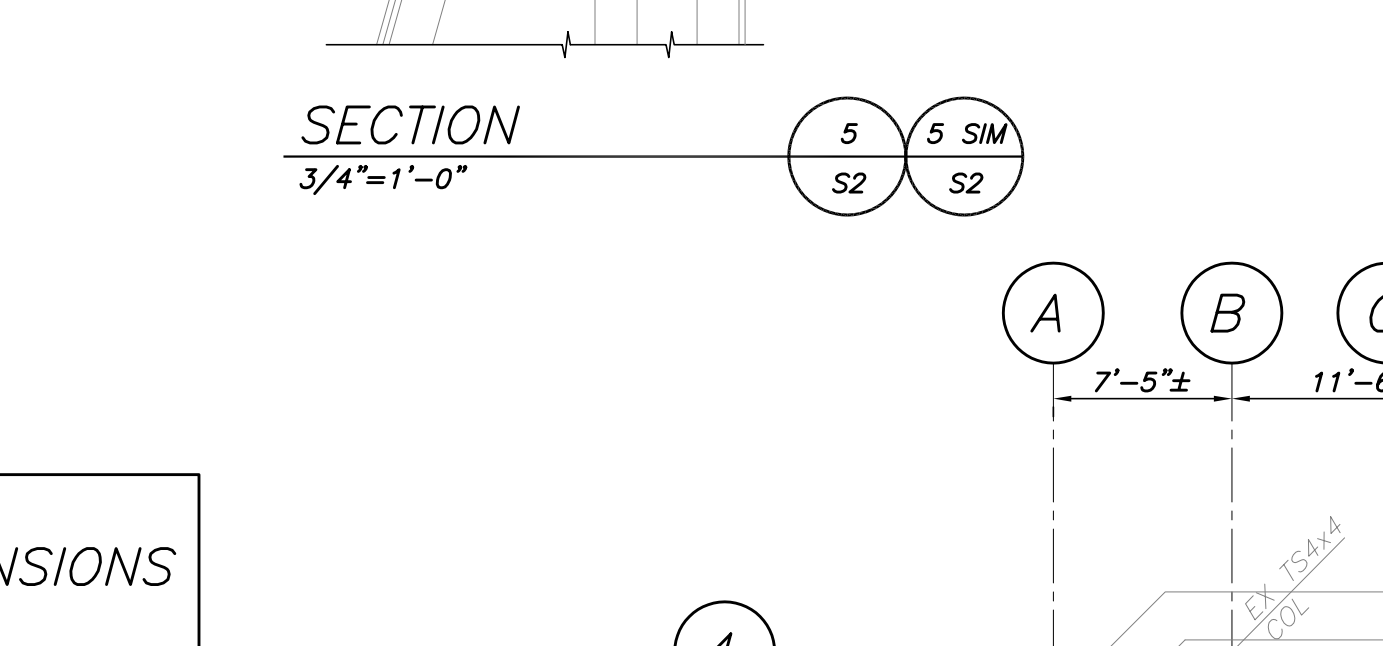
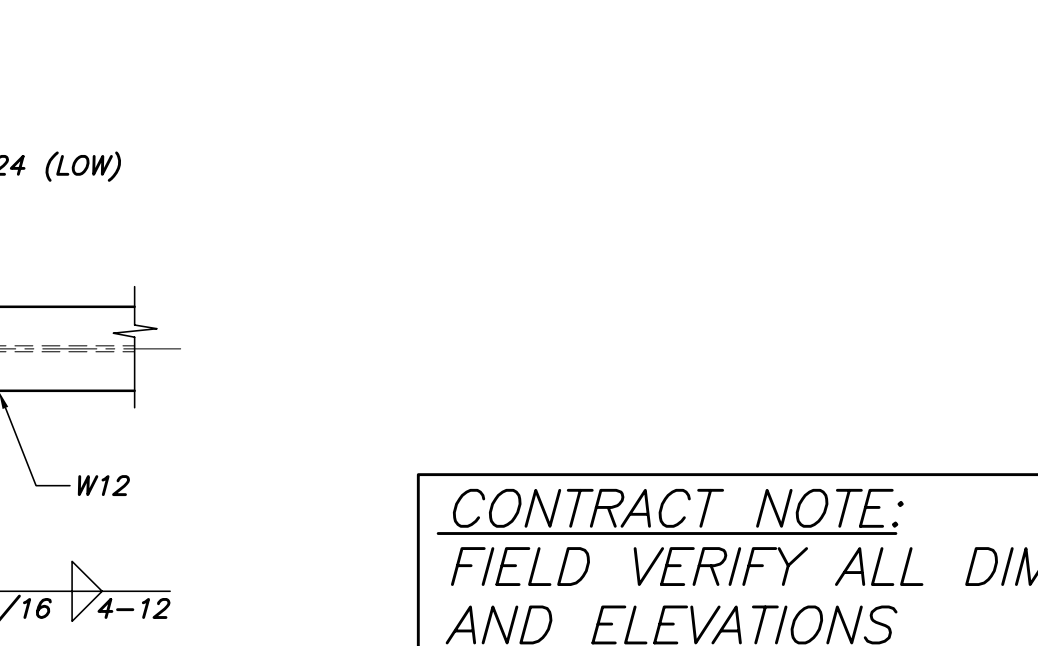
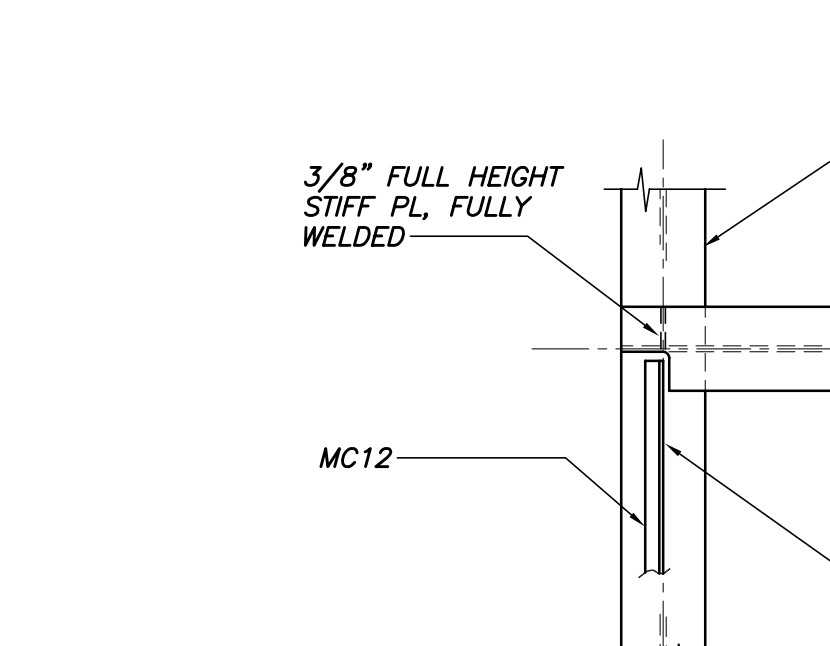


SECTION 1  
3/4"=1'-0"  
NOTE: (3) LOCATIONS

SECTION 2  
3/4"=1'-0"  
NOTE: (4) LOCATIONS

SECTION 3  
3/4"=1'-0"  
NOTE: (4) LOCATIONS

SECTION 4  
3/4"=1'-0"  
NOTE: (4) LOCATIONS

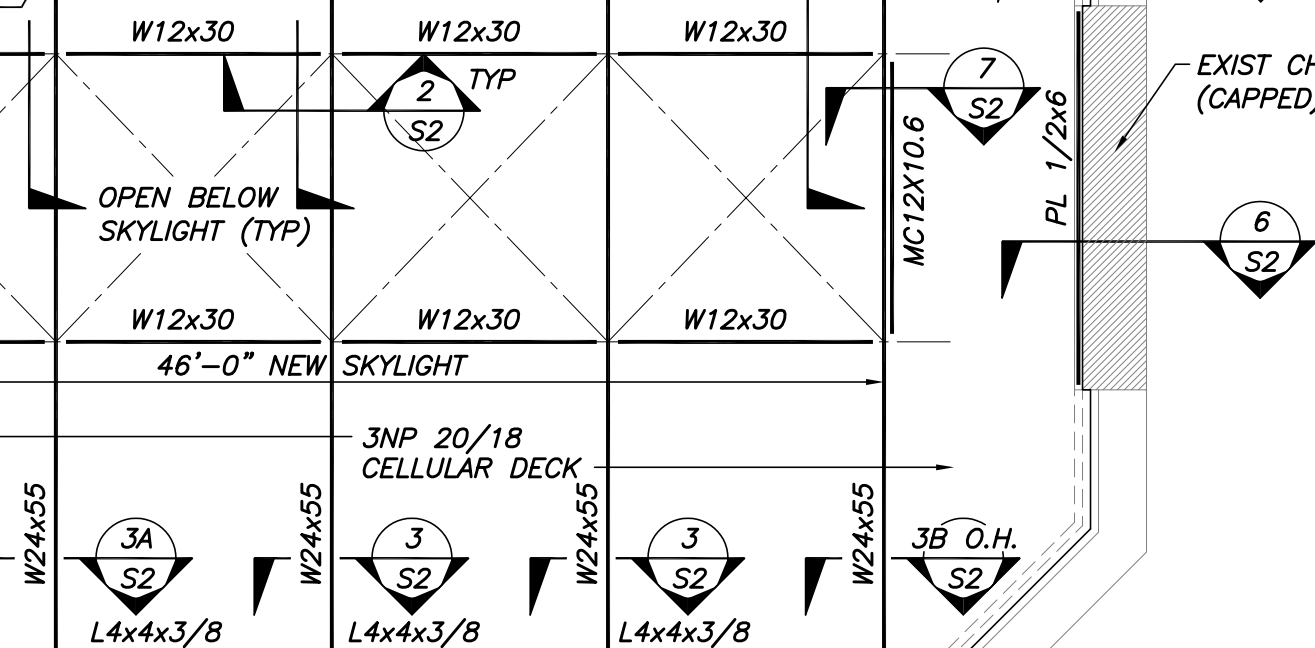
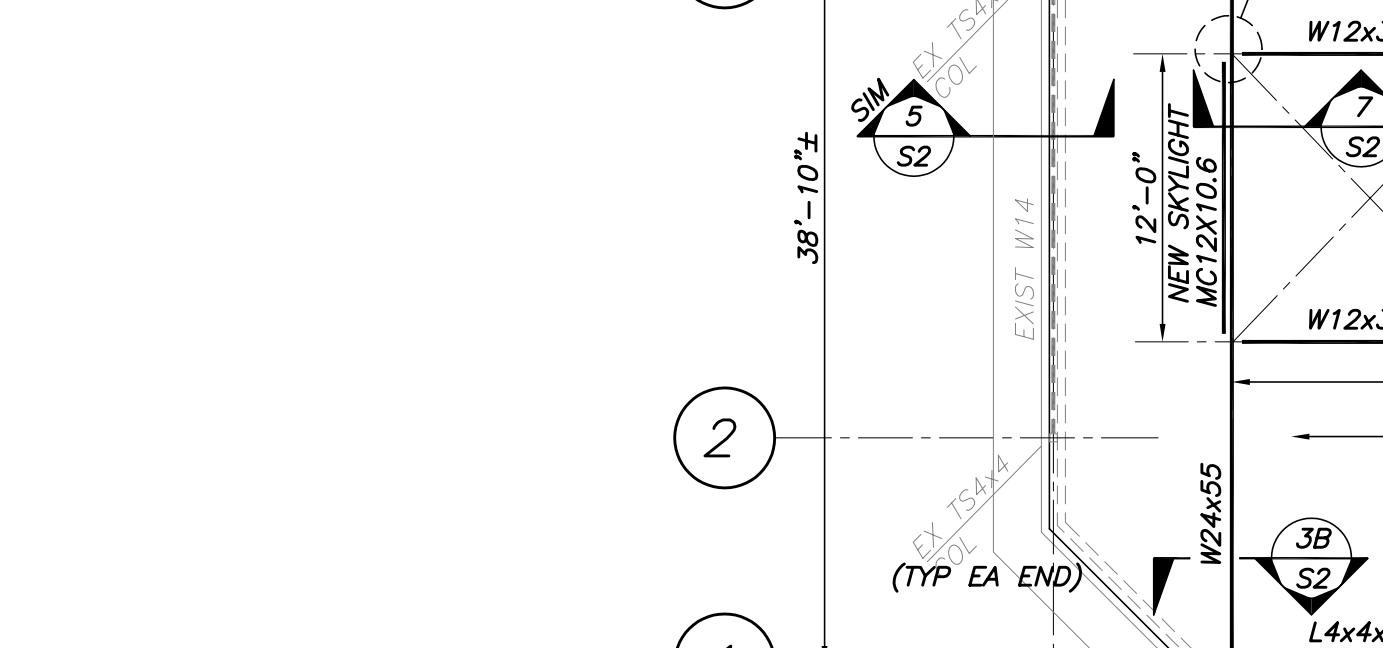
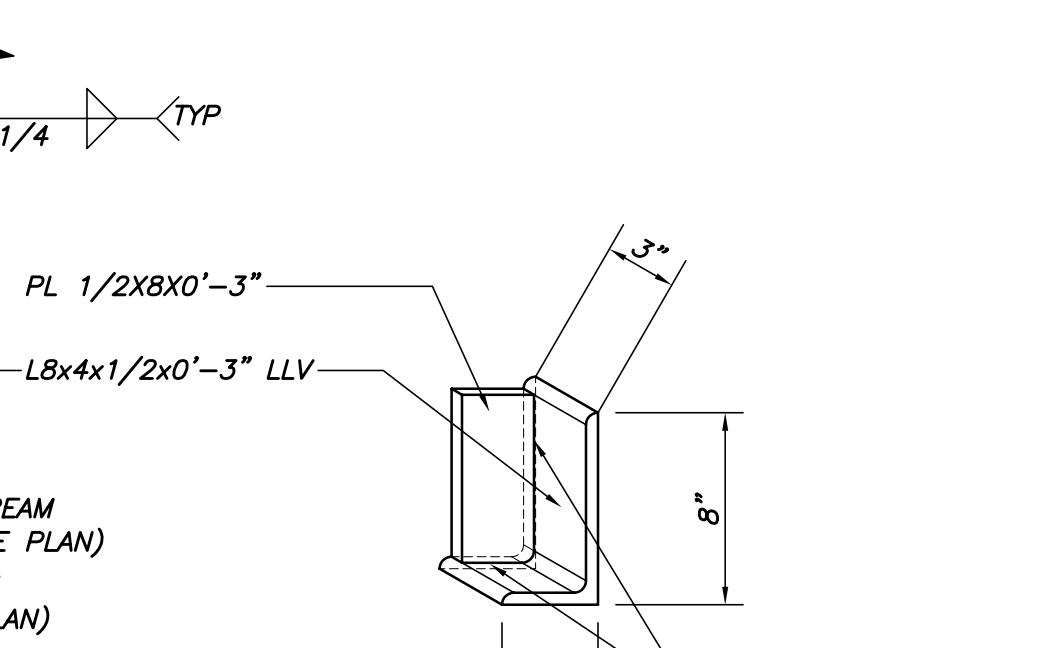
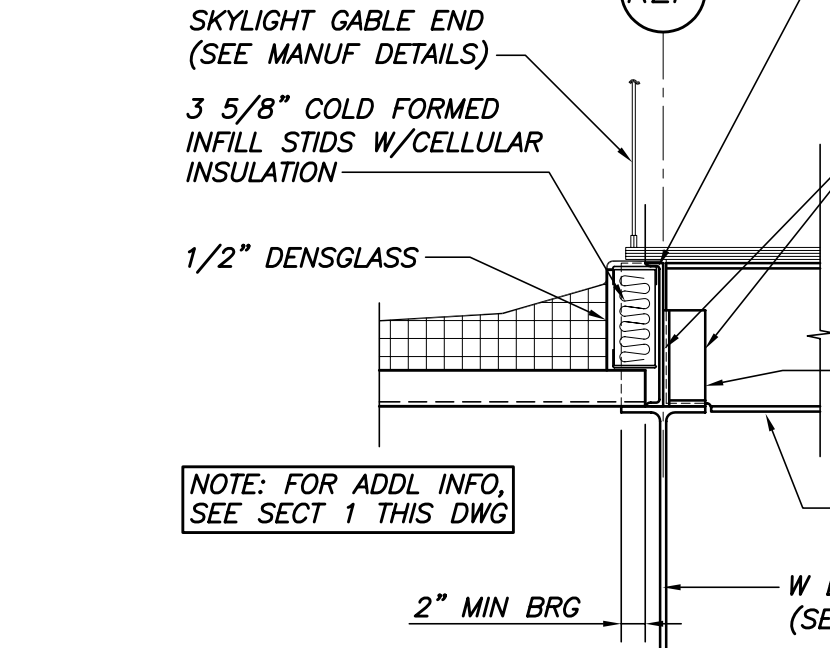


SECTION 1  
3/4"=1'-0"  
NOTE: (3) LOCATIONS

SECTION 2  
3/4"=1'-0"  
NOTE: (4) LOCATIONS

SECTION 3  
3/4"=1'-0"  
NOTE: (4) LOCATIONS

SECTION 4  
3/4"=1'-0"  
NOTE: (4) LOCATIONS



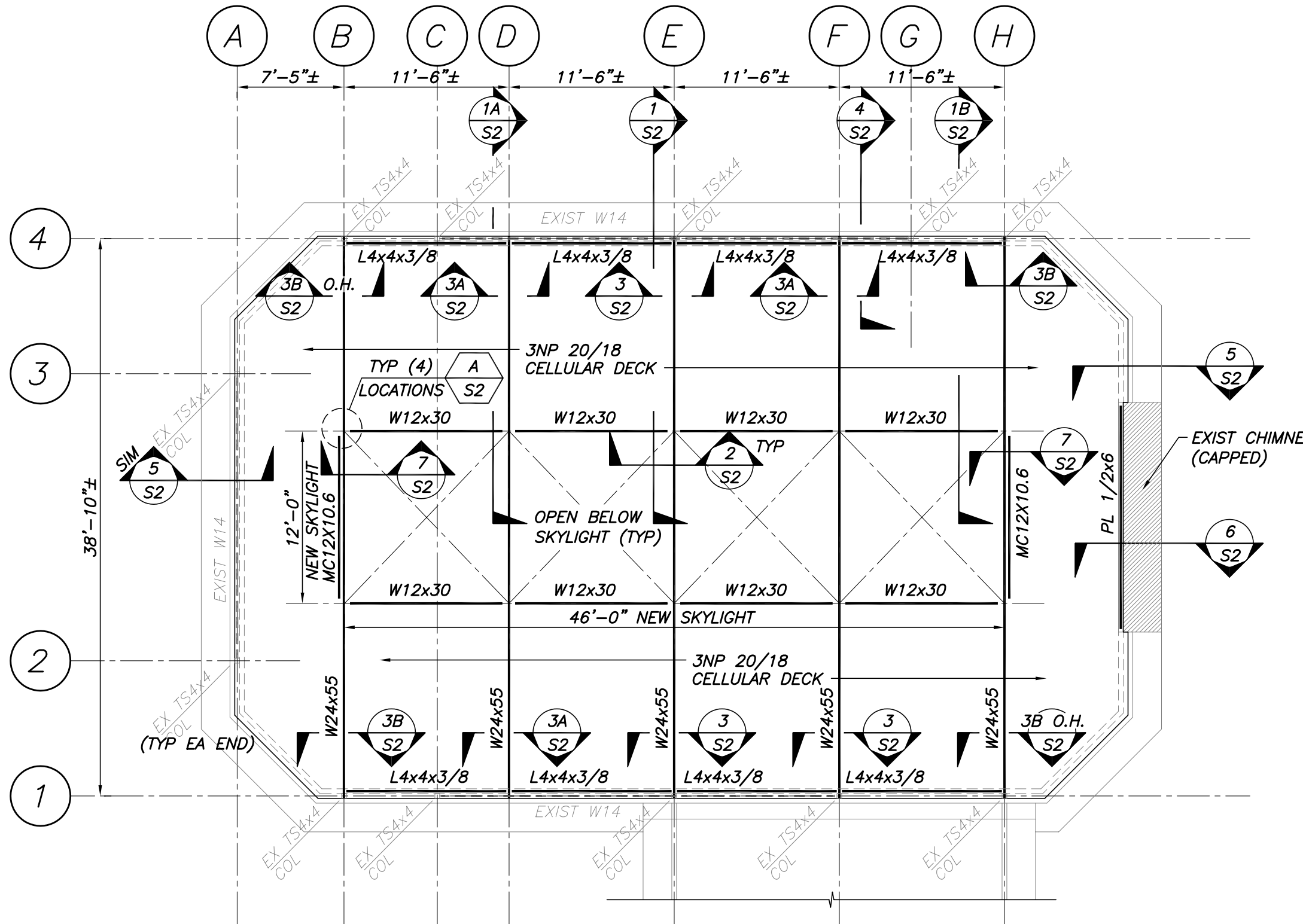
SECTION 1  
3/4"=1'-0"  
NOTE: (3) LOCATIONS

SECTION 2  
3/4"=1'-0"  
NOTE: (4) LOCATIONS

SECTION 3  
3/4"=1'-0"  
NOTE: (4) LOCATIONS

SECTION 4  
3/4"=1'-0"  
NOTE: (4) LOCATIONS

CONTRACT NOTE:  
FIELD VERIFY ALL DIMENSIONS  
AND ELEVATIONS



ROOF FRAMING PLAN  
1/8"=1'-0"

NOTES:  
1. FIELD VERIFY ALL DIMENSIONS PRIOR TO FABRICATION.

THIS DRAWING IS AN INSTRUMENT OF SERVICE AND SHALL REMAIN THE PROPERTY OF BECKER STRUCTURAL ENGINEERS, INC. IT SHALL NOT BE REPRODUCED, COPIED, LENT OR DISPOSED OF DIRECTLY OR INDIRECTLY, NOR USED FOR ANY PURPOSE OTHER THAN FOR WHICH IT IS SPECIFICALLY FURNISHED AND MUST BE RETURNED TO BECKER STRUCTURAL ENGINEERS, INC. ON COMPLETION OF WORK, IF REQUESTED.

**BECKER**  
STRUCTURAL ENGINEERS, INC.  
75 York Street  
Portland, ME 04101-4701  
Tel: 207-999-1888  
Fax: 207-999-1822  
www.becker-engineers.com

Howard Johnsons Plaza Hotel  
Portland, Maine  
Pool Roof Replacement  
Roof Plans & Sections

Scale: NOTED  
Date: 09/02/04  
Job Number: 1244

S2