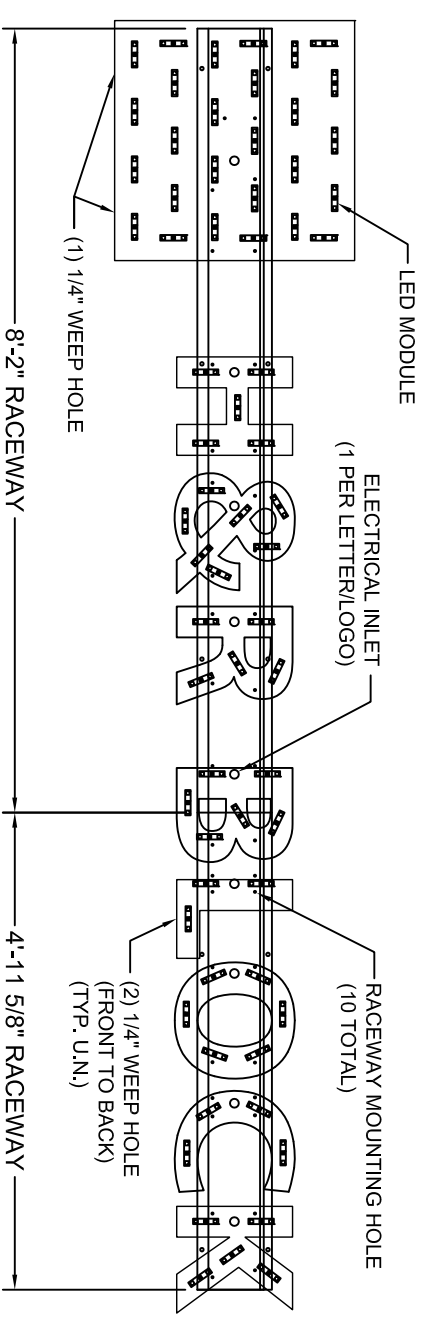
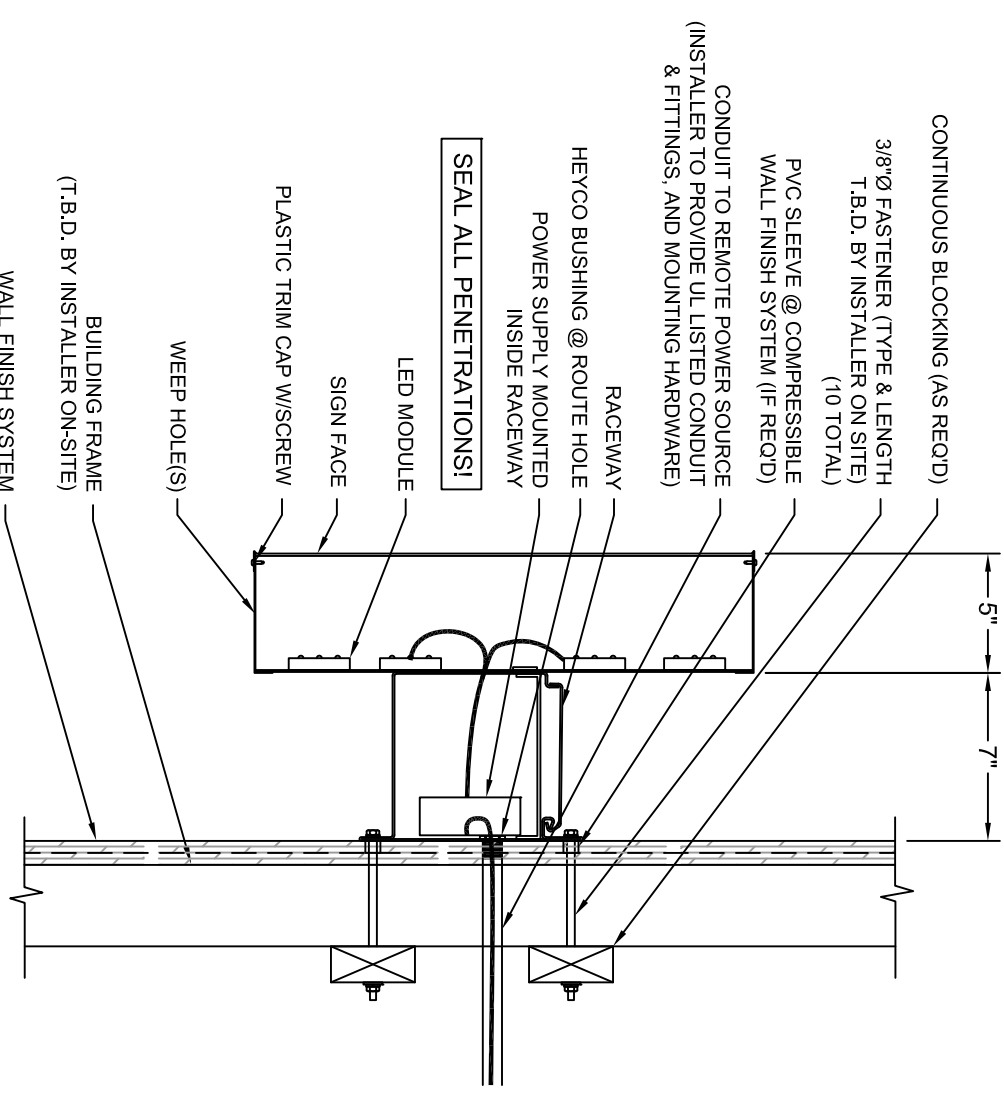


**FRONT VIEW**  
SCALE 1/2" = 1'-0"



**FRONT VIEW (W/O FACES)**  
SCALE 1/2" = 1'-0"



**ELECTRICAL SPECS.**  
(2) LED 60 WATT POWER SUPPLY  
0.60 AMPS EA. TOTAL 1.20 AMPS  
@120VAC (INPUT)  
\*USE (1) 20 AMP CIRCUIT

**SECTION VIEW**  
SCALE 1 1/2" = 1'-0"

- INSTALLATION INSTRUCTIONS**
1. OPEN PACKAGING CAREFULLY AND INSPECT FOR DAMAGE. IF DAMAGE IS FOUND, CLAIM MUST BE FILED WITHIN 15-DAYS WITH SHIPPING AGENT.
  2. DETERMINE SIGN LOCATION AND TAPE UP THE PROVIDED TEMPLATE ON THE SURFACE TO WHICH IT WILL BE INSTALLED. RECEIVE CONFIRMATION FROM CLIENT OR CONTRACTOR.
  3. LAYOUT AND PRE-DRILL ALL MOUNTING AND ELECTRICAL HOLES REQUIRED FOR MOUNTING THE SIGN/RACEWAY ON THE WALL IT IS TO BE INSTALLED.
  4. FILL ALL HOLES WITH SILICONE PRIOR TO MOUNTING THE SIGN.
  7. ATTACH THE HORIZONTAL BLOCKING BEHIND WALL STUDS SO ALL CONNECTION POINTS HAVE SUPPORT.
  5. ALIGN RACEWAY MATCHING PRE-DRILLED HOLES WHILE INSERTING FASTENER THROUGH RACEWAY. WALL AND BLOCKING. FASTEN WITH WASHERS & NUTS. USE PVC SLEEVES TO PROTECT BUILDING FINISH SYSTEM OVER SHEATHING.
  6. MAKE FINAL ELECTRICAL HOOK UP TO PRIMARY WIRING OF POWER SUPPLIES THROUGH DRILLED ELECTRICAL HOLES.
  9. TEST LIGHT THE SIGN TO ENSURE THE SIGN IS LIGHTED AND FUNCTIONING PROPERLY..
  11. PERFORM TOUCH UP AS REQUIRED
  12. CLEAN UP: CLEAN INSTALLATION WORK SITE OF ALL EXCESS MATERIALS AND DEBRIS.
- CLEAN UP NOTE: DO NOT DISCARD ANY MATERIAL OR DEBRIS INTO ON SITE DUMPSTERS.

**GENERAL NOTES**  
INCLUDE PHOTOS OF MOUNTING/CONNECTION POINTS OVERALL COMPLETED ELEVATION.

THIS SIGN IS INTENDED TO BE INSTALLED IN ACCORDANCE WITH THE REQUIREMENTS OF ARTICLE 600 OF THE NATIONAL ELECTRIC CODE AND/OR OTHER APPLICABLE LOCAL CODES. THIS INCLUDES PROPER GROUNDING AND BONDING OF THE SIGN.

REVISIONS				DWG TITLE		SITE	
REV.	DESCRIPTION	DATE	DRN	CHK	H&R BLOCK 30" LED LOGO & 15" LED LETTERS W/ RACEWAY - WALL MOUNT		HRB18915 190 RIVERSIDE ST. PORTLAND, ME 04103
A	RELEASED FOR INSTALL	10-22-13	SAJ	RHB	DRAWN BY SAJ	DATE 10-22-13	SCALE AS SHOWN
					CHK'D BY RHB	DATE 10-22-13	PIF REF 302845
				DWG NO.		REV.	
				IN04044B		A	
				THESE DRAWINGS ARE THE EXCLUSIVE PROPERTY OF EVERBRITE, LLC. USE OF OR DUPLICATION IN ANY MANNER WITHOUT EXPRESS WRITTEN PERMISSION OF EVERBRITE, INC. IS PROHIBITED.		 4949 SO. 110TH ST. P.O. BOX 20020 GREENFIELD, WI 53220 414-529-3500	