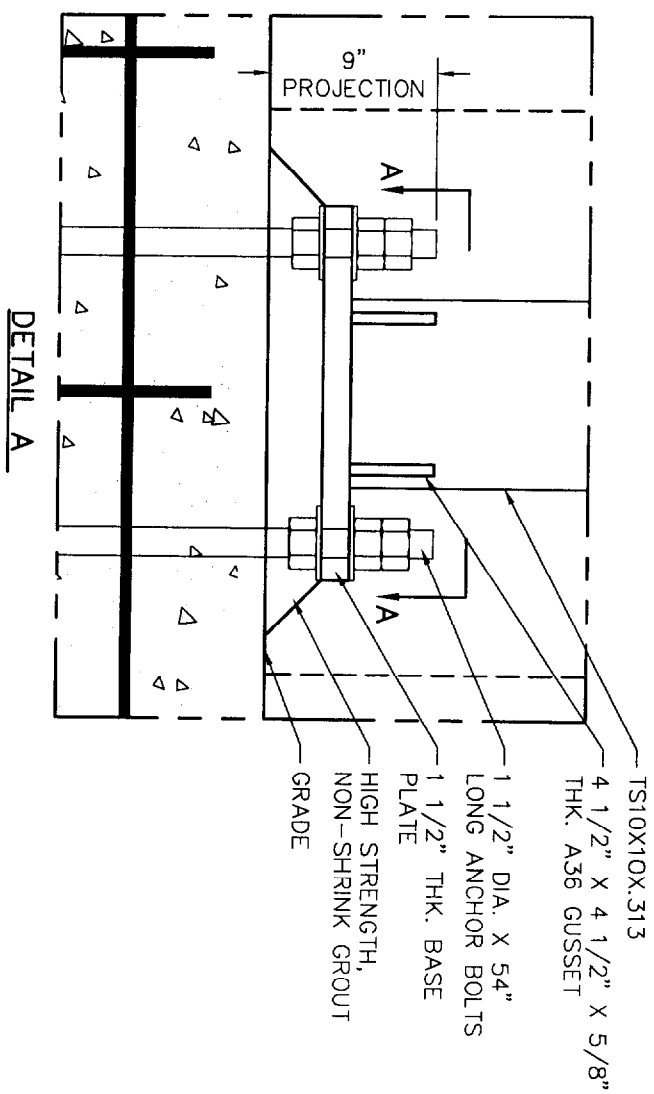
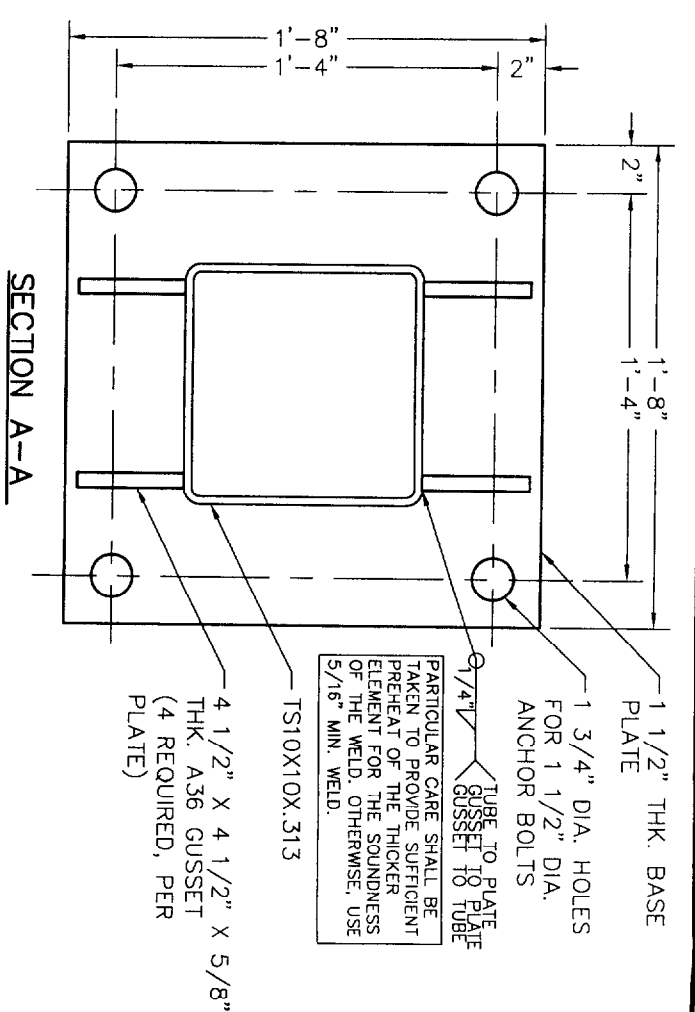


TS10X10X.313  
 COLUMN CLADDING  
 SEE DETAIL A  
 1 1/2" DIA. X 54" LONG ANCHOR BOLTS (4 PER PLATE)  
 GRADE  
 (6) #6 HORIZONTAL BARS ON 18" CENTERS, TYPICAL EACH FACE.  
 (5) #6 VERTICAL BARS ON 18" CENTERS, TYPICAL EACH FACE.  
 DO NOT WELD REBAR.



9.07 CU. YD.  
 CONC. REQ'D.  
 PER FOUNDATION.  
 ELECTRICAL  
 BY OTHERS

**INSISEE**  
 Engineering & Consulting Corp.  
 A Wholly Owned Subsidiary of The InSite Group  
 7675 Oak Ridge Highway Knoxville, Tennessee • 37931  
 (865)342-8333 • Fax: (865)538-2810

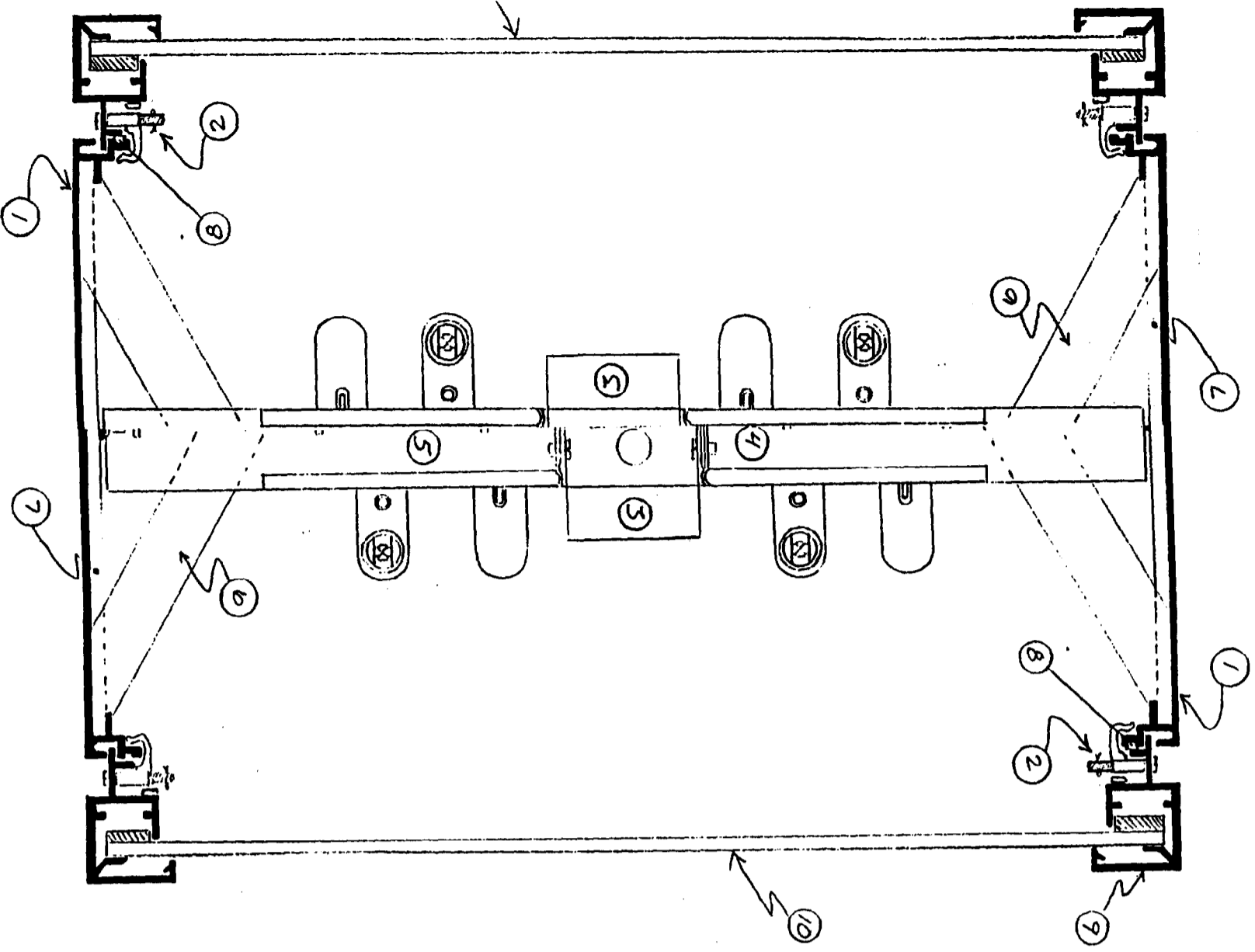
INSTALLATION ADDRESS:  
 WESTBROOK CROSSING  
 WESTBROOK CROSSING  
 WESTBROOK, ME

CLIENT:  
 BAILEY SIGN  
 9 THOMAS DRIVE  
 WESTBROOK, ME

Project Number: 111549  
 Drawing Number: B176001

SHEET: 1 OF 2  
 BY: TDR  
 DATE: MAR. 9, 2004

*Handwritten:* 03/09/04



D/F Faced Sign w/ Single Filler

- 1 - SINGLE FILLER - 8" DEPTH, ALLOY 6063-T5
- 2 - HINGE/LOCKING DEVICE - ALLOY 6005-T5, AN ALUM. EXTRUSION (COMBINED W/ A SPRING ENABLING THE HINGE/LOCKING TO MOVE OUT OF WAY FOR SERVICING, HINGED AT TOP)
- 3 BALLAST + SOCKETS - OUTDOOR, HIGH OUTPUT BALLAST FASTENED TO RACEWAY W/ SPECIALLY DESIGNED MOUNTING BRACKETS. RACEWAY COVERS SUPPLIED AND DESIGNED TO FIT TOBASTONE SOCKETS.
- 4 SIGN BACKING - 23 GAUGE ALUM., INSIDE PRECOATED HIGH-GLOSS WHITE, ENSURES EVEN DISTRIBUTION OF LIGHT. SIGN BACKING IS RIB RIVETED TO SINGLE FILLER W/ ALUM RIVETS, 3/16" x 3/8" x 6" O.C.
- 5 RACEWAY + COVERS - PRECOATED WHITE ENAMEL SHEET METAL, ROLL FORMED SO THAT KNOCK-OUT D HOLE COVER SNAPS ON TO RACEWAY BOTTOMS. RACEWAYS ARE FASTENED TO SIGN BACK W/ RIVETS.
- 6 GASKETS - ALUM., FASTEN TO RACEWAY AND FILLER TO FORM A BRACING THAT STRENGTHENS THE CABINET.
- 7 FILLER CORNER BRACKET + JOINER. BRACKET - ALUM. EXTRUSION, ALLOY 6063-T5, FASTENED W 6 x 3/16" SOCKET HEAD SCREWS.
- 8 P.V.C. GASKET - SLIDES INTO FILLER WITHOUT ADHESIVES FOR A TIGHT SEAL PREVENTING ELECTRICAL COMPONENTS FROM OVERHEATING, W/ APPROVED.
- 9 - 1 1/2" FRAME - ALUM EXTRUSION, ALLOY 6063-T5 DESIGNED FOR USE W/ HINGE LOCKING DEVICE, FOR RIGID FACE APPLICATION
- 10 1/8" LEAD FRAME + HANGING STRIPS - 1/8" LEAD FRAME W/ HANGING STRIPS TOP + BOTTOM TO PREVENT FACE FROM BLOWING OUT.

SIGN SPECIFICATIONS

<input type="checkbox"/> ILLUMINATED		# ROWS NEON		NEON COLOR		NEON MM	
<input type="checkbox"/> NON-ILLUMINATED							
CABINET TYPE	SF	HEIGHT	LENGTH	WIDTH	RADIUS	MATERIAL	RETAINER
	DF						DIVIDERS
FACE MATERIAL	TRIM SIZE		# ROWS TRACK		RAB		SIZE
	COLOR				BRAND GAUGE		COLOR
LAMPS	# LAMPS	BALLASTS		# ELECTRICAL LINES		AMPS/VOLTAGE	
				120 Volts			



Customer

Location

Designer  
L. MERRIFIELD

Sales  
Z. L.

Revised


Scale *NAVE*

Date

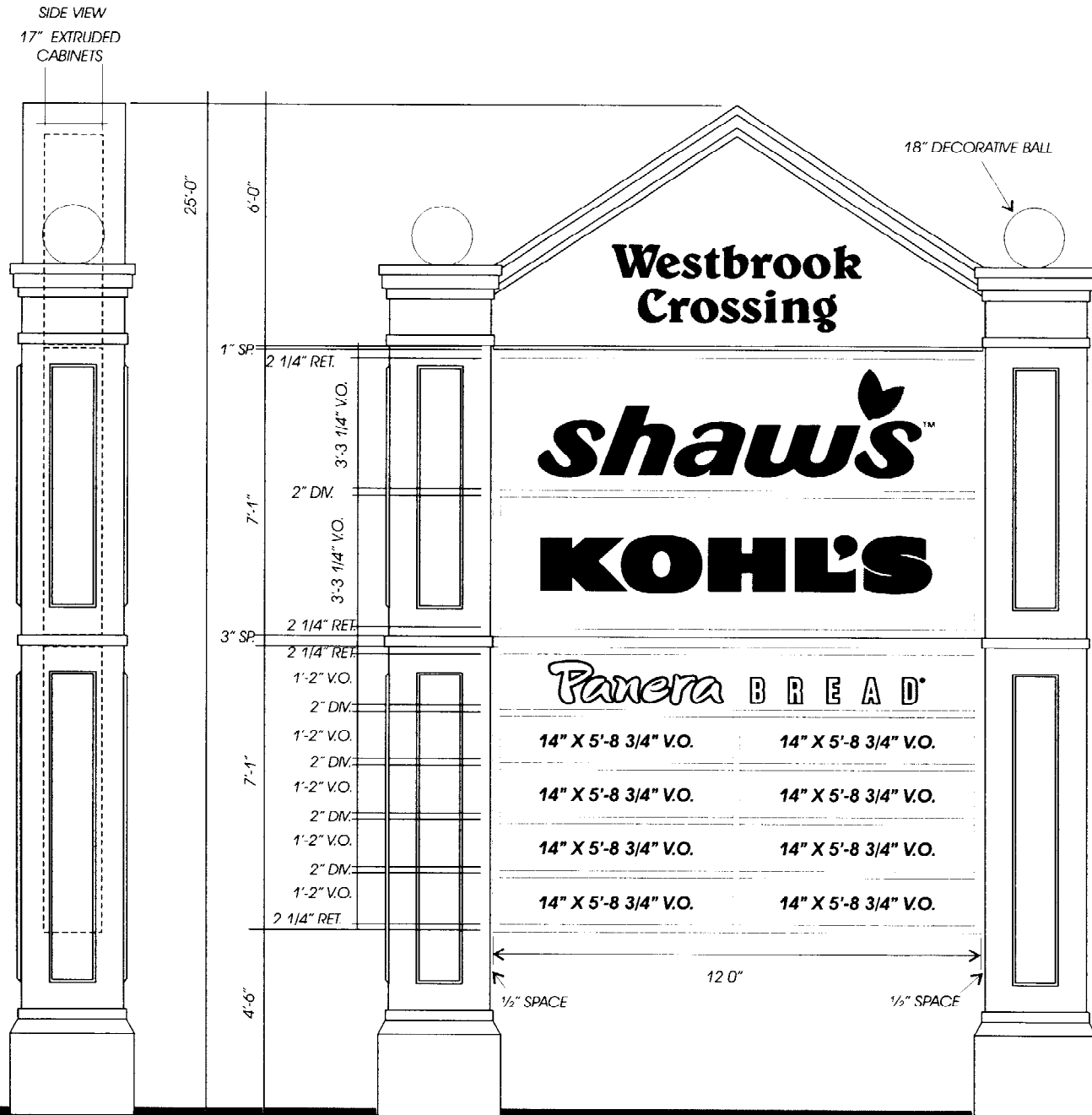
Job/W.O.#

Sheet



CONCEPT DRAWING FOR (2) INTERNALLY ILLUMINATED PYLONS

ALL D.F. CABINETS: SIGNCOMP ALUMINUM EXTRUDED CABINETS  
17" WIDE BODY W/ 2 1/4" RETAINERS



(1) D.F. TOP INTERNALLY ILLUMINATED

TRIM & BALLS: PAINT TO MATCH BUILDING WOOD TRIM COLORS  
BENJAMIN MOORE #2165-70 BUTTER PECAN  
METAL TOP WITH JIGGED OUT COPY: PAINT TO MATCH BUILDING CLAPBOARDS  
BENJAMIN MOORE #2165-50 PEARL HARBOR  
10" JIGGED OUT COPY LETTERS  
BACKED UP WITH PLEXI AND GERBER TRANS. LT. RUST VINYL  
10.22 SQ. FT.

POLE WRAPS AND RAISED PANELS: PAINT TO MATCH BUILDING CLAPBOARD COLOR  
BENJAMIN MOORE #2165-50 PEARL HARBOR  
MONTEK FINISH

ALL TENANTS WILL SUPPLY AND INSTALL THEIR OWN PANELS  
FOR EACH SIDE OF BOTH SIGNS.  
ALL TENANTS WILL HAVE OPAQUED BIG WITH ILLUMINATED COPY

(1) D.F. 7'-1" X 12'-0" X \_\_\_\_\_" INTERNALLY ILLUMINATED SIGN

CABINET, 2 1/4" RETAINER & 2" DIVIDER: PAINT TO MATCH OPAQUED VINYL TENANT PANELS  
BENJAMIN MOORE #2165-70 BUTTER PECAN

FACES: LEXAN  
UNIFORM BIG: OPAQUED GERBER TRANS. IVORY VINYL

(2) TENANTS: 3'-3 1/4" X 11'-7 1/2" V.O.  
SHAW'S: VINYL COPY SHAW'S ORANGE AND GREENS  
KOHL'S ART AND COLOR SPECS ARE NEEDED

85 SQUARE FEET

(1) D.F. 7'-1" X 12'-0" X \_\_\_\_\_" INTERNALLY ILLUMINATED SIGN

CABINET, 2 1/4" RETAINER & 2" DIVIDER: PAINT TO MATCH BUILDING WOOD TRIM  
BENJAMIN MOORE #2165-70 BUTTER PECAN

FACES: LEXAN  
UNIFORM BIG: OPAQUED GERBER TRANS. IVORY VINYL

(1) TENANT: 1'-4 1/2" X 11'-7 1/2" V.O.  
PANERA COPY: WHITE BLACK VINYL OUTLINES

(8) TENANTS: 1'-2" X 5'-8 3/4" V.O.  
ART & COLOR SPECS ARE NEEDED

85 SQUARE FEET

NOTES:

APPROVED MANUFACTURING DATE

VOLTAGE:

2/25/04 ADD BALLS, SIDING, CAB. SP.  
2/25/04 COLORS AND PROFILE / CAB. NOTES  
3/4/04 INC. SIZE OF CUT OUTS  
3/10/04 TENANT CABINET COLORS / REVISED ADD TRIM SCALE

**Bailey Sign** Incorporated  
www.baileysign.com  
9 Thomas Drive  
Col. Westbrook Executive Park  
Westbrook, ME 04092  
207-774-2843 / 1-800-539-SIGN  
Fax: 774-1193  
E-Mail: newsign@baileysign.com  
© COPYRIGHT 2004

PLEASE NOTE:

THIS IS A PROGRESS PRINT - FIELD MEASUREMENTS MAY OR MAY NOT NEED TO BE VERIFIED.  
THIS DESIGN IS THE EXCLUSIVE PROPERTY OF BAILEY SIGN INCORPORATED AND ALL RIGHTS TO ITS USE OR REPRODUCTION ARE RESERVED.  
THE ACCURACY OF THIS COLOR RENDERING IS LIMITED BY MEDIA AND OUTPUT DEVICES AND IS INTENDED FOR REPRESENTATIONAL USE ONLY. ACTUAL MANUFACTURING/GRAPHIC COLORS ALSO VARY DEPENDING ON PROCESSES & MATERIALS USED. 100% COLOR MATCHES OF SUBMITTED SPECIFICATIONS CAN NOT BE GUARANTEED.  
IF AN ELECTRIC SIGN, THEN INSTALLATION MUST BE ACCOMPLISHED IN TOTAL COMPLIANCE WITH ARTICLE 600 OF THE NATIONAL ELECTRIC CODE, THE REQUIREMENTS OF UNDERWRITERS LABORATORY, CANADIAN STANDARDS ASSOCIATION, AND/OR ANY APPLICABLE LOCAL CODES. THIS INCLUDES PROPER GROUNDING AND BONDING OF THE SIGN

ALL ELECTRICAL SIGNS REQUIRE ROUTINE MAINTENANCE.

CLIENT ACCEPTANCE SIGNATURE DATE

CUSTOMER: W.S. DEVELOPMENT  
LOCATION: WESTBROOK CROSSING, WESTBROOK, MAINE

SALESPERSON: R.B. DRAWN BY: L.W.M.

PS. # D-425 W.O. #  
SCALE 1/4" = 1' DATE 12/24/03

DRAWING NO: 05205 R4  
SHEET /



U.L.#'s - DA 071613  
DA 071614

CONCEPT DRAWING FOR (2) INTERNALLY ILLUMINATED PYLONS

1-pylon for  
Riverside  
Street  
Entrance

ALL D.F. CABINETS: SIGNCOMP ALUMINUM EXTRUDED CABINETS  
17" WIDE BODY W/ 2 1/4" RETAINERS

(1) D.F. TOP INTERNALLY ILLUMINATED

TRIM & BALLS: PAINT TO MATCH BUILDING WOOD TRIM COLORS  
BENJAMIN MOORE #2165-70 BUTTER PECAN

METAL TOP WITH JIGGED OUT COPY: PAINT TO MATCH BUILDING CLAPBOARDS  
BENJAMIN MOORE #2165-50 PEARL HARBOR

10" JIGGED OUT COPY LETTERS  
BACKED UP WITH PLEXI AND GERBER TRANS. LT. RUST VINYL  
10.22 SQ. FT.

POLE WRAPS AND PANELS: PAINT TO MATCH BUILDING CLAPBOARD COLOR  
BENJAMIN MOORE #2165-50 PEARL HARBOR  
MONTEX FINISH

ALL TENANTS WILL SUPPLY AND INSTALL THEIR OWN PANELS  
FOR EACH SIDE OF BOTH SIGNS  
ALL TENANTS WILL HAVE PANELED BIG WITH ILLUMINATED COPY

(1) D.F. 7'-1" X 12'-0" X " INTERNALLY ILLUMINATED SIGN

CABINET: 2 1/4" RETAINER & 2" DIVIDER: PAINT TO MATCH OPAQUE VINYL TENANT PANELS  
BENJAMIN MOORE #2165-70 BUTTER PECAN

FACES: LEXAN

UNIFORM BIG: OPAQUE GERBER TRANS. MORY VINYL

(2) TENANTS: 3-3 1/4" X 11'-7 1/2" V.O.

SHAW'S: VINYL COPY SHAW'S ORANGE AND GREENS

KOHL'S ART AND COLOR SPECS ARE NEEDED

85 SQUARE FEET

(1) D.F. 7'-1" X 12'-0" X " INTERNALLY ILLUMINATED SIGN

CABINET: 2 1/4" RETAINER & 2" DIVIDER: PAINT TO MATCH BUILDING WOOD TRIM  
BENJAMIN MOORE #2165-70 BUTTER PECAN

FACES: LEXAN

UNIFORM BIG: OPAQUE GERBER TRANS. MORY VINYL

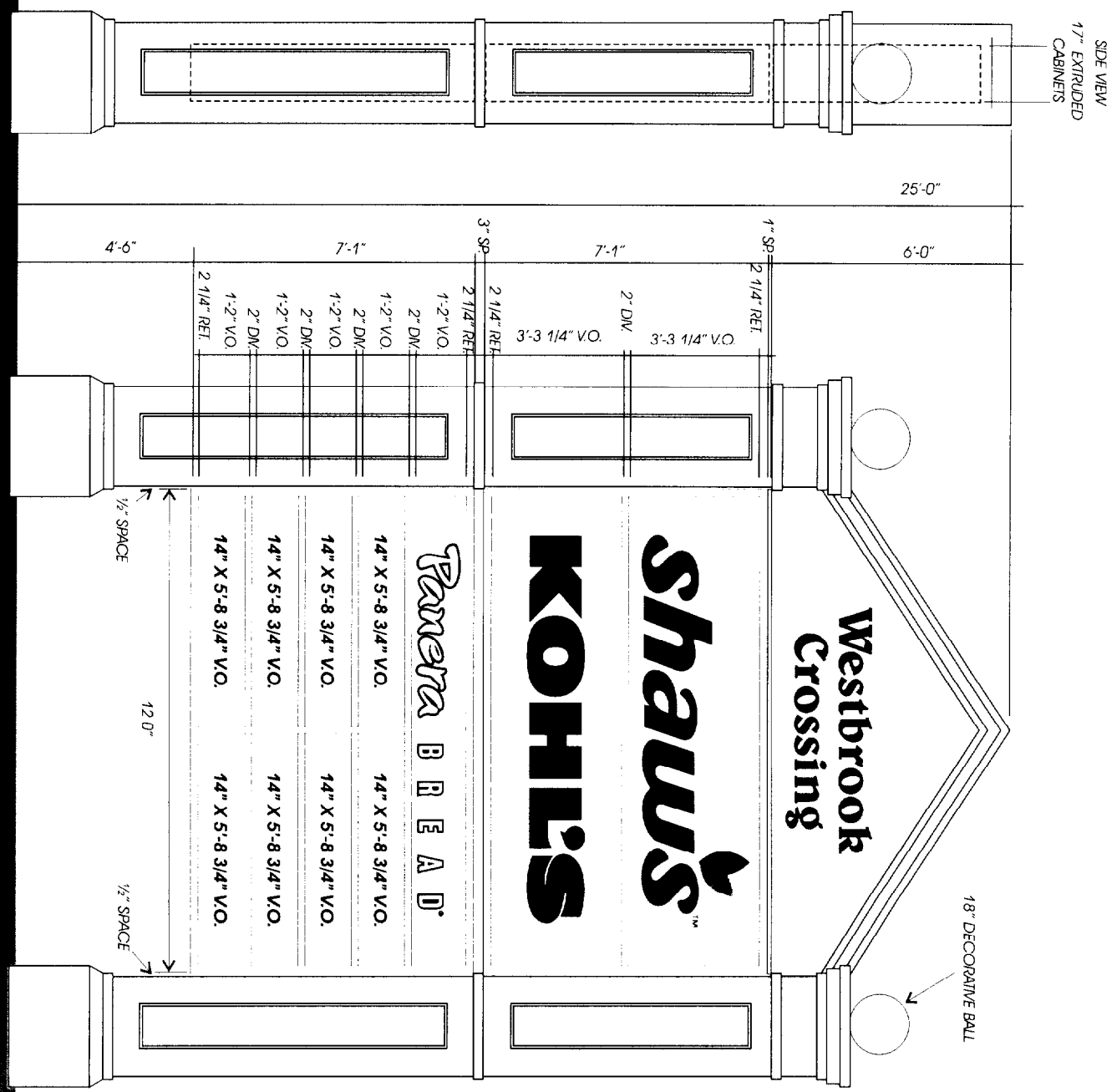
(1) TENANT: 1'-4 1/2" X 11'-7 1/2" V.O.

PANERA COPY: WHITE BLACK VINYL OUTLINES

(8) TENANTS: 1'-2" X 5'-8 3/4" V.O.

ART & COLOR SPECS ARE NEEDED

85 SQUARE FEET



MAR 23 2004

BAILEY SIGN



NOTES:

APPROVED MANUFACTURING DATE	
VOLTAGE:	
2/25/04 ADD BALLS SIDING, CAB. SP	
2/25/04 COLORS AND PROFILE / CAB. NOTES	
3/4/04 INC. SIZE OF CUT OUTS	
3/10/04 TENANT CABINET COLORS / REVISED ADD TRIM SCALE	

**Bailey Sign** Incorporated  
www.baileysign.com  
9 Thomas Drive  
Col. Westbrook Executive Park  
Westbrook, ME 04092  
207-774-2843 / 1-800-539-SIGN  
Fax: 774-1193  
E-Mail: newsign@baileysign.com  
COPYRIGHT 2004

PLEASE NOTE:

THIS IS A PROGRESS PRINT - FIELD MEASUREMENTS MAY OR MAY NOT NEED TO BE VERIFIED.  
THIS DESIGN IS THE EXCLUSIVE PROPERTY OF BAILEY SIGN INCORPORATED AND ALL RIGHTS TO ITS USE OR REPRODUCTION ARE RESERVED.  
THE ACCURACY OF THIS COLOR RENDERING IS LIMITED BY MEDIA AND OUTPUT DEVICES AND IS INTENDED FOR REFERENCE ONLY. ACTUAL MANUFACTURING GRAPHIC COLORS ALSO VARY DEPENDING ON PROCESSORS & MATERIALS USED. 100% COLOR MATCHES OF SUBMITTED SPECIFICATIONS CAN NOT BE GUARANTEED.  
IF AN ELECTRIC SIGN, THEN INSTALLATION MUST BE ACCORDING TO ALL APPLICABLE LOCAL, STATE AND FEDERAL CODES AND/OR ANY APPLICABLE LOCAL CODES. THIS INCLUDES PROPER GROUNDING AND BONDING OF THE SIGN.  
ALL ELECTRICAL SIGNS REQUIRE ROUTINE MAINTENANCE.

CLIENT	DATE
ACCEPTANCE SIGNATURE	DATE
CUSTOMER:	W.S. DEVELOPMENT
LOCATION:	WESTBROOK CROSSING, WESTBROOK MAINE
SALES/PERSON:	R.B. DRAWN BY: L.W.M.
RS. #	D-425
SCALE	1/4" = 1'
DRAWING NO.:	05205 R4
DATE	12/24/03