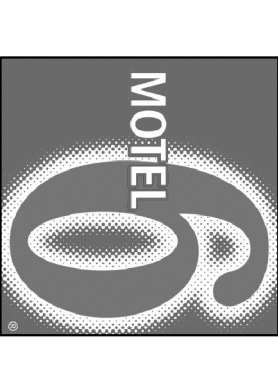
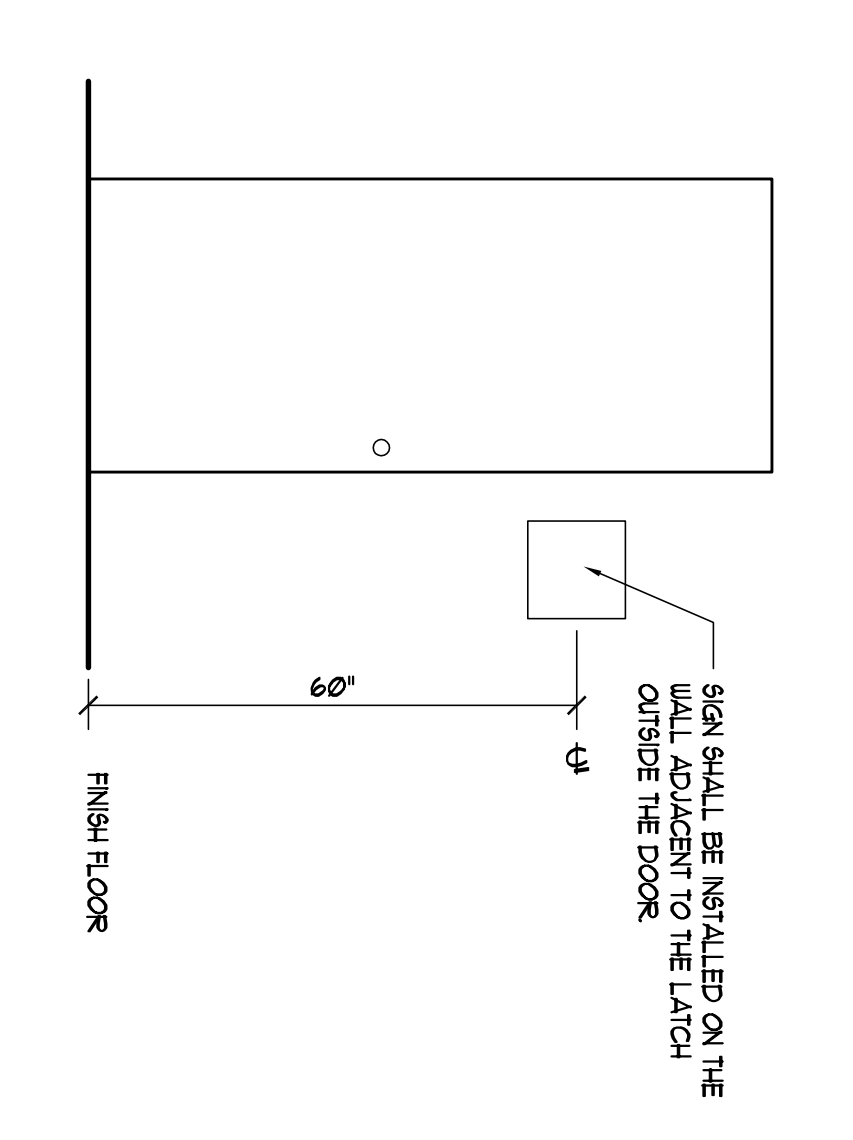
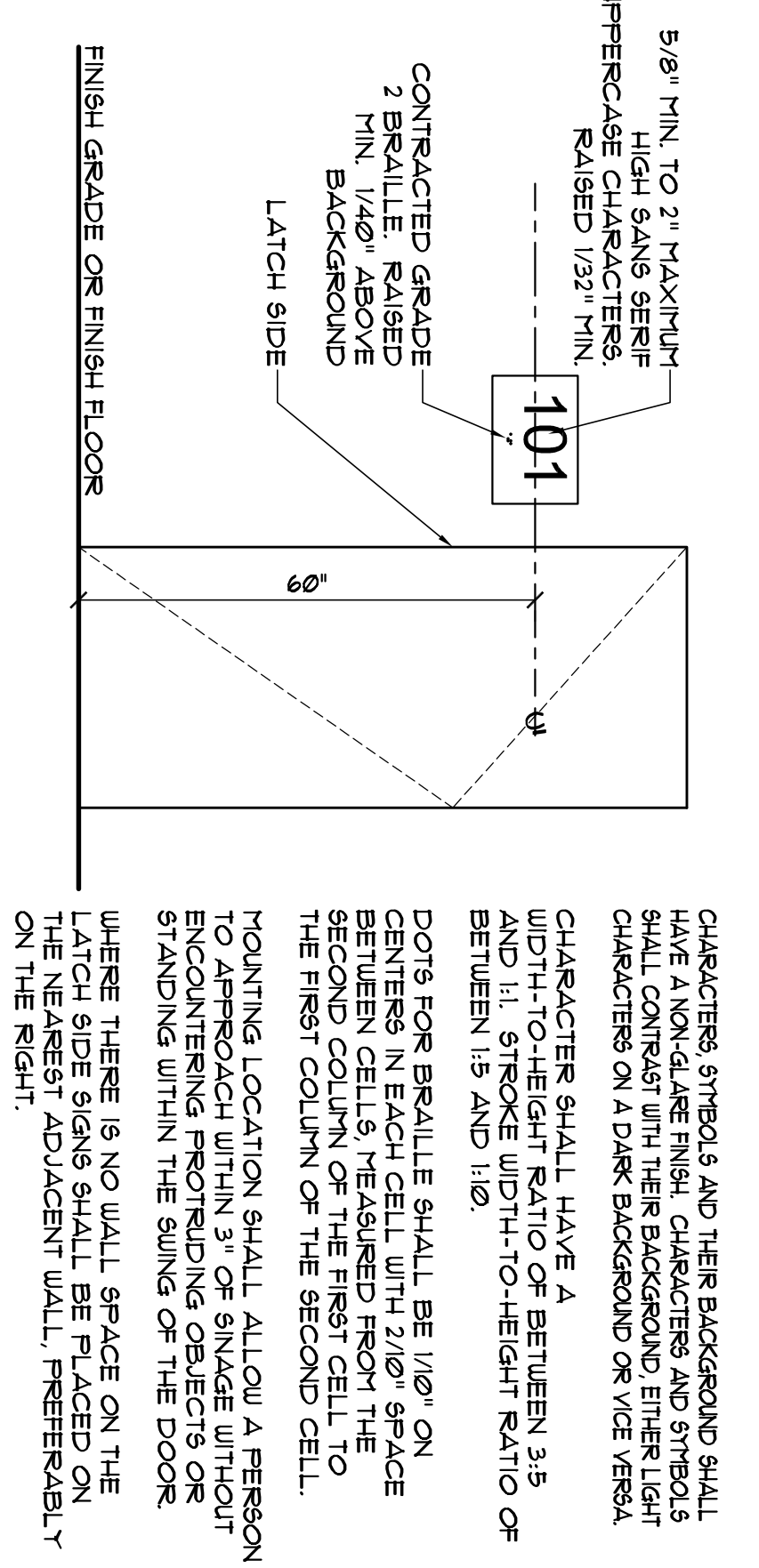


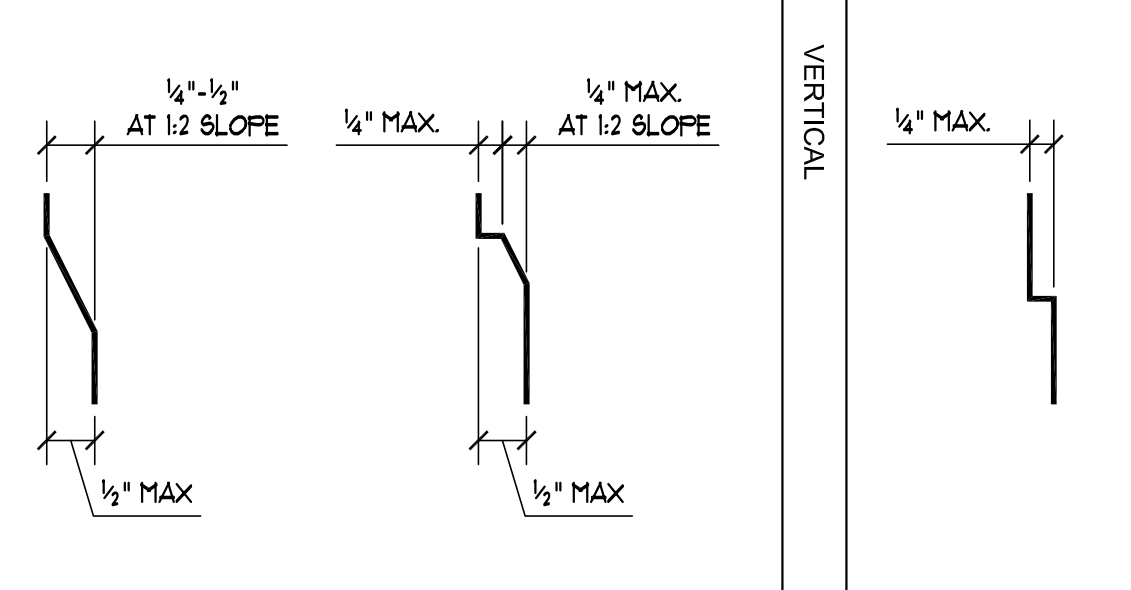
Site 2008
2708 South Loring Blvd.
Portland, ME 04106
(1) 512-916-0041
(7) 512-916-0051



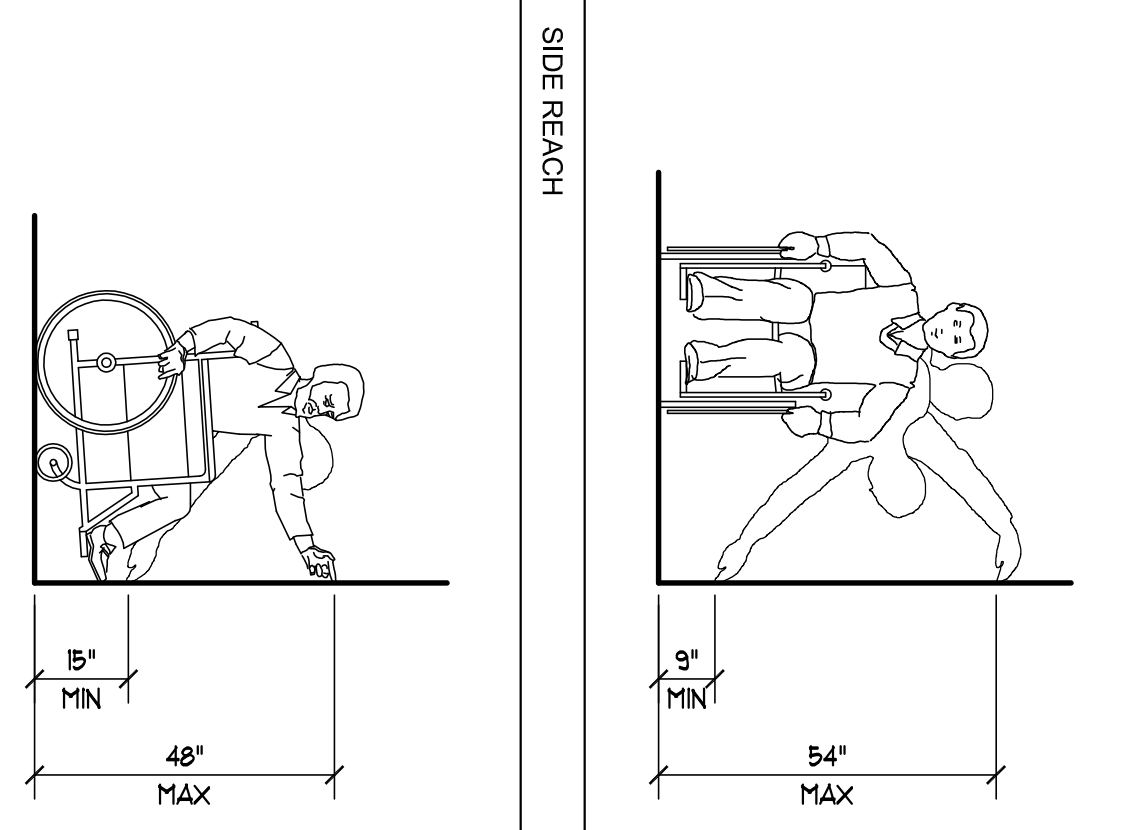
SIGNAGE



CHANGE IN LEVEL



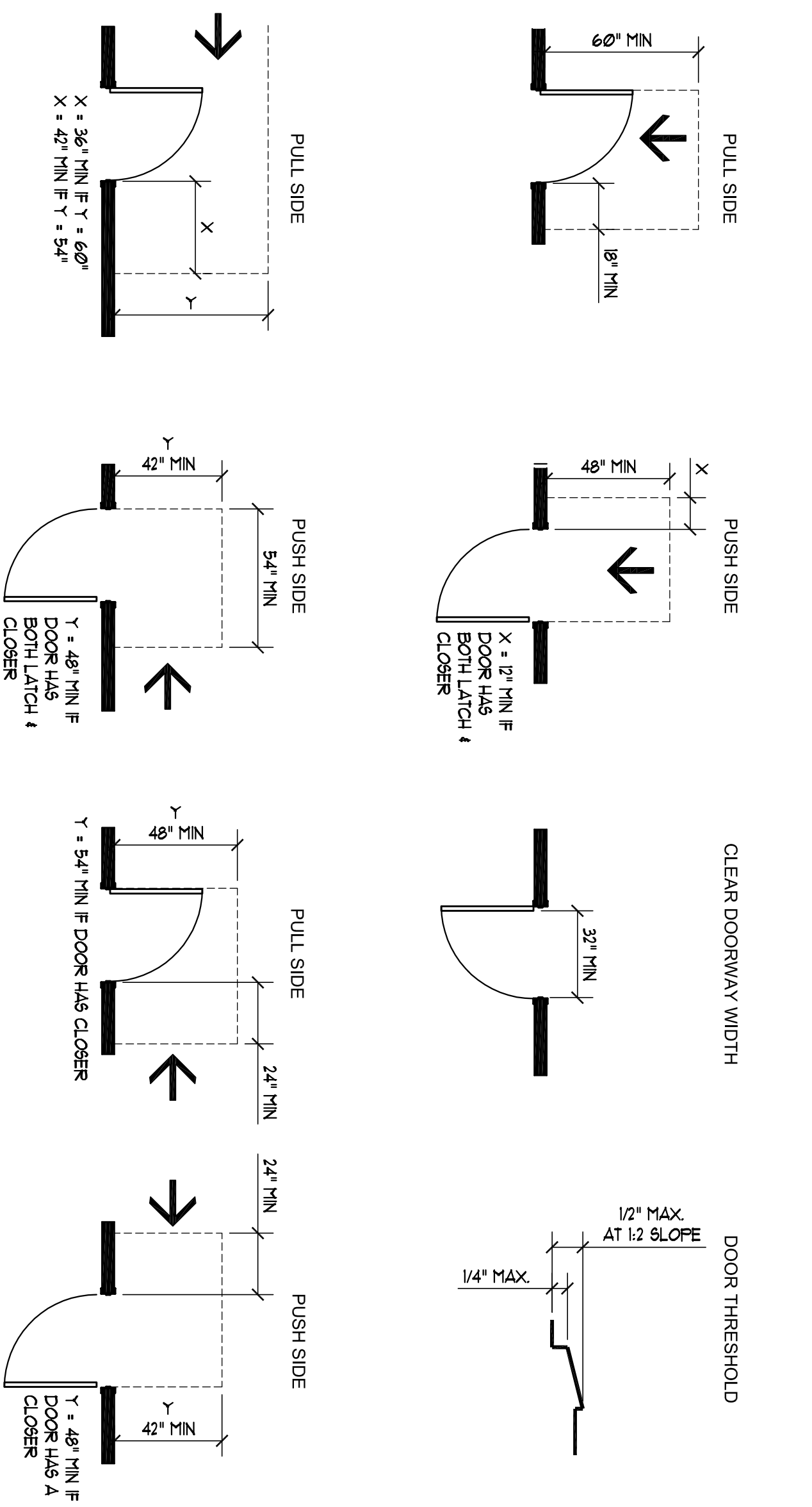
REACH RANGES



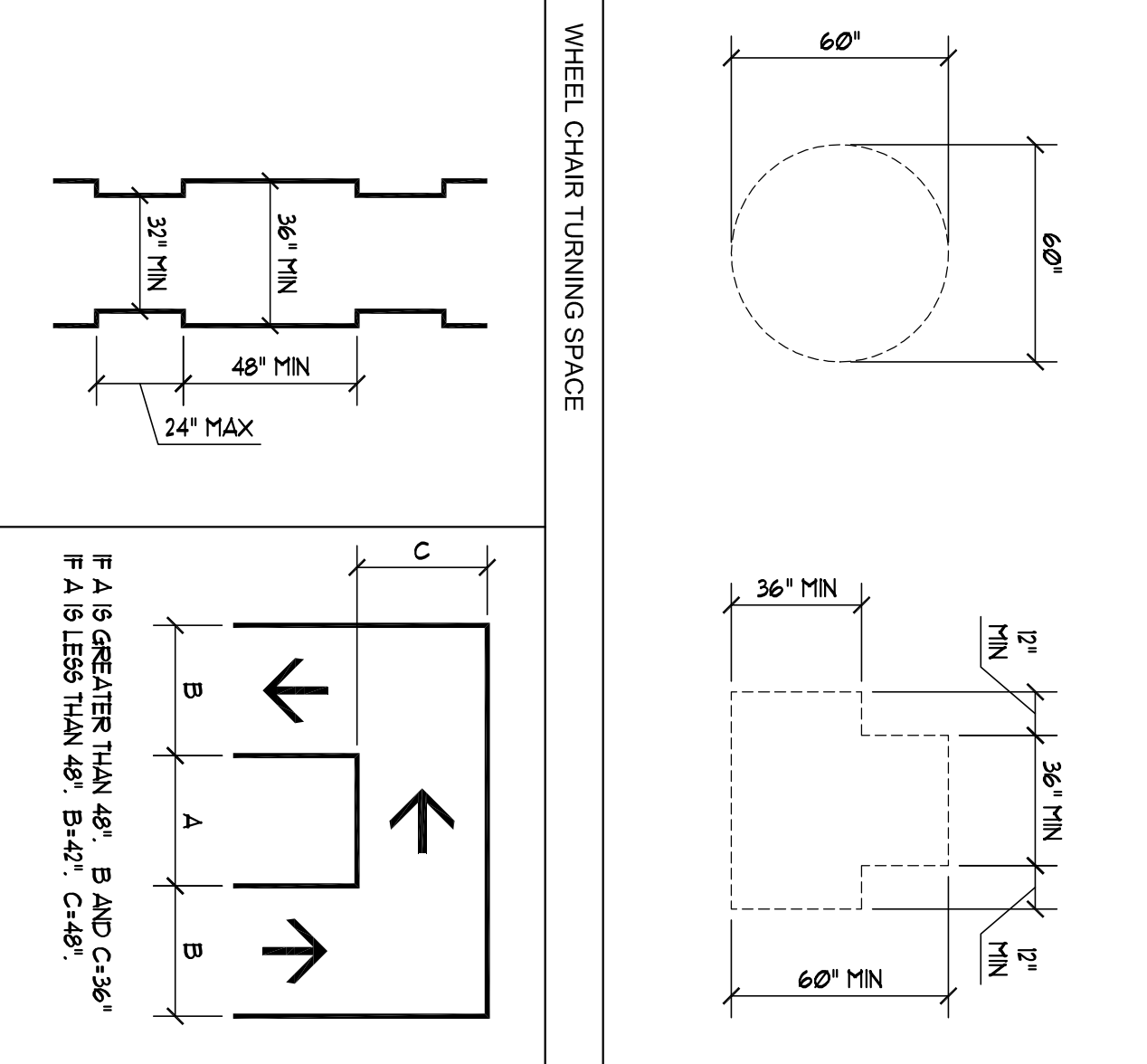
GENERAL ACCESSIBILITY NOTES

- IT IS NOT PRACTICAL TO ILLUSTRATE ALL ACCESSIBILITY REQUIREMENTS HERE. THESE DIAGRAMS AND NOTATIONS ARE PROVIDED TO OFFER A GUIDE IN THE PERFORMANCE OF THE CONSTRUCTION WORK. THE CONTRACTOR AND ALL SUBCONTRACTORS ARE RESPONSIBLE FOR BEING FAMILIAR WITH ACCESSIBILITY REQUIREMENTS TO PERFORM THEIR WORK IN COMPLIANCE. ALL QUESTIONS AND/OR COMMENTS PERTAINING TO INFORMATION CONTAINED OR NOT CONTAINED IN THE CONSTRUCTION DRAWINGS ARE TO BE BROUGHT TO THE ATTENTION OF THE ARCHITECT FOR RESPONSE.
- AN ACCESSIBLE ROUTE SHALL CONNECT ALL ACCESSIBLE SPACES AND ELEMENTS INCLUDING TELEPHONES, WITHIN THE UNITS.
- ALL CONTROL & DISPENSERS, RECEPTILES AND OTHER OPERABLE EQUIPMENT IN ACCESSIBLE ROOMS SHALL BE ACCESSIBLE. THIS INCLUDES CLEAR FLOOR OR GROUND SPACE 1' FORWARD 1' SIDE REACH. RELOCATE AS REQUIRED TO BRING INTO COMPLIANCE.
- DOORS AND DOORWAYS DESIGNED TO ALLOW PASSAGE INTO AND WITHIN ALL ACCESSIBLE UNITS SHALL BE ACCESSIBLE.
- ALL ROOMS DESIGNATED TO HAVE HEARING IMPAIRED REQUIREMENTS SHALL HAVE VISUAL ALARMS, NOTIFICATION DEVICES AND TELEPHONES FOR PERSONS WITH HEARING IMPAIRMENTS THAT MEET ALL OF SECTION 53 OF THE FEDERAL ADA STANDARDS.
- ADDITIONALLY 5 TTY KITS ARE BEING PROVIDED TO THE HOTEL FOR USE IN ANY ROOM (STANDARD OR ACCESSIBLE).
- ALL CONTROLS AND OPERATING MECHANISMS SHALL BE OPERABLE WITH ONE HAND AND NOT REQUIRE TIGHT GRASPING, FINCHING OR TWISTING OF THE WRIST. MAXIMUM FORCE REQUIRED TO ACTIVATE CONTROLS IS 5 LBS.
- DESIGNATED CLEAR FLOOR AREA TO BE CLEAR OF OBJECTS FROM FLOOR TO 21" AFF. AND HAVE NO SLOPE GREATER THAN 2% IN ANY DIRECTION.

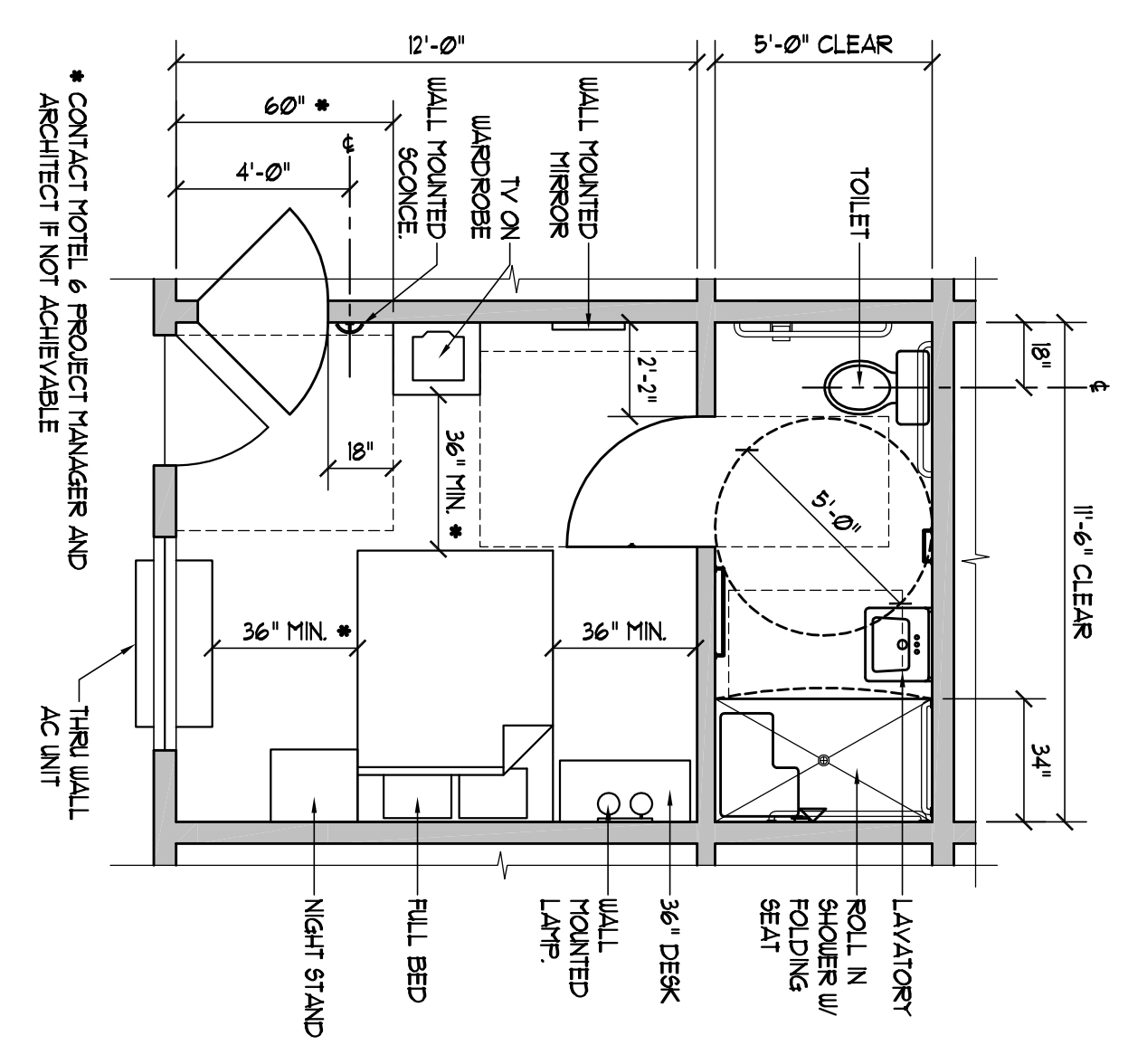
ACCESSIBLE DOORS



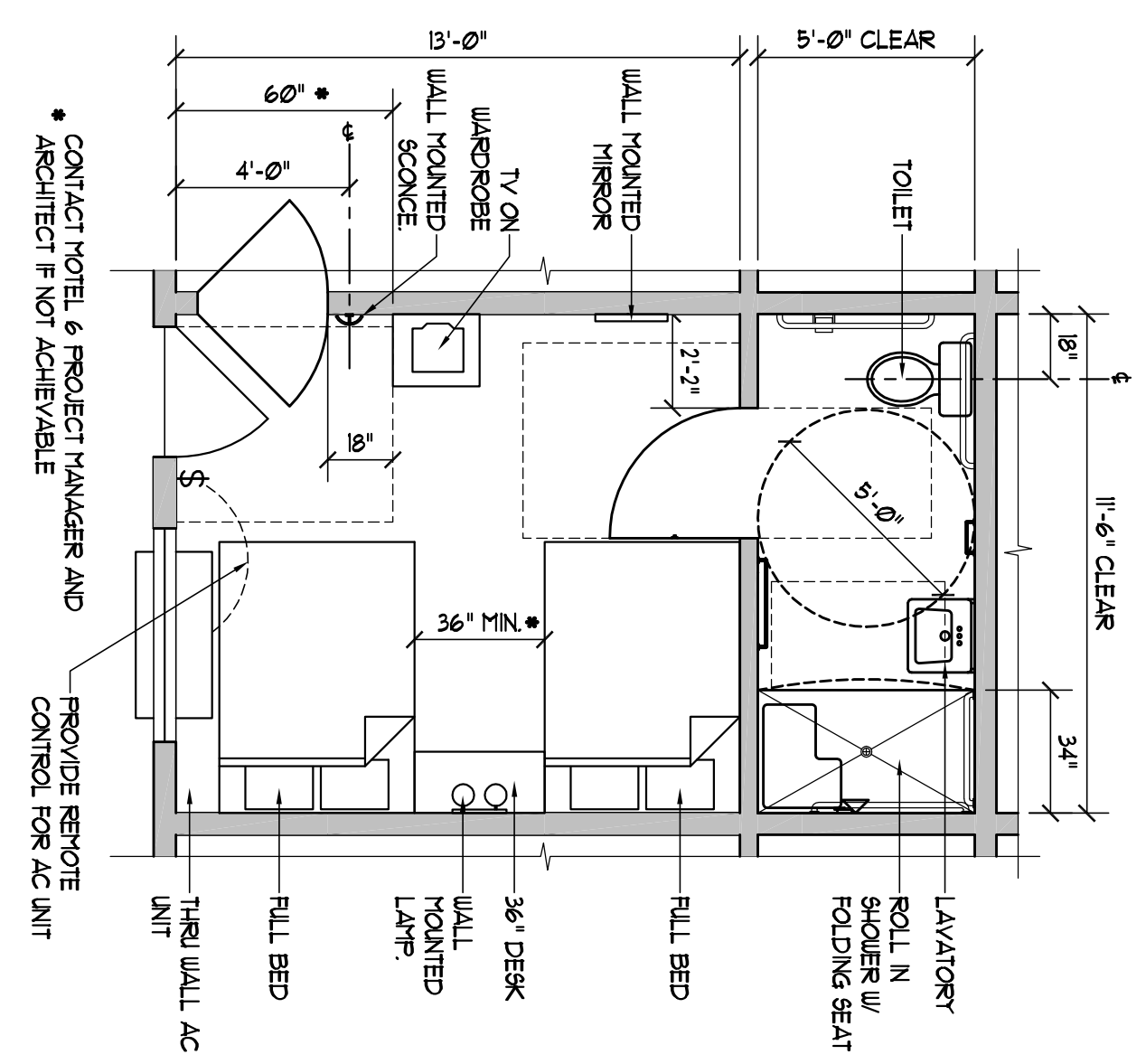
CLEAR FLOOR SPACE



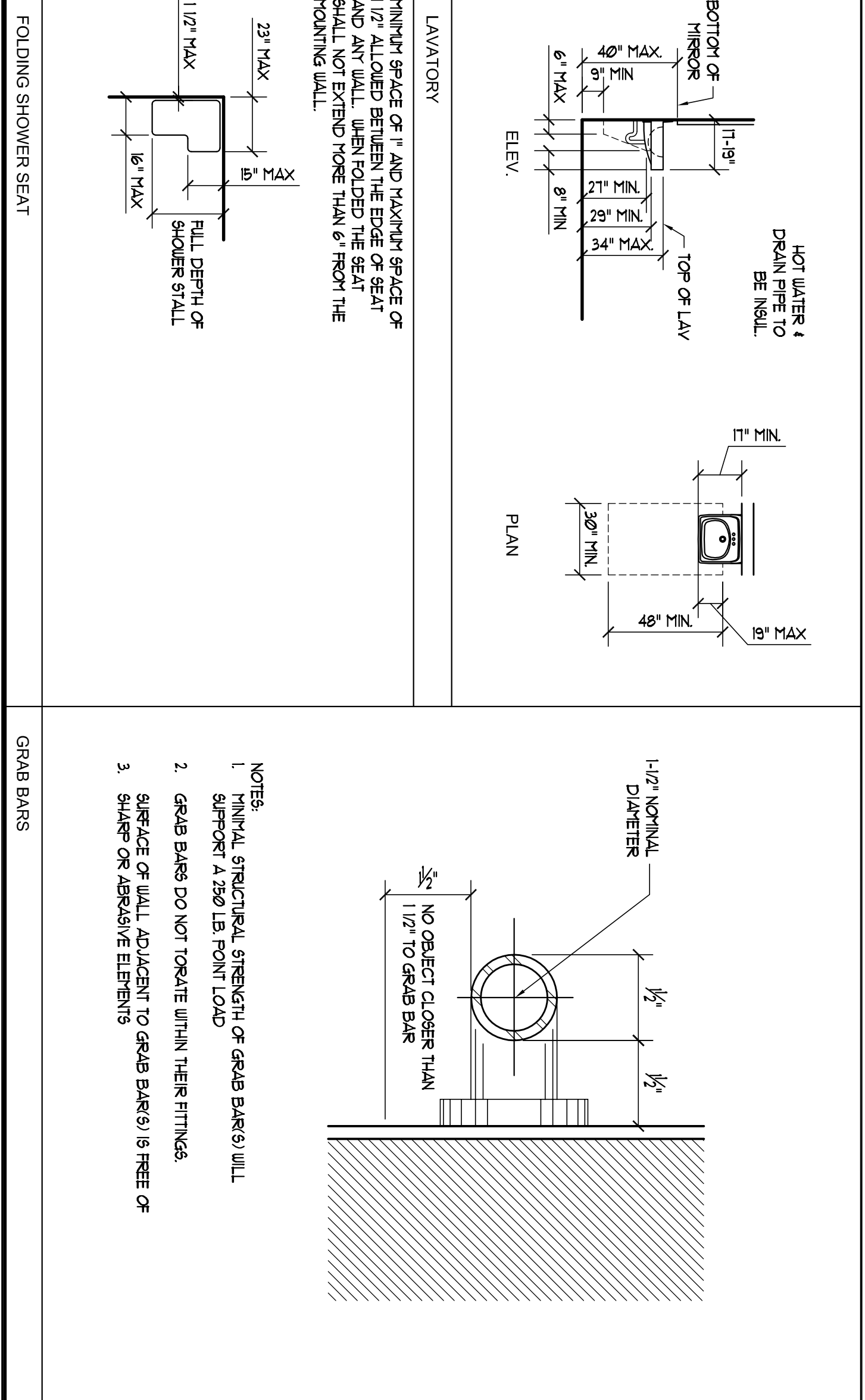
MINIMUM ROOM SIZE



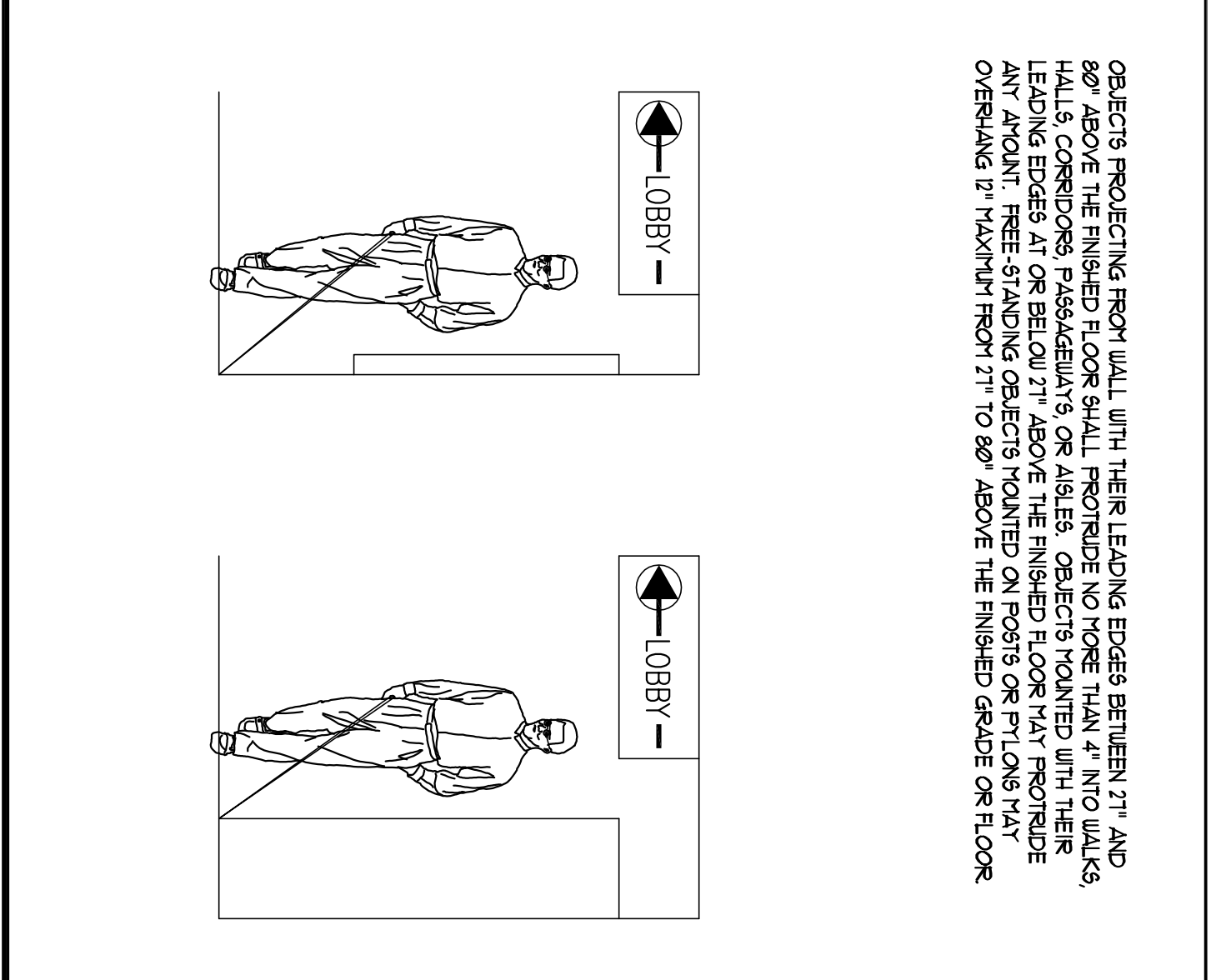
PLUMBING FIXTURES AND ACCESSORIES



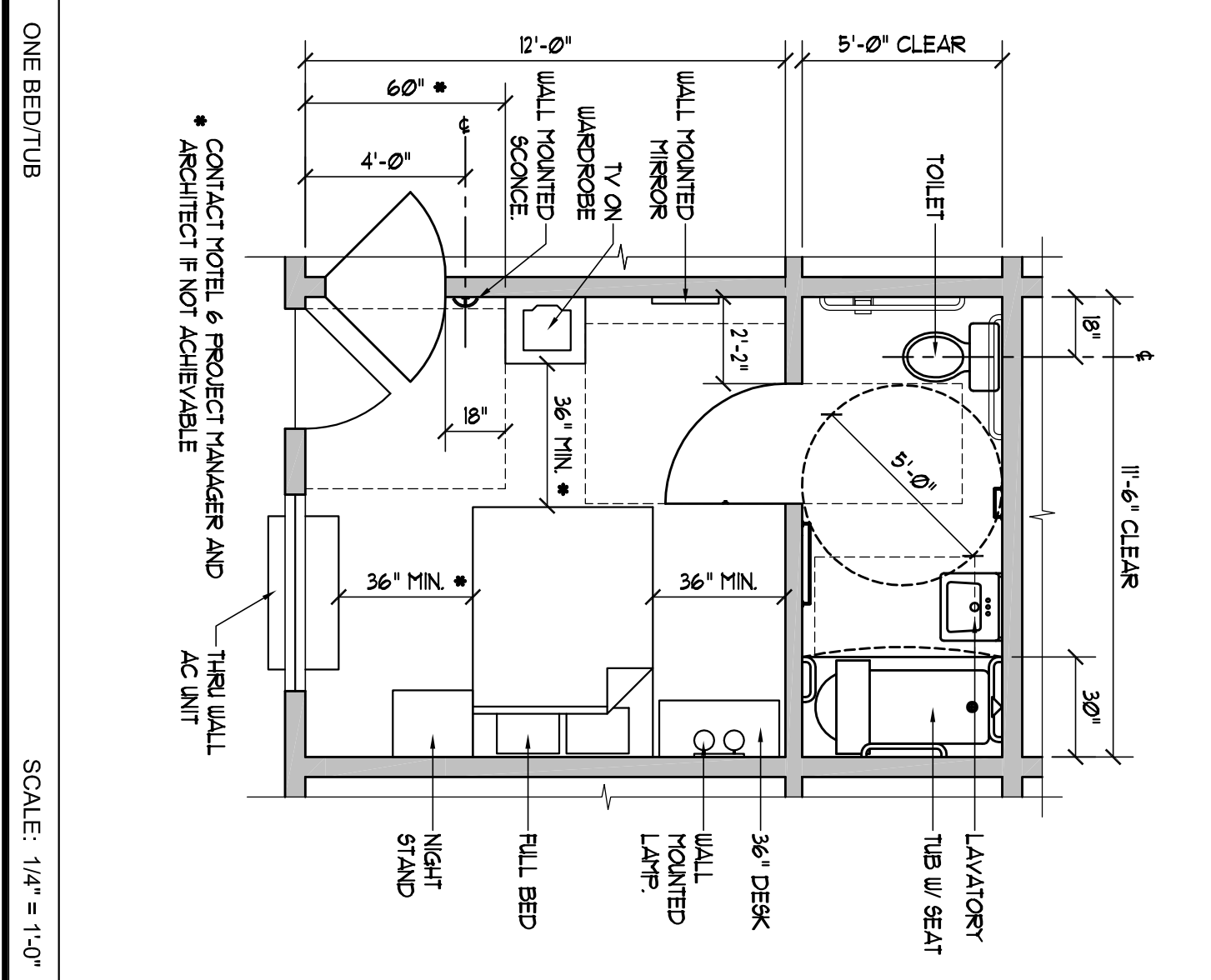
PROTRUDING OBJECTS



REACH RANGES



MINIMUM ROOM SIZE



PLUMBING FIXTURES AND ACCESSORIES

