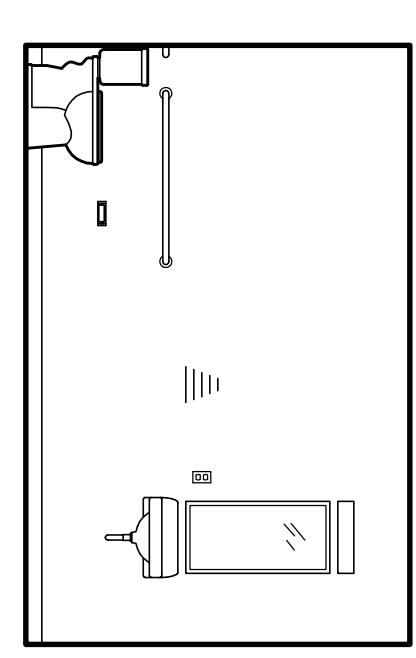


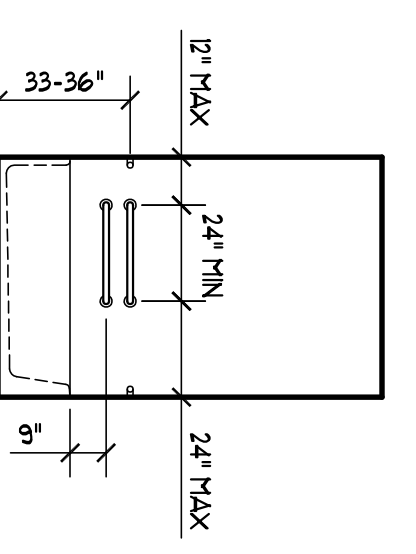
1. NOT ALL ELEVATIONS ARE USED ON THIS PROJECT. SEE SHEET ALL FOR REFERENCES.
2. STANDARD ELEVATIONS SHOWN. SEE ALL FOR ALL HORIZONTAL DIMENSIONS.
3. SEE SCHEDULE FOR ELECTRICAL/LIGHTING LEGEND.

SEE 6A.1 & 6C ON SHEET A21 FOR NOTES NOT SHOWN



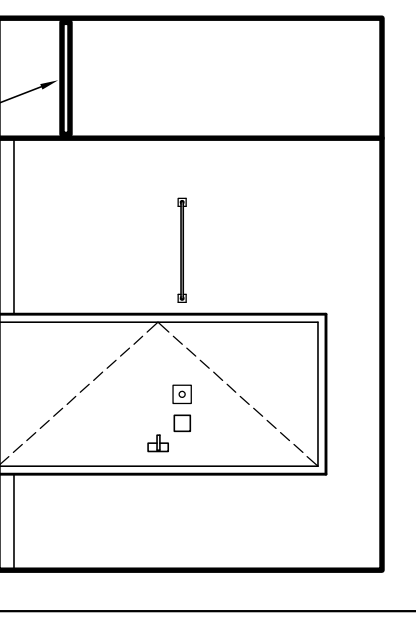
NOT SHOWN DRAIN PIPE SEE NOTES

SEE 6A.1 & 6C ON SHEET A21 FOR NOTES NOT SHOWN



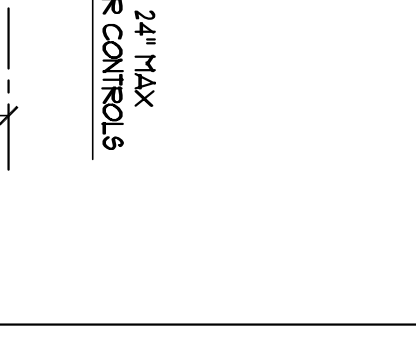
SCALE 1/4"=1'-0"

SEE 6A.1 & 6C ON SHEET A21 FOR NOTES NOT SHOWN



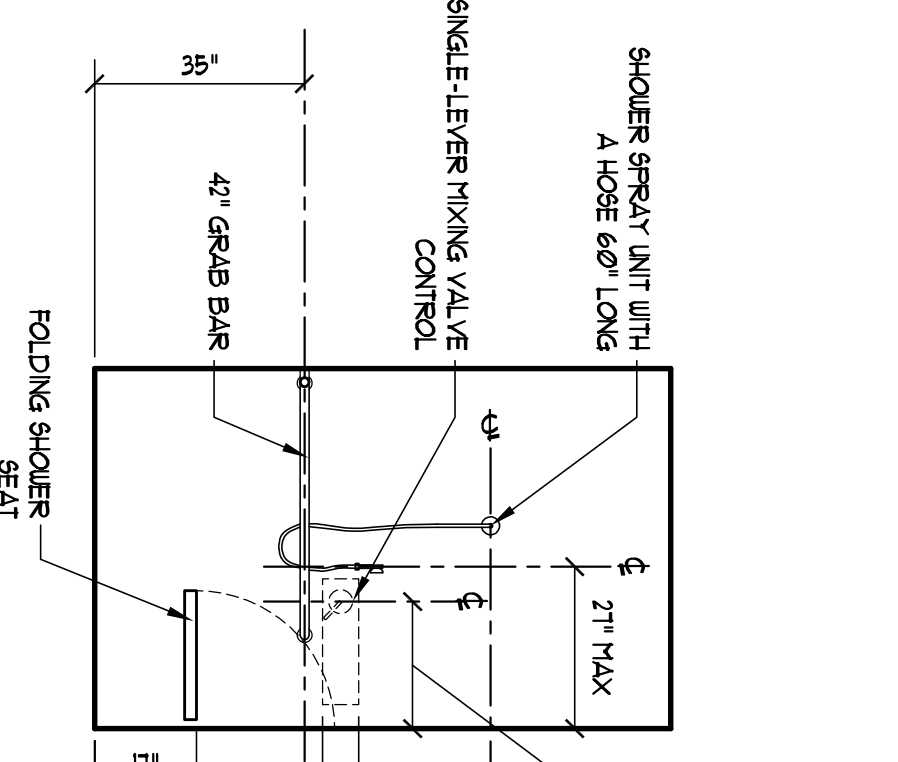
SCALE 1/4"=1'-0"

SEE 6A.1 & 6C ON SHEET A21 FOR NOTES NOT SHOWN



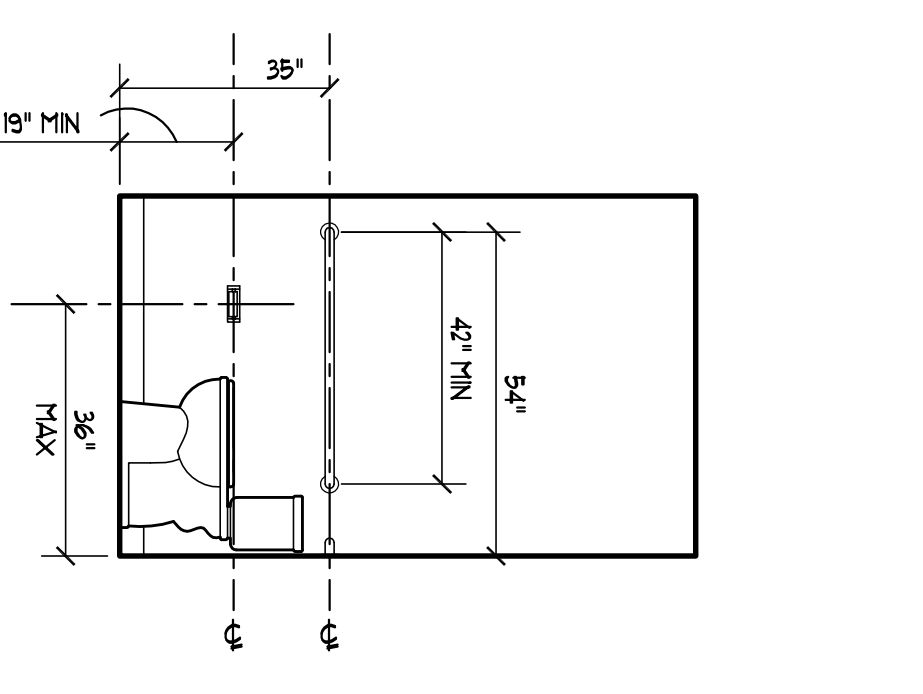
SCALE 3/8"=1'-0"

SEE 6A.1 & 6C ON SHEET A21 FOR NOTES NOT SHOWN



SCALE 3/8"=1'-0"

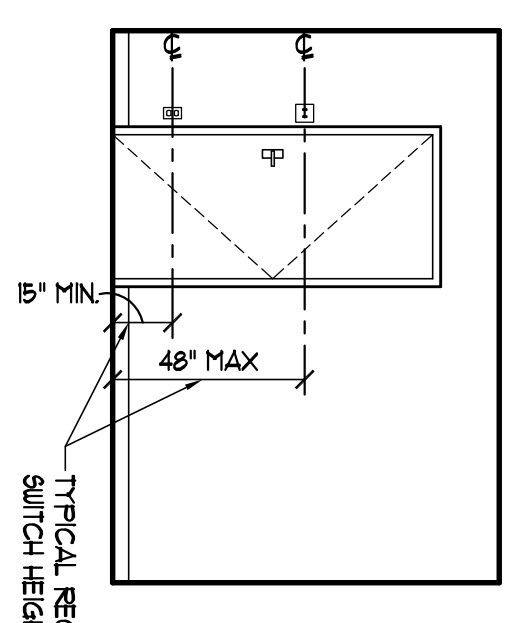
SEE 6A.1 & 6C ON SHEET A21 FOR NOTES NOT SHOWN



SCALE 3/8"=1'-0"

15 GENERAL ELEVATION NOTES
 SCALE NONE

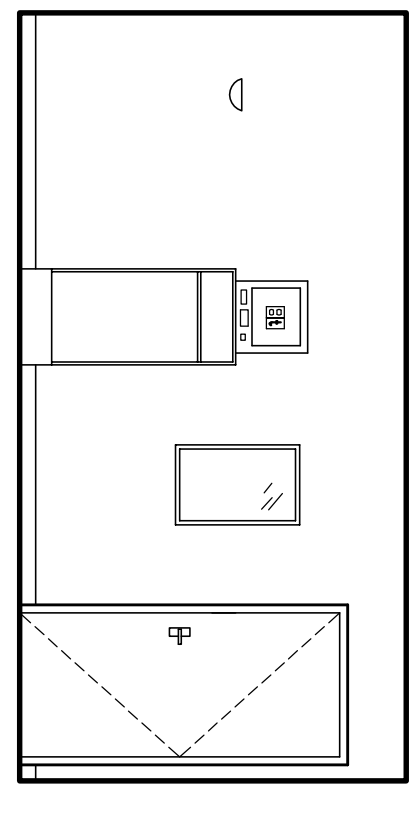
SEE 1A.1 & 1 FOR NOTES NOT SHOWN



TYPICAL RECEPTACLE AND SWITCH HEIGHTS UNO.

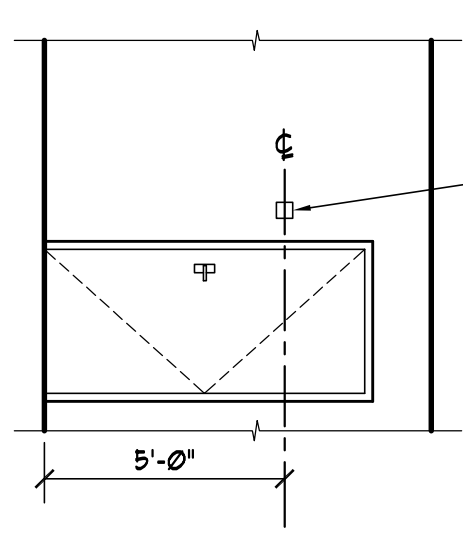
14 XXXX
 SCALE XXXX

SEE B.1 ON A21 FOR NOTES NOT SHOWN



10 SLEEPING AREA ELEVATIONS
 SCALE 1/4"=1'-0"

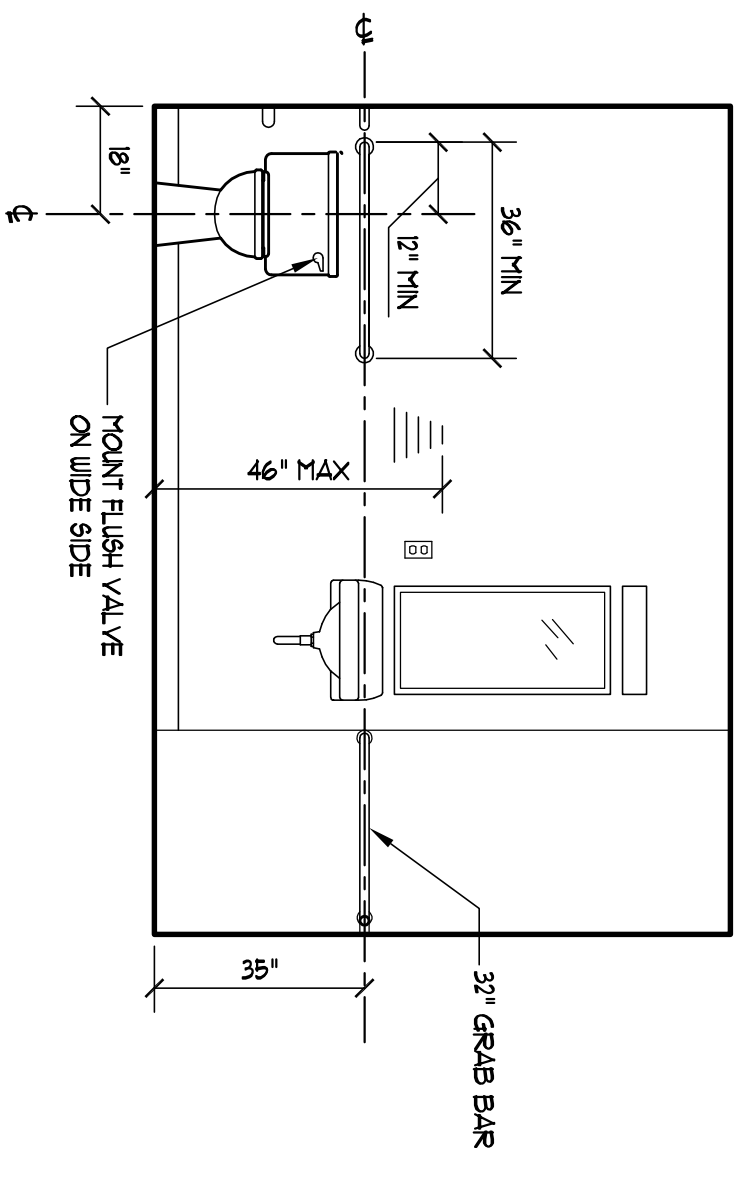
ROOM NUMBER SIGN



SCALE 1/4"=1'-0"

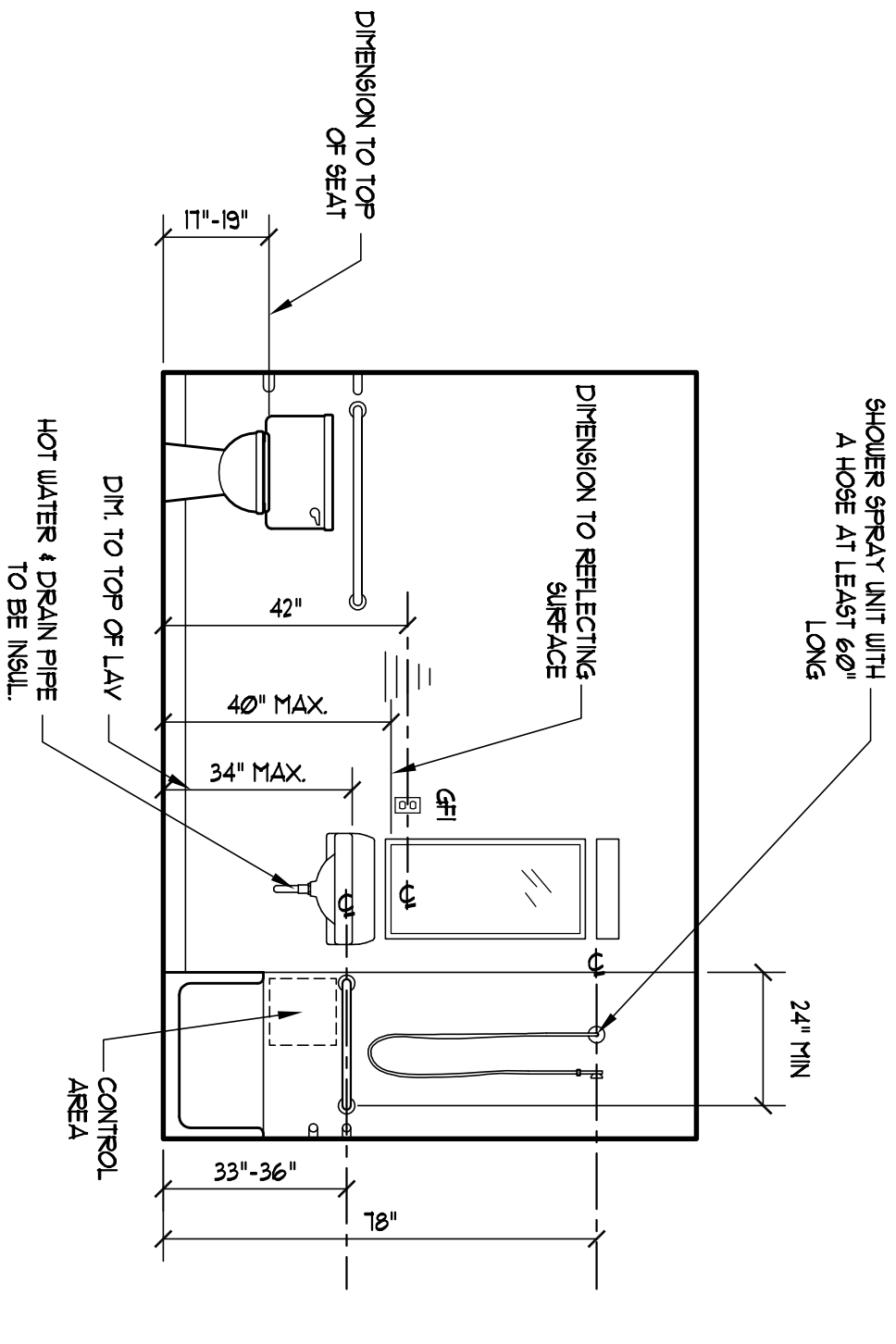
9 SLEEPING AREA ELEVATIONS
 SCALE 1/4"=1'-0"

SEE 1A.1 & 1 FOR NOTES NOT SHOWN



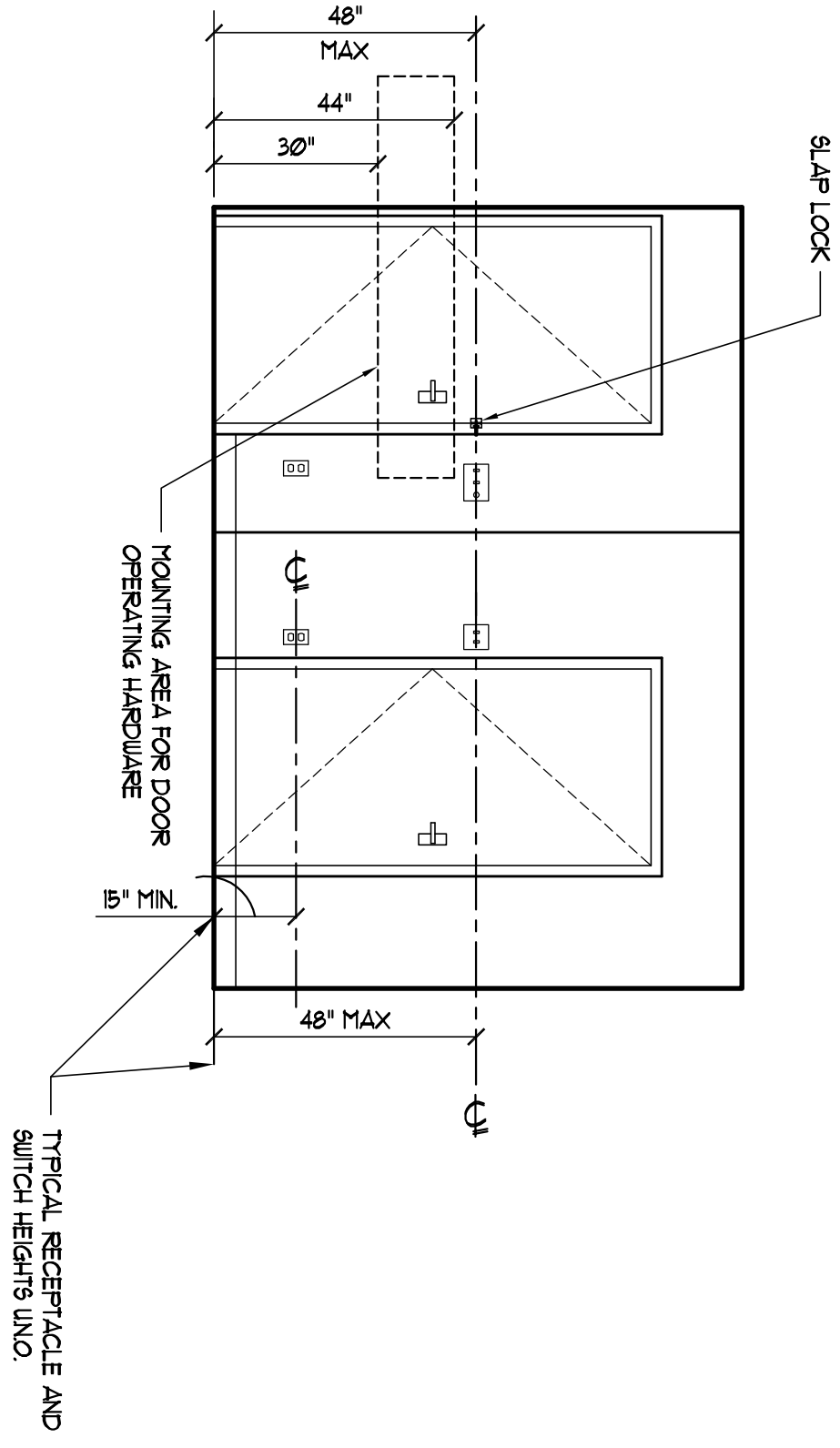
SCALE 3/8"=1'-0"

6 RESTROOM ELEVATIONS
 SCALE AS NOTED



SCALE 3/8"=1'-0"

1 SLEEPING AREA ELEVATIONS
 SCALE AS NOTED



SCALE 3/8"=1'-0"

1 SCALE AS NOTED