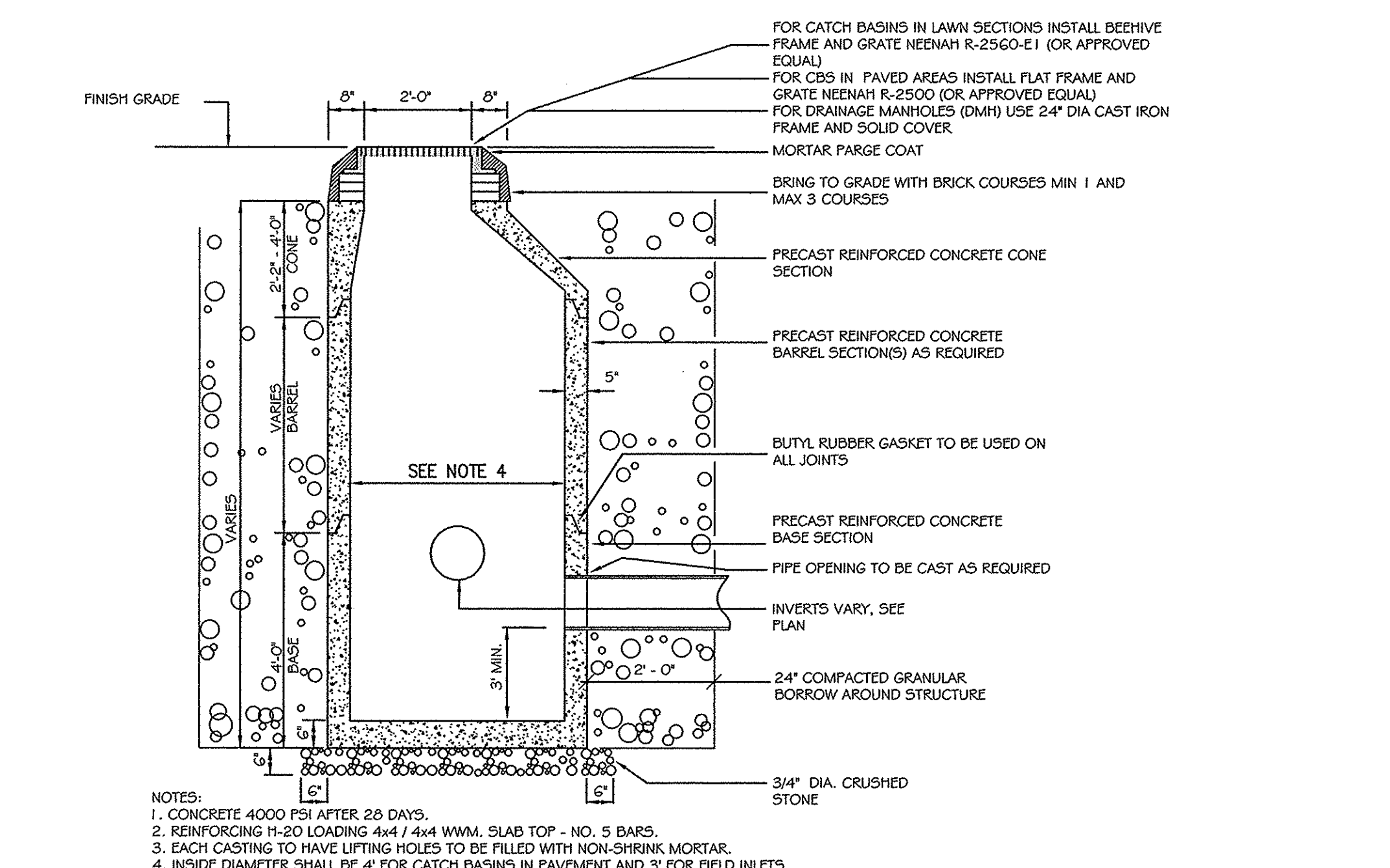
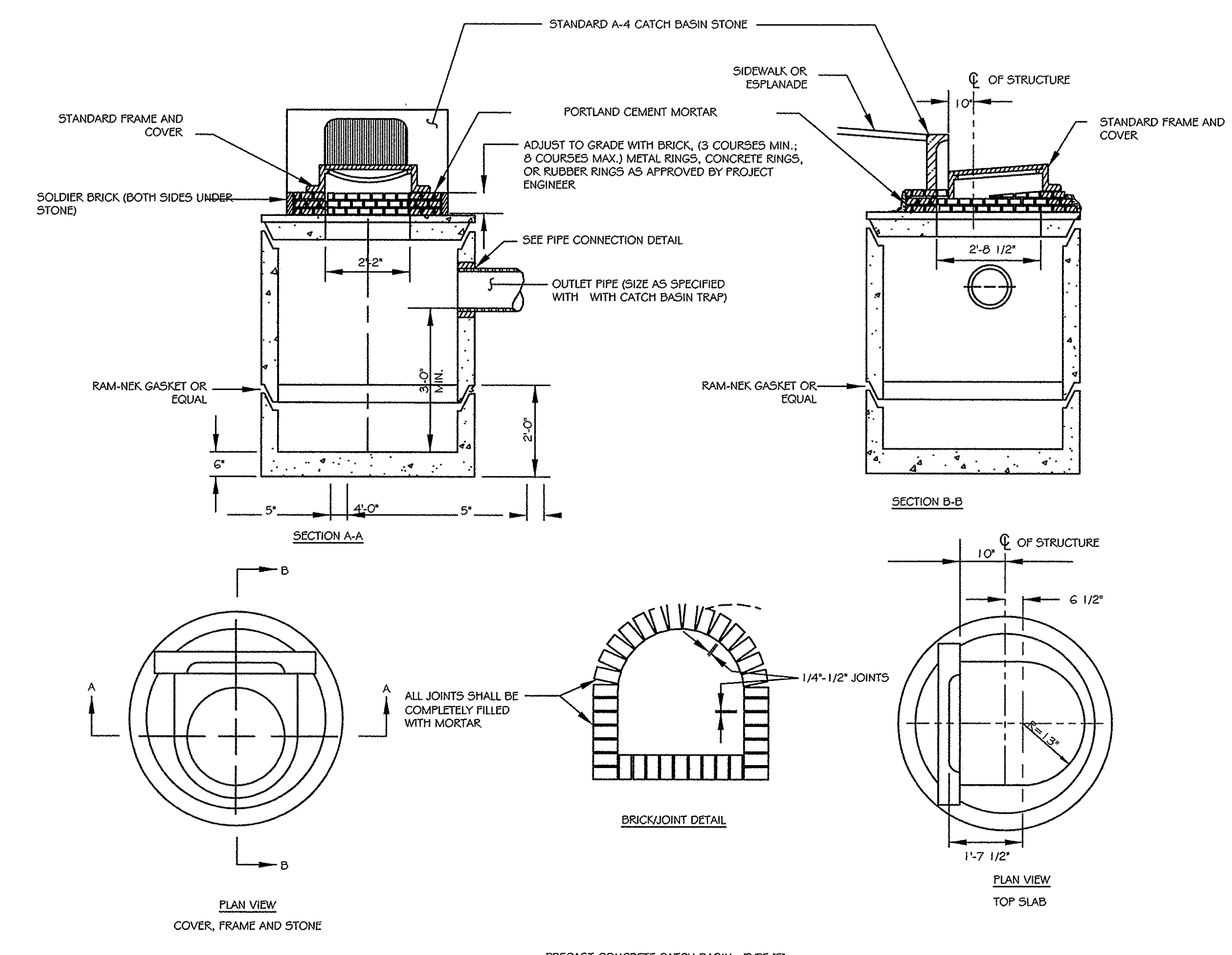


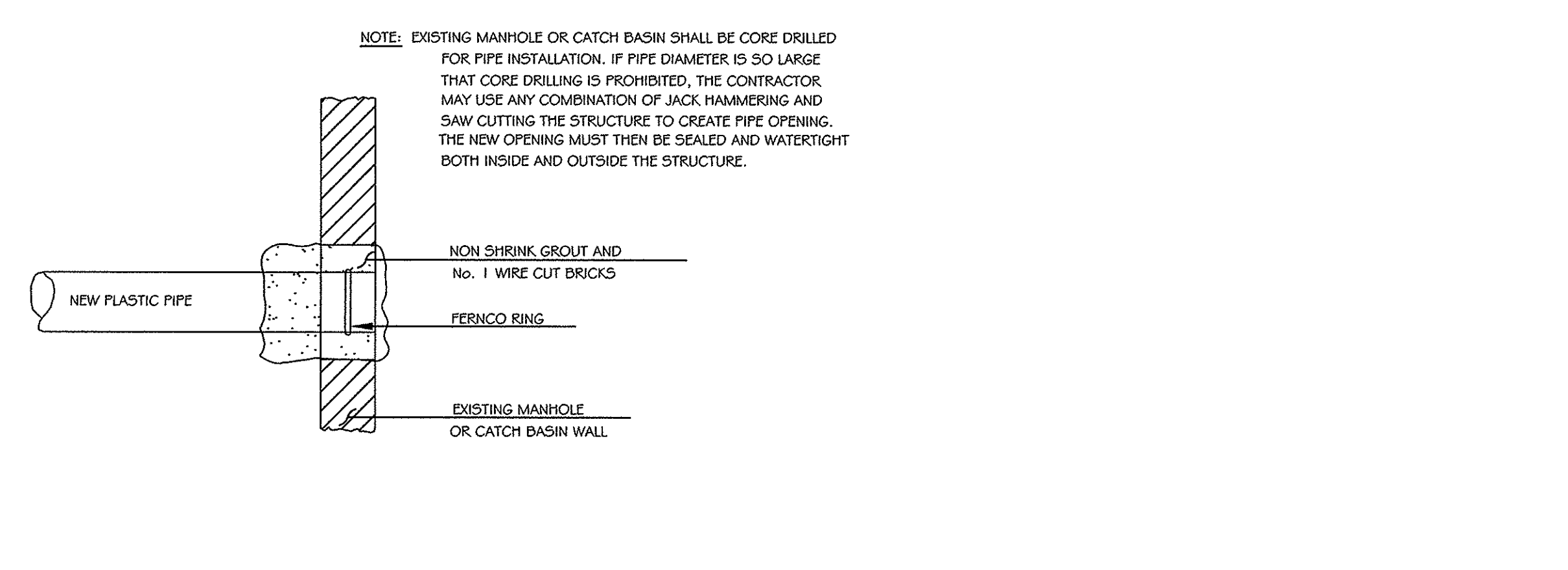
1 TYPICAL SANITARY MANHOLE
NOT TO SCALE



4 PRECAST CONCRETE CATCH BASIN / DRAINAGE MANHOLE (ONSITE)
NOT TO SCALE



2 TYPICAL CATCH BASIN AT CURB IN BRIGHTON AVE R.O.W.
NOT TO SCALE

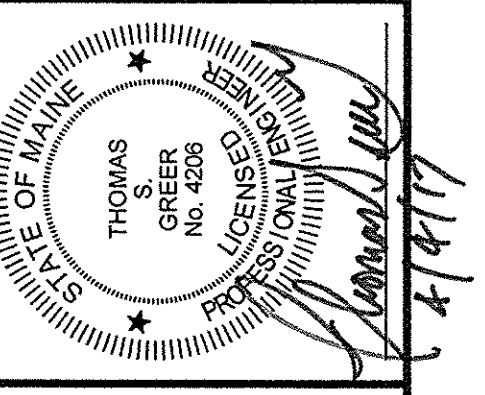


5 TYPICAL PIPE CONNECTION TO EXISTING STRUCTURE DETAIL
NOT TO SCALE

1. ALL CONCRETE SHALL BE CLASS "A" AND HAVE A MINIMUM ULTIMATE COMPRESSIVE STRENGTH OF 4000 lbs. PER SQ. INCH AT THE END OF 28 DAYS, UNLESS OTHERWISE NOTED.
2. PRECAST REINFORCED CONE BARREL MANUFACTURED PER ASTM SPEC. C-478-67
3. SEWER BRICK SHALL CONFORM TO ASTM SPEC. DESIGNATE ON C-32-63, GRADE MA AND SA.
4. ALL MANHOLES SHALL HAVE A BITUMINOUS WATERPROOFING APPLIED TO THE EXTERIOR SURFACE. IF CONSTRUCTED OF BRICK MASONRY, SURFACE SHALL BE PLASTERED WITH A SMOOTH MORTAR FINISH 3/8" THICK. AFTER THE MORTAR HAS SET, THE SURFACE SHALL BE WATERPROOFED AS REQUIRED BY SUPPLEMENTAL SPECIFICATIONS SECTION 604.
5. CASTINGS SHALL CONFORM TO ASTM DESIGNATION A48-CLASS 35. ALL PARTS OF CASTINGS, EXCEPT FINISHED SURFACE, SHALL RECEIVE A COAT OF COAL TAR PITCH VARNISH OR ASPHALTUM PAINT WHICH SHALL BE SMOOTH AND TOUGH BUT NOT BRITTLE.
6. MANHOLES MAY BE CONSTRUCTED OF MASONRY, PRECAST REINFORCED CONCRETE, OR CAST IN PLACE.
7. ALL PRECAST MANHOLES AND CATCH BASINS SHALL BE IDENTIFIED BY STATION AND OFFSET, PAINTED ON THE SIDE OF THE STRUCTURE BY THE MANUFACTURER.
8. STORM AND SEWER MANHOLES SHALL HAVE SOLID COVERS WITH ONE DRILLED PICK HOLE.
9. EXISTING MANHOLES, CATCH BASINS, FRAMES, AND COVERS SHALL BE SALVAGED BY THE CONTRACTOR, AND SHALL REMAIN THE PROPERTY OF THE CITY OF PORTLAND.

3 GENERAL NOTES FOR MANHOLES AND CATCH BASINS
NOT TO SCALE

PINKHAM & GREER
CIVIL ENGINEERS
29 HANNA AVE. PORTLAND, ME 04103
TEL: 207.781.6442 FAX: 207.781.6449



REV.	DATE	DESCRIPTION

PORTLAND HOTELS, INC.
1200 BRIGHTON AVENUE
PORTLAND, MAINE

SCALE: AS SHOWN
DATE: APRIL 4, 2017
PROJECT: 16188

DRN BY: JDC
DESIGN BY: TSG
CHK BY: TSG

HOTEL REDEVELOPMENT
1210 BRIGHTON AVENUE
PORTLAND, MAINE

SITE DETAILS

C7.5