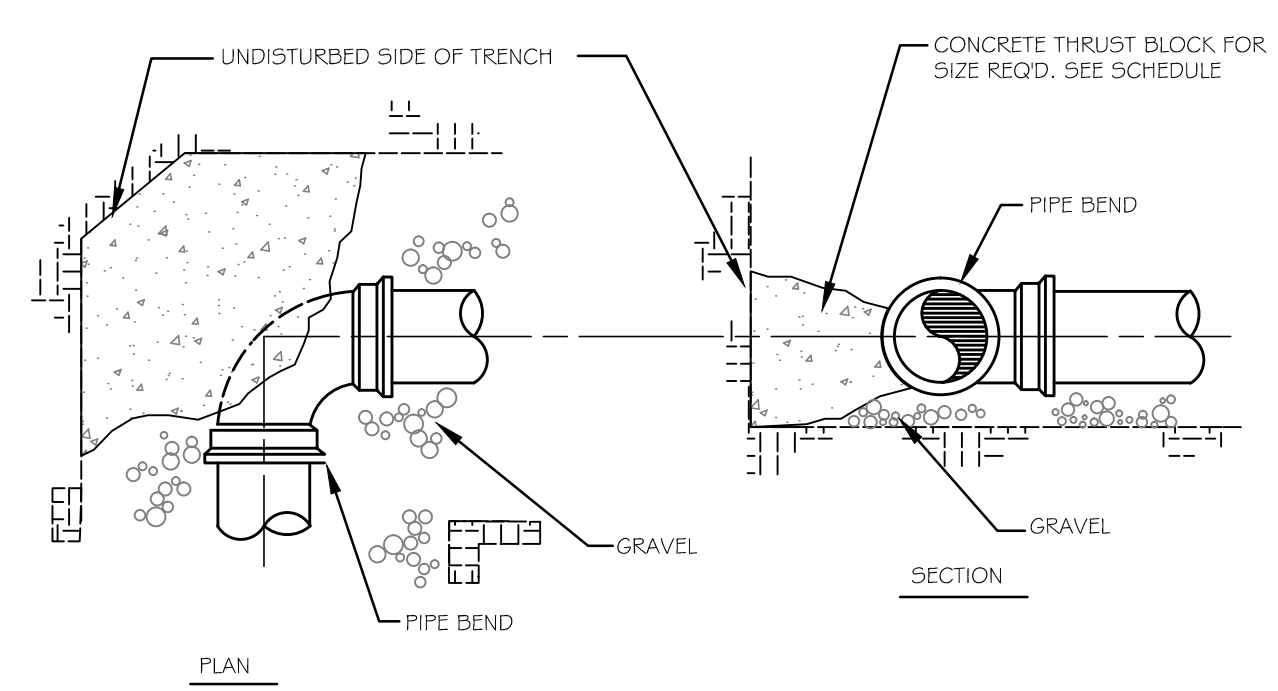


THRUST BLOCK PLACEMENT AT TEE(S)

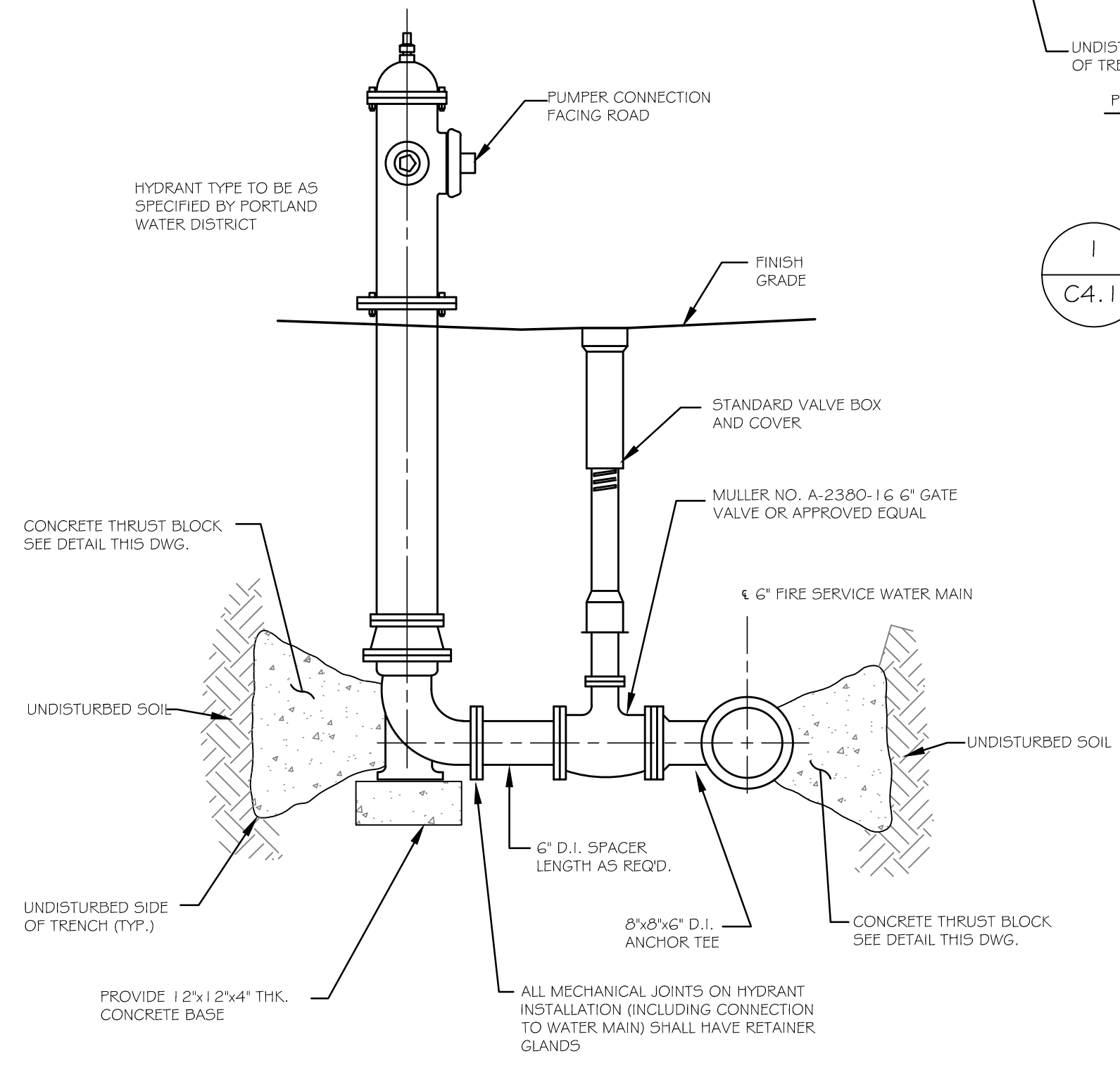


THRUST BLOCK PLACEMENT AT BEND(S)

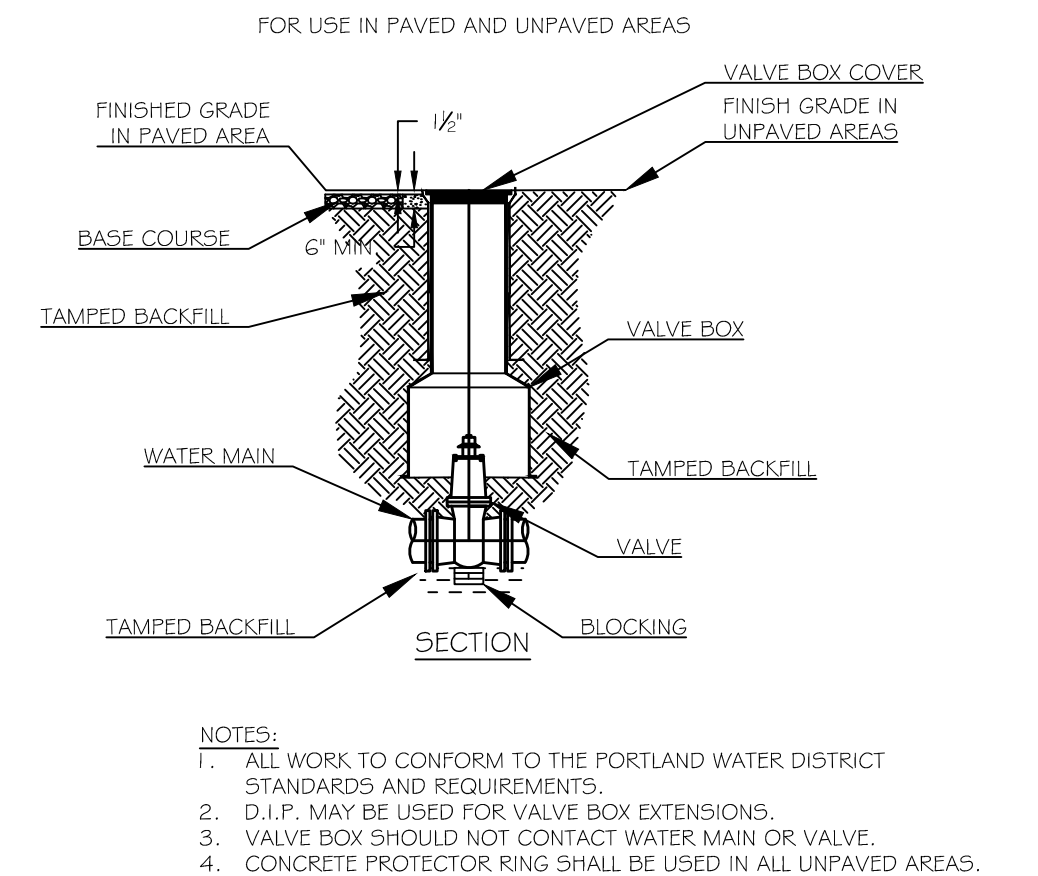
SIZE REQUIREMENTS FOR CONCRETE THRUST BLOCKS					
BEARING ON UNDISTURBED SOIL (SQUARE FT.)					
FITTINGS	90° BENDS	45° BENDS	TEES & PLUGS	HYDRANTS	
4"	2.0	1.0	1.0	N/A	
6"	3.0	2.0	2.0	6.0	
8"	5.0	3.0	4.0	N/A	

THRUST BLOCK SCHEDULE

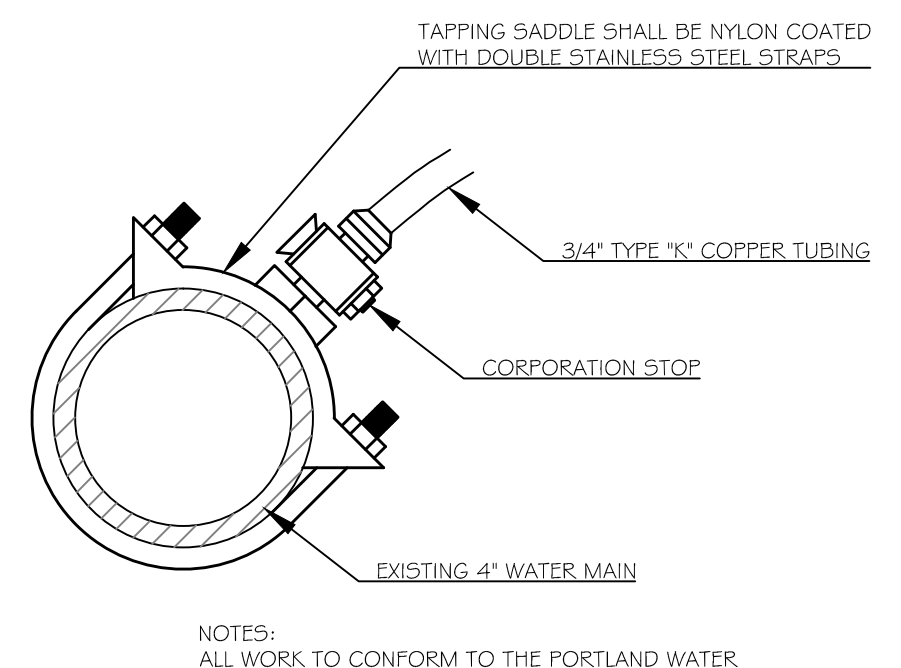
1 THRUST BLOCK DETAILS
C4.1 NOT TO SCALE



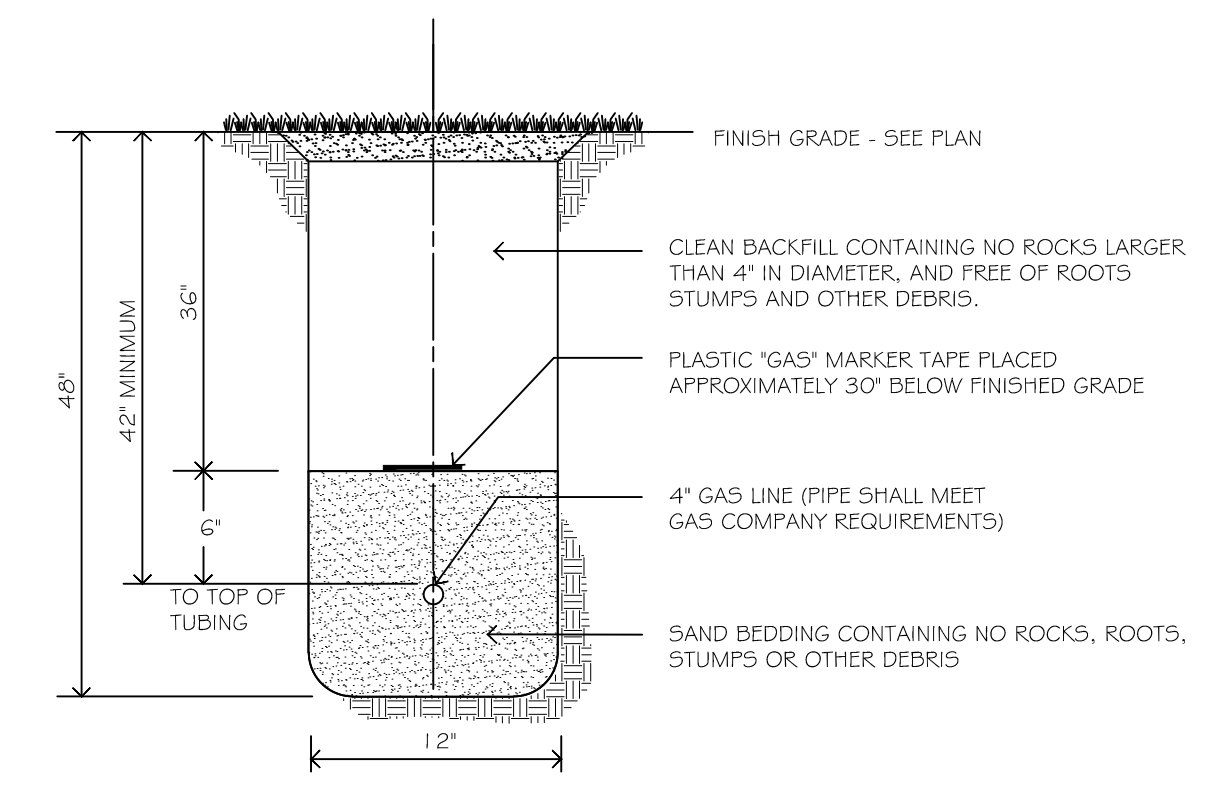
2 HYDRANT DETAIL
C4.1 NOT TO SCALE



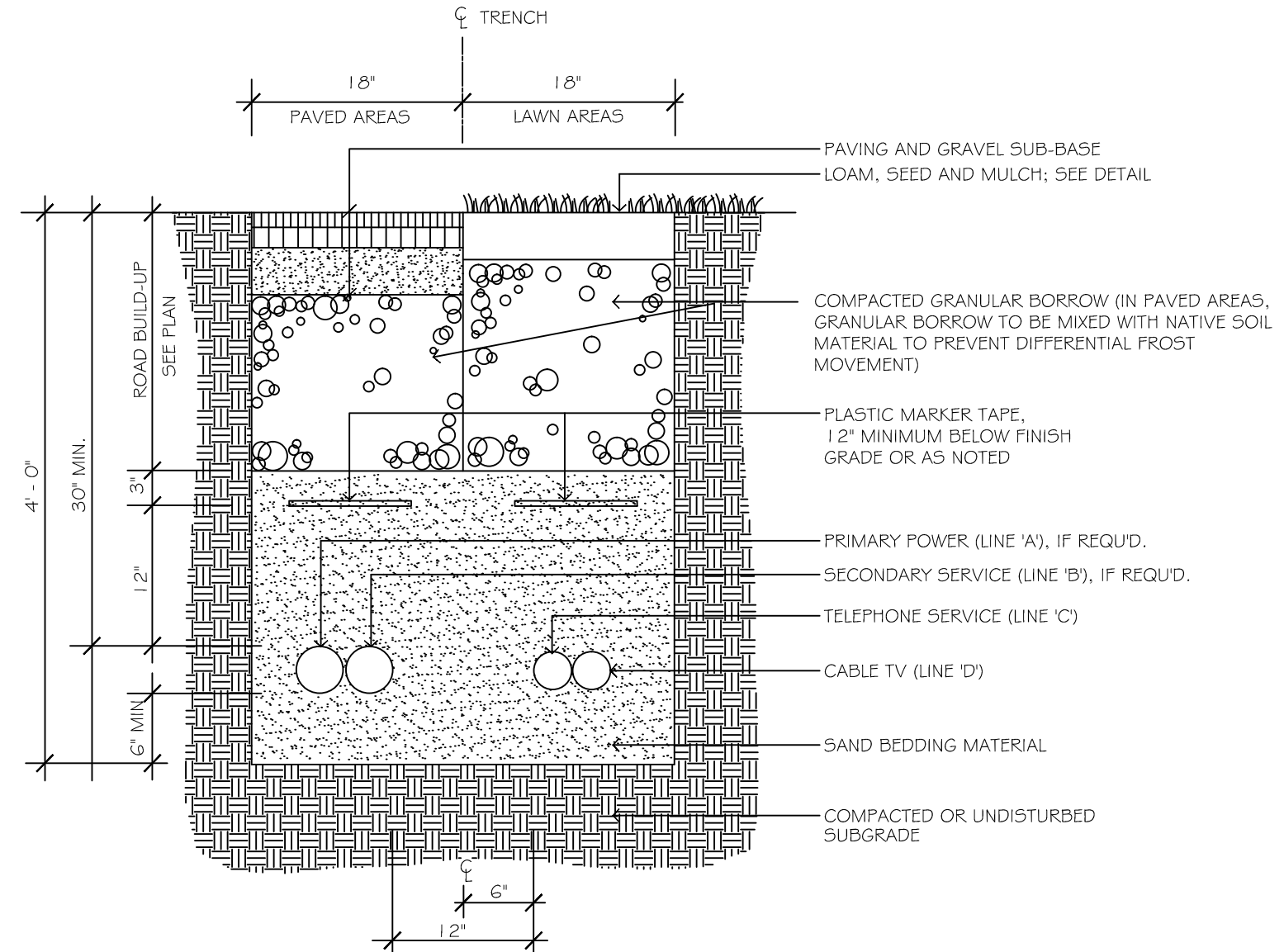
3 VALVE AND VALVE BOX INSTALLATION DETAIL
C4.1 NOT TO SCALE



4 STANDARD CORPORATION STOP DETAIL
C4.1 NOT TO SCALE



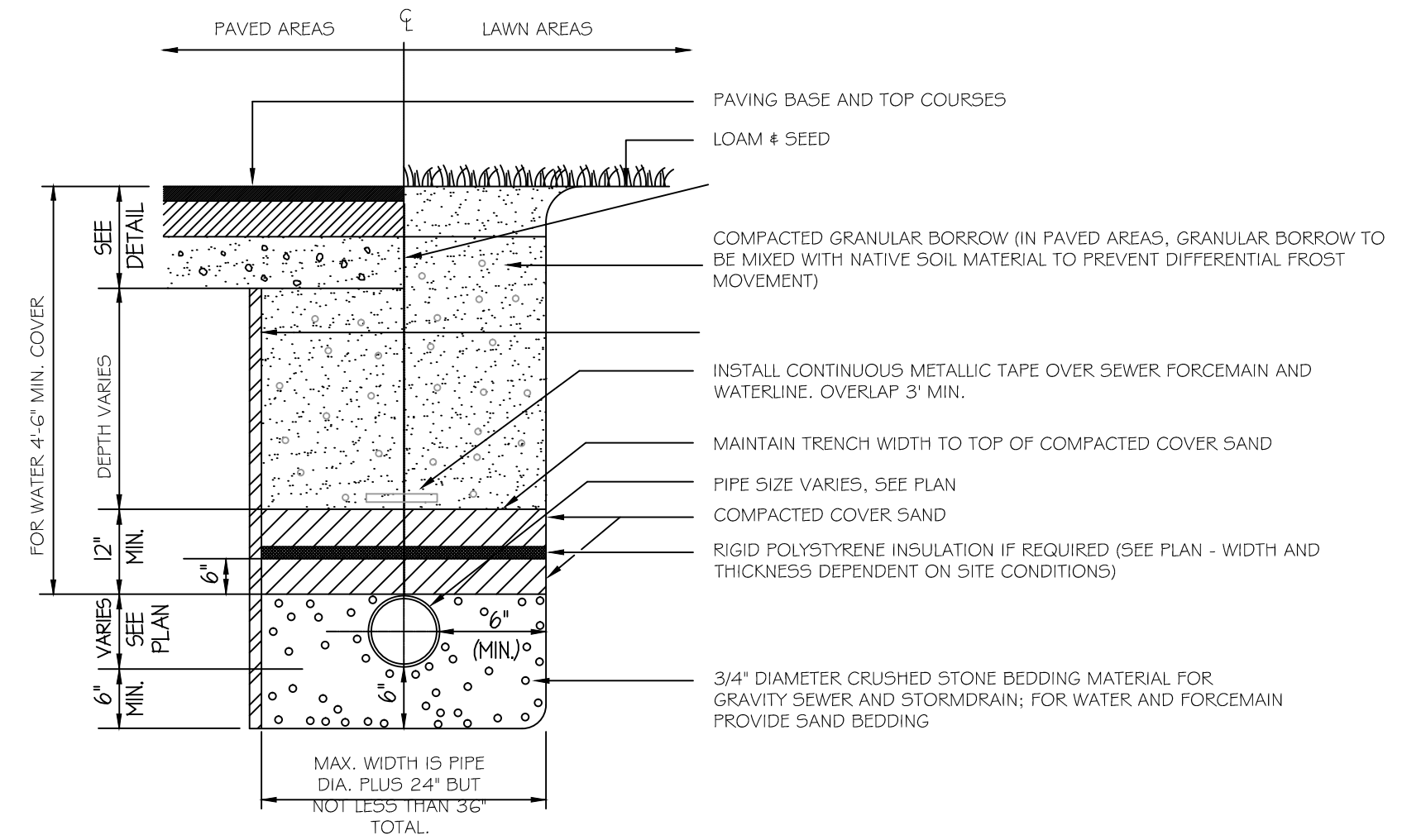
5 NATURAL GAS SERVICE TRENCH SECTION
C4.1 NOT TO SCALE



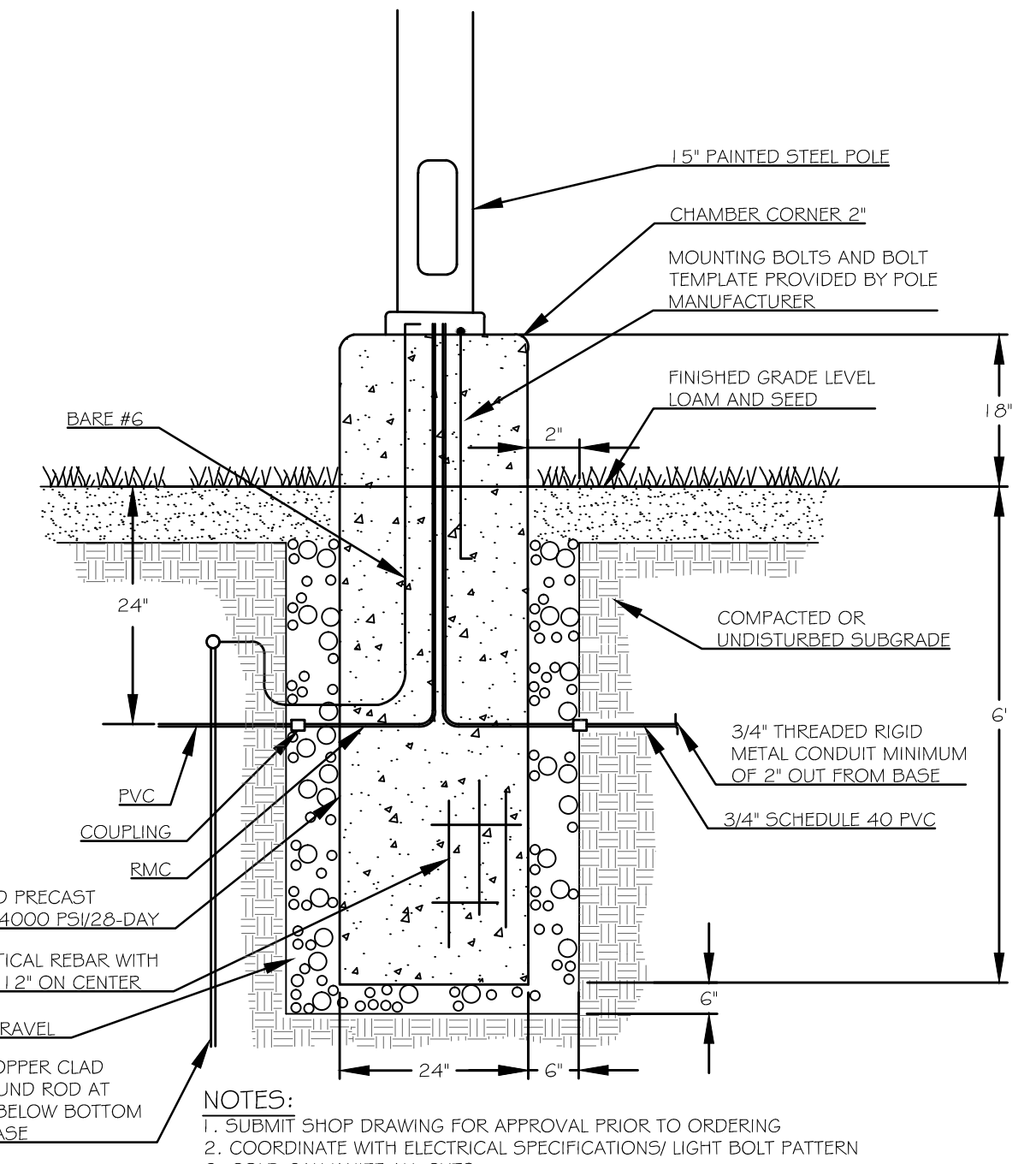
SERVICE	CONDUIT SIZE	CONDUIT TYPE	UTILITY
A	4"	SCHEDULE 40 P.V.C. ELECTRICAL GRADE	PRIMARY POWER
B	4"	SCHEDULE 40 P.V.C. ELECTRICAL GRADE	SECONDARY POWER
C	3"	SCHEDULE 40 P.V.C. ELECTRICAL GRADE	TELEPHONE
D	3"	SCHEDULE 40 P.V.C. ELECTRICAL GRADE	CATV

NOTES:
1. ALL WORK SHALL COMPLY WITH THE RESPECTIVE UTILITY COMPANY STANDARDS.
2. SEE UTILITIES PLANS FOR CONDUIT LOCATIONS.
3. CONTRACTOR TO PROVIDE 1/4\"/>

6 UNDERGROUND UTILITY TRENCH SECTION (MULTIPLE CONDUITS)
C4.1 NOT TO SCALE



7 TYPICAL PIPE TRENCHING DETAIL
C4.1 NOT TO SCALE



8 CONCRETE POLE BASE DETAIL
C4.1 NOT TO SCALE

HOTEL REDEVELOPMENT

1210 Brighton Avenue
Portland, Maine
Portland Hotels, Inc.
1200 Brighton Avenue
Portland, Maine 04102

**PRELIMINARY PLAN
ISSUED FOR PERMITTING - NOT FOR CONSTRUCTION**

Rev.	Date	Description	Drawn	Check
1	11/14/14	Submitted for Prelim. Level III Site Plan Application	SWC	WRW

Sheet Title:
SITE DETAILS

Job No.:	257	Sheet No.:	
Date:	Nov. 14, 2014	Scale:	NTS
Drawn:	SWC	Checked:	WRW

C4.1