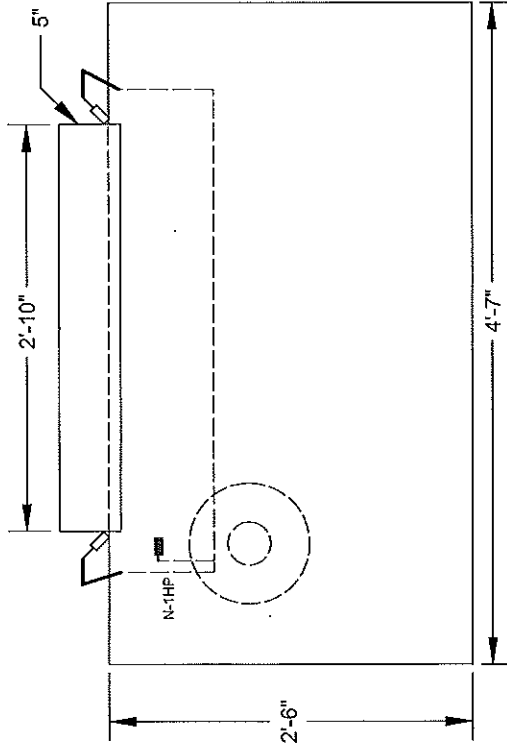
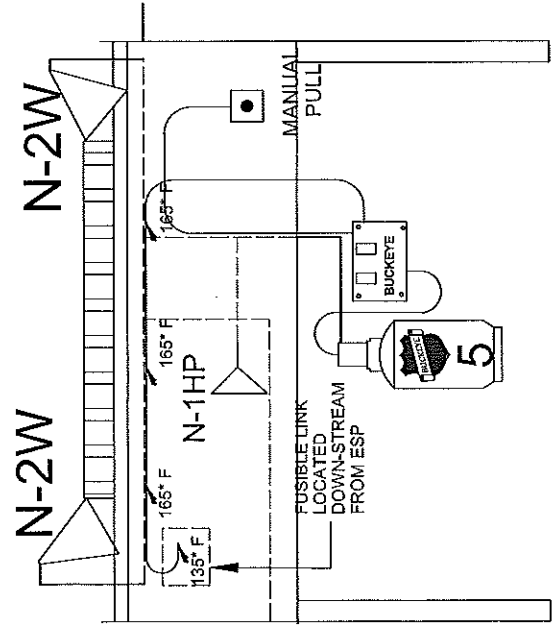


FANMA TEPPANYAKI TABLE - TYPICAL
 BUCKEYE FIRE EQUIPMENT KITCHEN MISTER
 U.L. (C) 300 / U.L. (C) 710B



PLAN VIEW



K CLASS EXTINGUISHER REQUIRED



PERMIT APPLICATION DRAWING

MAXIMUM PIPING PER CYLINDER SIZE

CYLINDER SIZE	MAX FLOW POINTS	MAX. PIPE VOLUME (mL.)	MAX. PIPE VOL. BETWEEN ANY TWO (2) NOZZLES. (mL.)
BFR-5	5	1500	1000
ALLOWABLE PIPE SIZES		VOLUME PER FOOT	
3/8 IN. (17.1MMOD) PIPE		37.5 ML/FT	
1/2 IN. (21.3MMOD) PIPE		59.8 ML/FT	



FANMA TEPPANYAKI TABLE
 Models G3TRE, G3TOE, G3TBE, G3TUE, G3TSCE,
 G3TCE, G3TLE, -XXUL-13A or 23B - followed by suffixes.
 U.L. FILE E323665

DISTRIBUTOR USE	BUCKEYE FIRE EQUIPMENT		
	DRAWN	5-03-16	0000-00D1
SCALE	1"=1'	REV I -	SHEET 1 OF 4