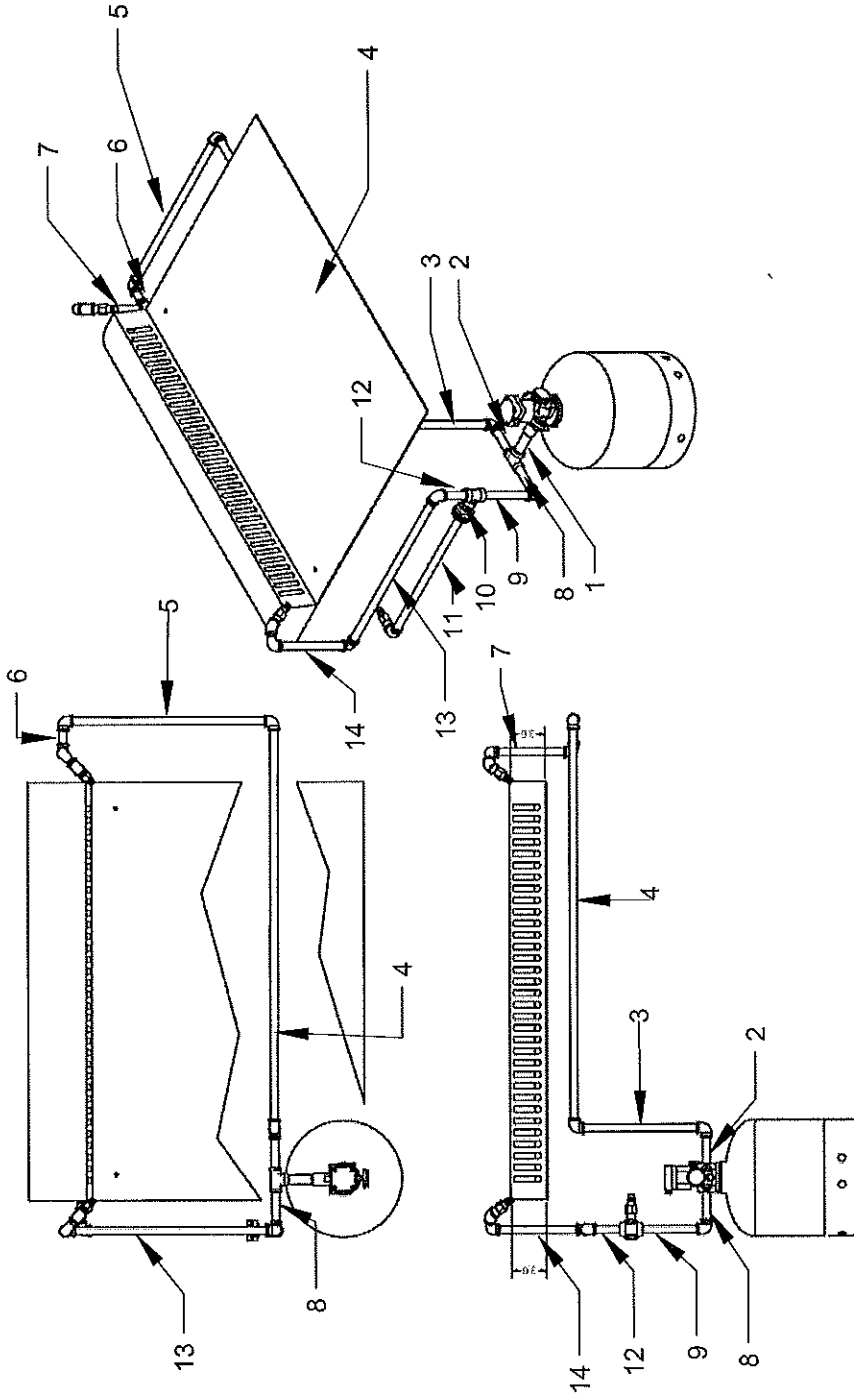


FANMA TEPPANYAKI TABLE  
PIPING LAYOUT TYPICAL



DISTRIBUTOR USE

BUCKEYE FIRE EQUIPMENT CO.

DRAWN JMS 5-04-16

PERMIT APPLICATION DRAWING

SCALE 1/4"=1'

REV I -

SHEET

2 OF 3