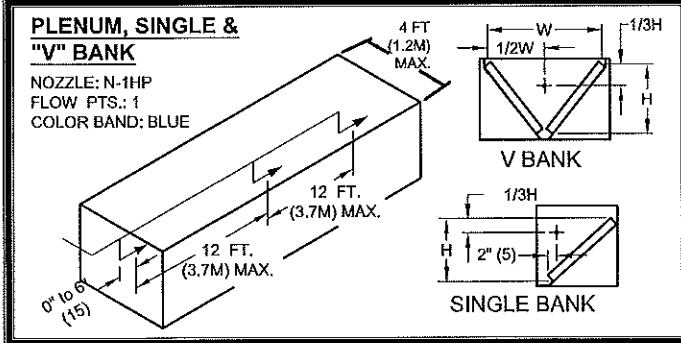
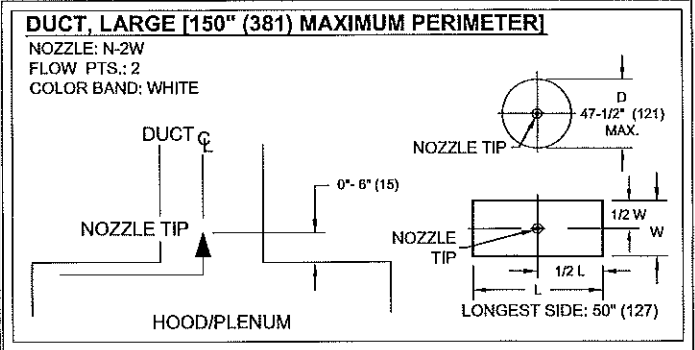
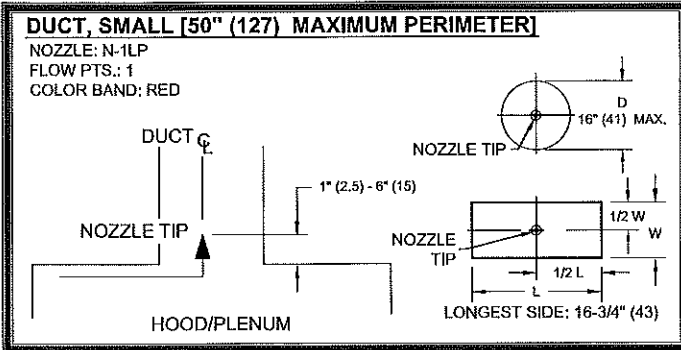
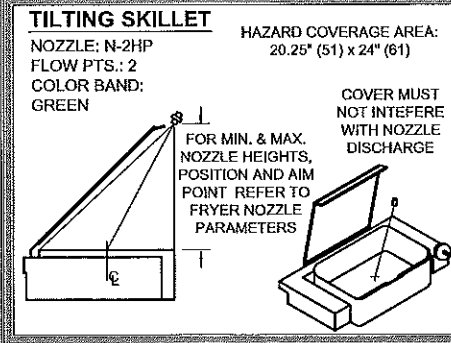
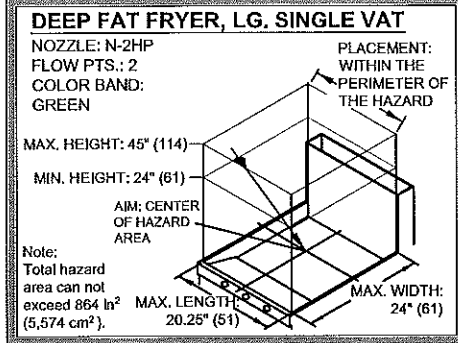
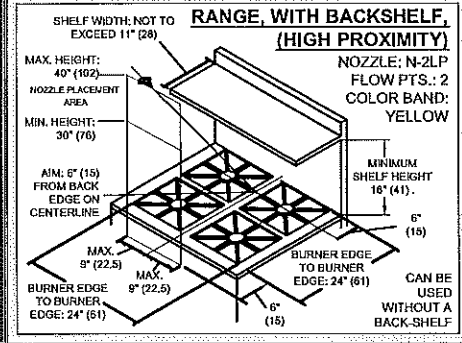
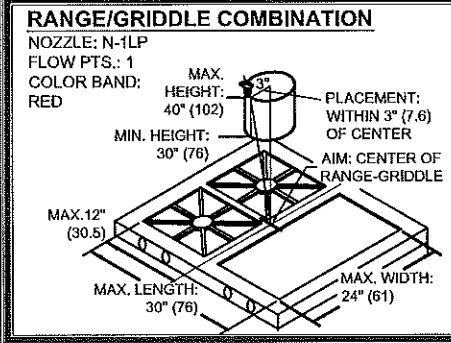
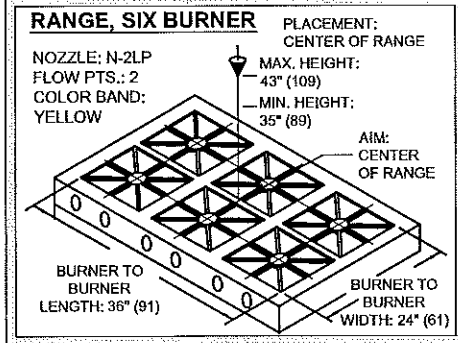
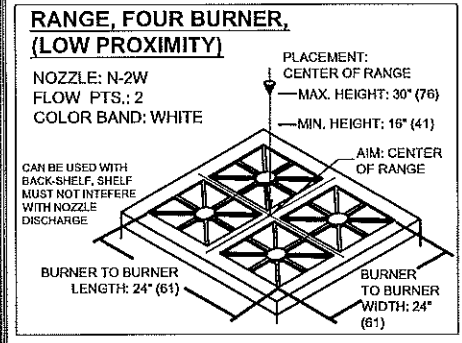
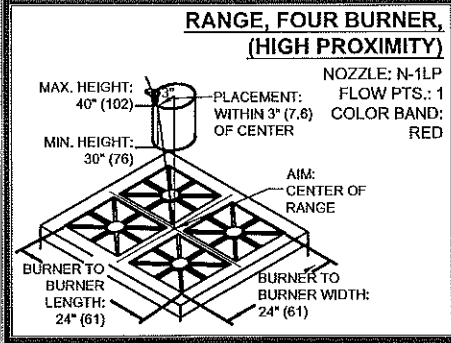
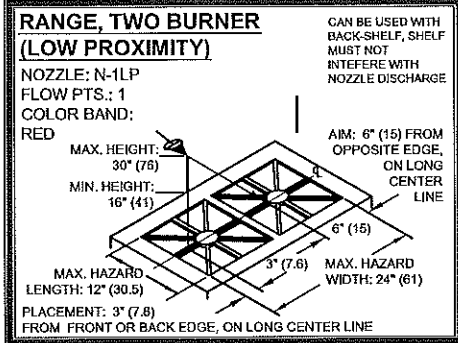


Buckeye *KITCHEN MISTER* Coverage Summary Sheet

This summary sheet is provided as a quick reference, a complete understanding of the technical manual (BFR-TM) is required. The most current Buckeye *Kitchen Mister* Restaurant Cooking Area Fire Suppression System Technical Manual (Part Number: BFR-TM) supersedes this reference sheet. It is essential that this reference sheet be compared with the current technical manual before using. Dimensions given in inches (cm) unless otherwise noted.



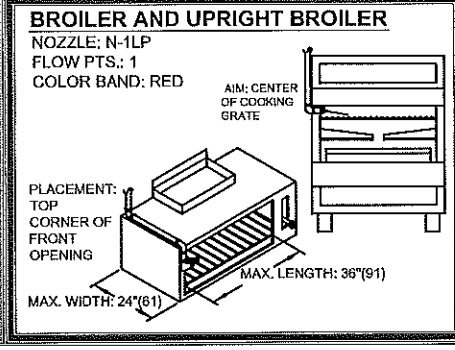
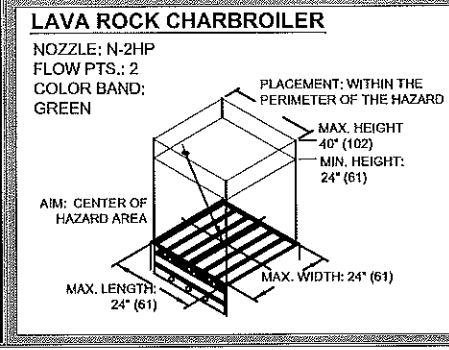
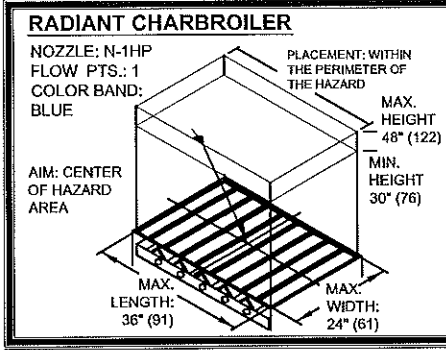
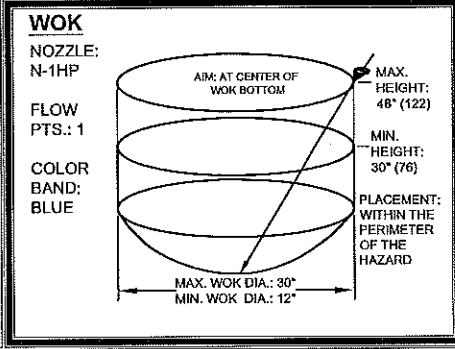
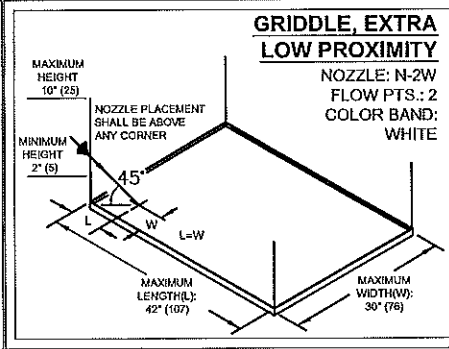
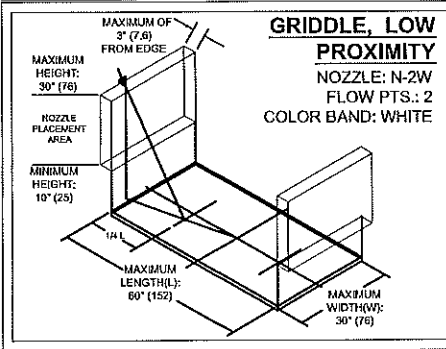
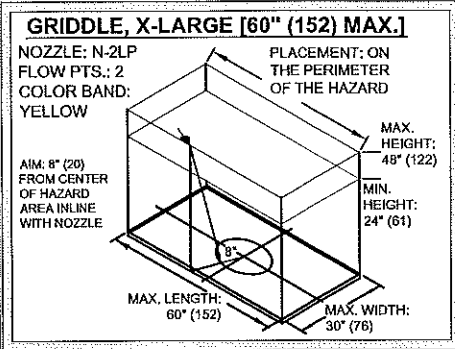
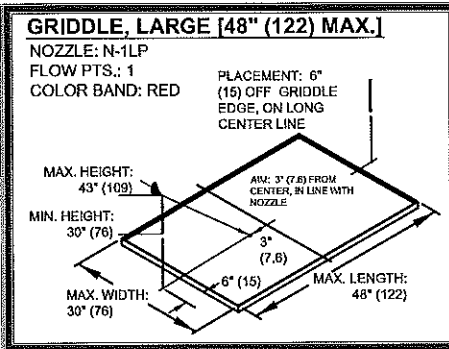
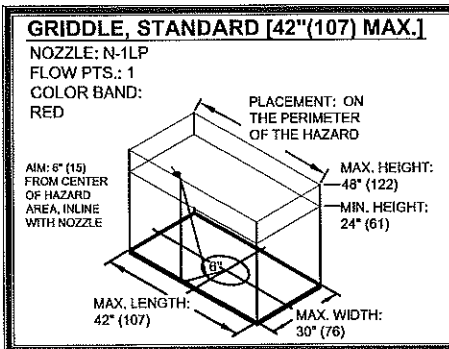
This Section Intentionally Blank



This Section Intentionally Blank

Buckeye *KITCHEN MISTER* Coverage Summary Sheet

This summary sheet is provided as a quick reference, a complete understanding of the technical manual (BFR-TM) is required. The most current Buckeye *Kitchen Mister* Restaurant Cooking Area Fire Suppression System Technical Manual (Part Number: BFR-TM) supersedes this reference sheet. It is essential that this reference sheet be compared with the current technical manual before using. Dimensions given in inches (cm) unless otherwise noted.



MAXIMUM PIPING PER CYLINDER SIZE				
CYLINDER SIZE	MAX. FLOW POINTS	MAX. PIPE VOLUME ALLOWED (mL)	MAX. PIPE VOL. BETWEEN ANY TWO NOZZLES (mL)	MAX. # OF ELBOWS
BFR-5	5	1500	1000	20
BFR-10	10	2500	2000	25
BFR-15	15	2800*	2500	25
BFR-20	20	2800*	2500	25

Piping Limitations:
 > 3/8" (17.1 mm OD) or 1/2" (21.3 mm OD)
 Sch. 40 black pipe.
 > Pipe sized largest to smallest only.
 > No "traps" allowed.
 > Max. number of elbows between any (2) nozzles: 5.
 > Max. vertical rise: 10 feet (3 m).
 > Max. vertical rise from nozzle to supply line: 2 feet (0.6 m).

Minimum Piping Requirements (Wok, Range, & DFF only):
 > Min. # of elbows before closest nozzle: 5.
 > Min. pipe volume before closest nozzle: 360 mL.
 > Total system pipe volume: 600 mL.
 > Minimum number of flow points in system: 3.

* Total volume of 3/8" piping allowed is 2500 mL.

CONDUIT AND BUCKEYE SHIELDED CABLE (BSC) LIMITATIONS						
FUNCTION	MAX. CONDUIT LENGTH FT (M)	MAXIMUM NUMBER OF CORNER PULLEYS	MAX. LENGTH OF BSC FT (M)	MAXIMUM NUMBER OF BENDS IN THE BSC (MIN. BEND RADIUS)	BSC TO CONDUIT TRANSITIONS (NUMBER OF BSC)	MAXIMUM NUMBER OF FUSIBLE LINKS AND HOLDERS
FUSIBLE LINK LINE; CONDUIT & BSC	25 (7.6)	8	35 (10.7)	6 [9" (23)]	6	10
GAS VALVE LINE; CONDUIT & BSC	25 (7.6)	8	35 (10.7)	6 [9" (23)]	6	NA
RPS-M LINE; CONDUIT & BSC	25 (7.6)	8	35 (10.7)	6 [9" (23)]	6	NA
FUSIBLE LINK LINE; CONDUIT ONLY	150 (45.7)	35	NA	NA	NA	20
GAS VALVE LINE; CONDUIT ONLY	150 (45.7)	35	NA	NA	NA	NA
RPS-M LINE; CONDUIT ONLY	150 (45.7)	35	NA	NA	NA	NA
FUSIBLE LINK LINE; BSC ONLY	NA	NA	35 (10.7)	6 [9" (23)]	6	10
GAS VALVE LINE; BSC ONLY	NA	NA	35 (10.7)	6 [9" (23)]	6	NA
RPS-M LINE; BSC ONLY	NA	NA	35 (10.7)	6 [9" (23)]	6	NA

> BSC CAN NOT be coiled or looped when installed.

PIPE SIZE (SCH. 40)		PIPE VOLUME	
3/8 in. (17.1 mm OD) pipe		37.5 mL/ft. (123mL/m)	
1/2 in. (21.3 mm OD) pipe		59.8 mL/ft. (196mL/m)	

REMOTE CYLINDER ACTUATION LIMITATIONS			
ACTUATION CARTRIDGE PART NUMBER	NUMBER OF CYLINDER(S) THAT CAN BE ACTUATED	MAX. LENGTH OF 1/4" (0.6) OD COPPER TUBING	MAX. LENGTH OF TUBING BETWEEN CYLINDERS
BFR-AC-S	1-3	15 FEET (4.6 m)	3 FEET (0.9 m)
BFR-AC-L	1-5	25 FEET (7.6 m)	3 FEET (0.9 m)