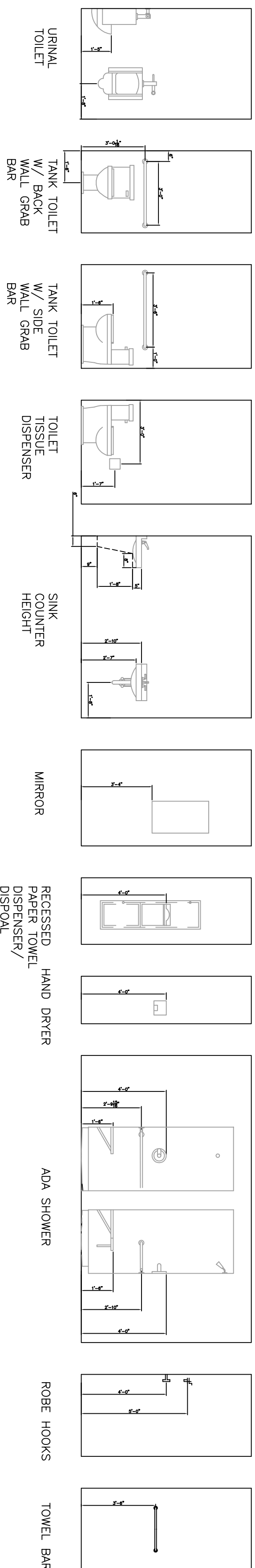


1 TYPICAL NON BRG. PARTITION WALL W/ SERVER STATIONS

A4 SCALE: 3/4"=1'-0"

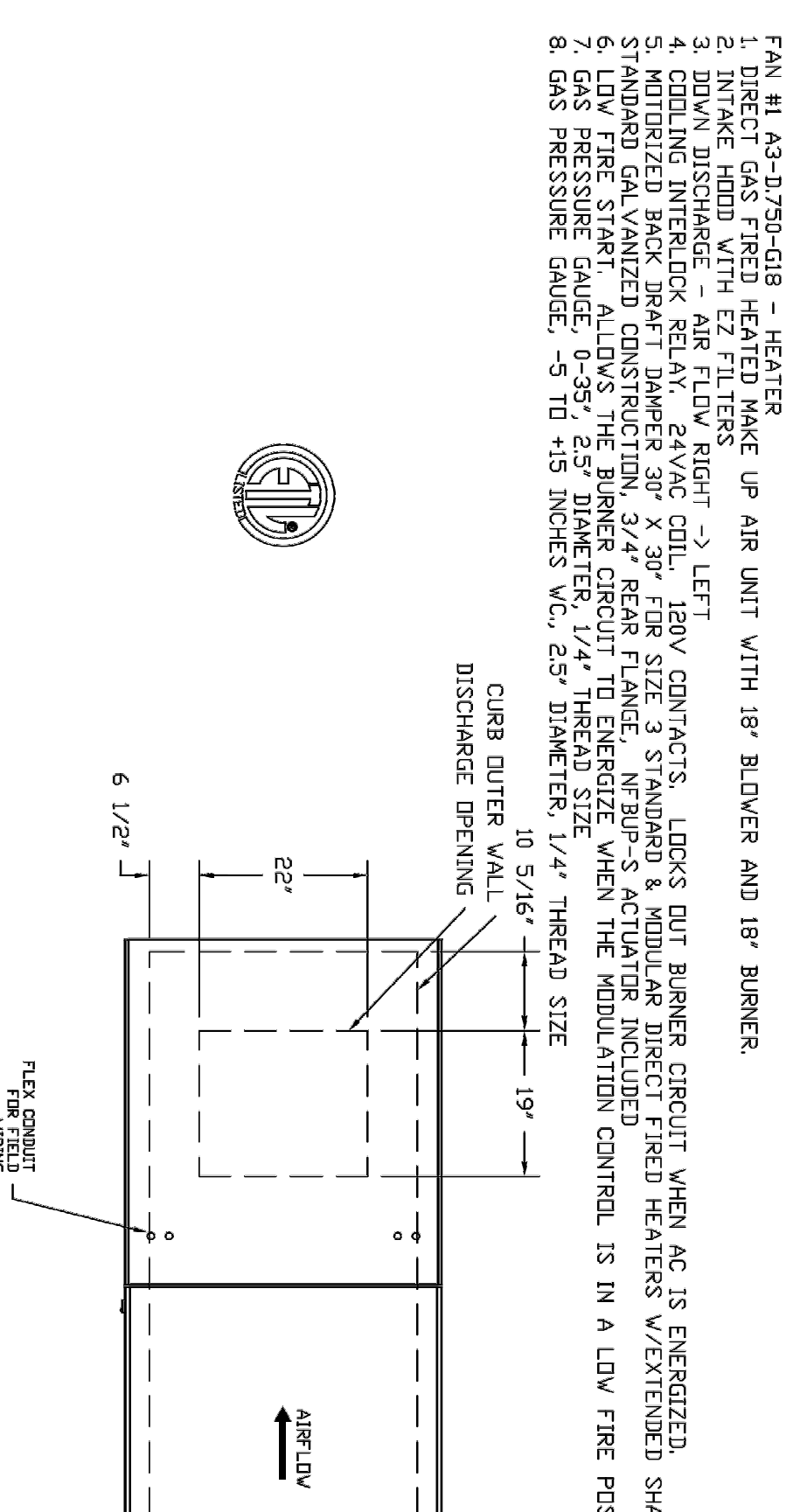
NOTE:
2X6 WOOD CONSTRUCTION NON BEARING PARTITION WALL.



ELECTRICAL & FIRE PROTECTION TYPICAL UNLESS NOTED OTHERWISE

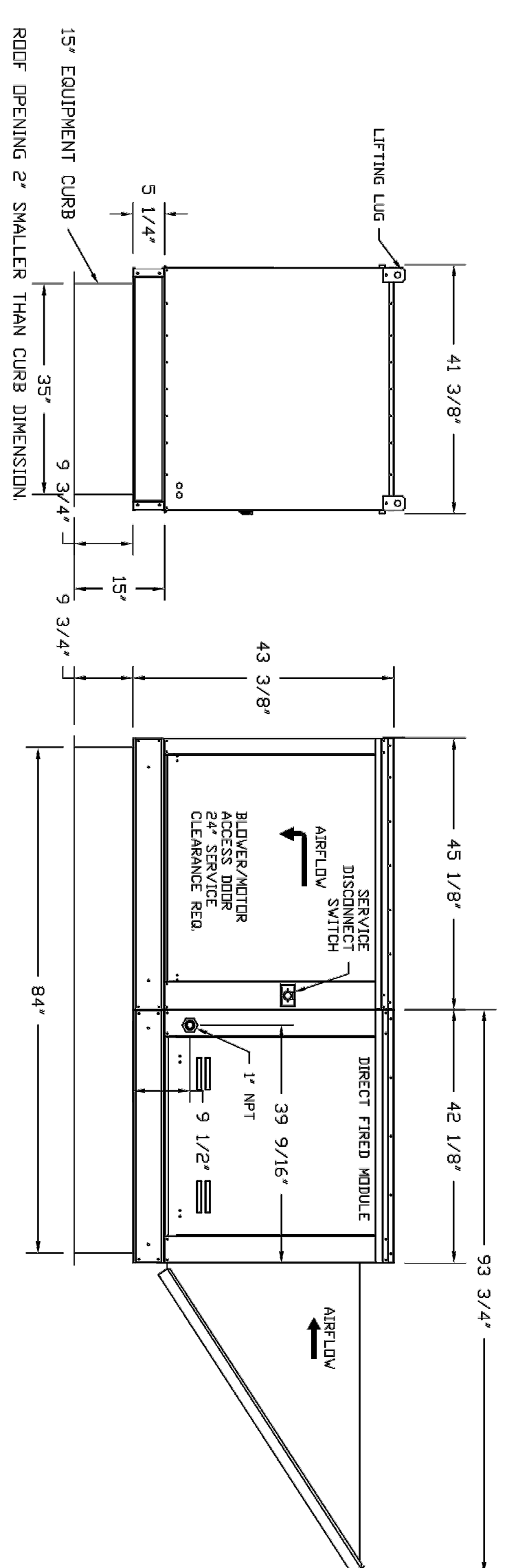
ADA REQUIREMENTS

NOT TO SCALE



- FAN #1 A92-D750-019 - HEATER
- 1. DIRECT GAS FIRED HEATED MAKE UP AIR UNIT WITH 18" BLOWER AND 18" BURKER
- 2. INTAKE HOOD WITH EZ FILTERS
- 3. DOWN DISCHARGE - AIR FLOW RIGHT -> LEFT
- 4. 50' DOWN 4" DIA. 50' 30" FOR SIZE 3 STANDARD & MODULAR DIRECT FIRED HEATERS V/EXTENDED SHAFT, 5. MODIFIED BACK BRACKET NUMBER 307
- 6. LOW FIRE START - ALLOWS THE BURNER CIRCUIT TO ENERGIZE WHEN THE MODULATION CONTROL IS IN A LOW FIRE POSITION.
- 7. GAS PRESSURE SWAGE, 1/2" DIA 1/2" DIMENSION, 25" THREAD SIZE
- 8. GAS PRESSURE SWAGE, 1/2" DIA 1/2" DIMENSION, 10 5/16" DISCHARGE OPENING
- 9. CURB OUTER WALL
- 10. 5/16" DISCHARGE OPENING

SUPPLY SIDE HEATER INFORMATION:
WINTER TEMPERATURE = 20°F. TEMP. RISE = 55°F.
BTUS CALCULATED DIFF. STANDARD AIR DENSITY
INPUT BTUS AT ALTITUDE OF 80 FT. = 41504



TYPICAL ROOF TOP HEADER AND VENTILATION

SCALE: N.T.S.
NOTE: SEE SPECIFICATION ATTACHED

PROJECT NAME: Kon Asian Bistro 1140 Brighton Ave, Portland, Maine 04102			DRAFTSMEN: Stephen S. Andrews 23 Panter Pond Pines Rd. Raymond, Maine 04071 207-415-5065	
REV.	DESCRIPTION	BY	DATE	SCALE
		SSA	12-15-10	
CODE: TOWN: Portland, Me. DATE: 05-02-16 SCALE: DESIGNED: SSA DRAWN: SSA TITLE: TYPICAL DETAILS FILE: SHEET: A-7				