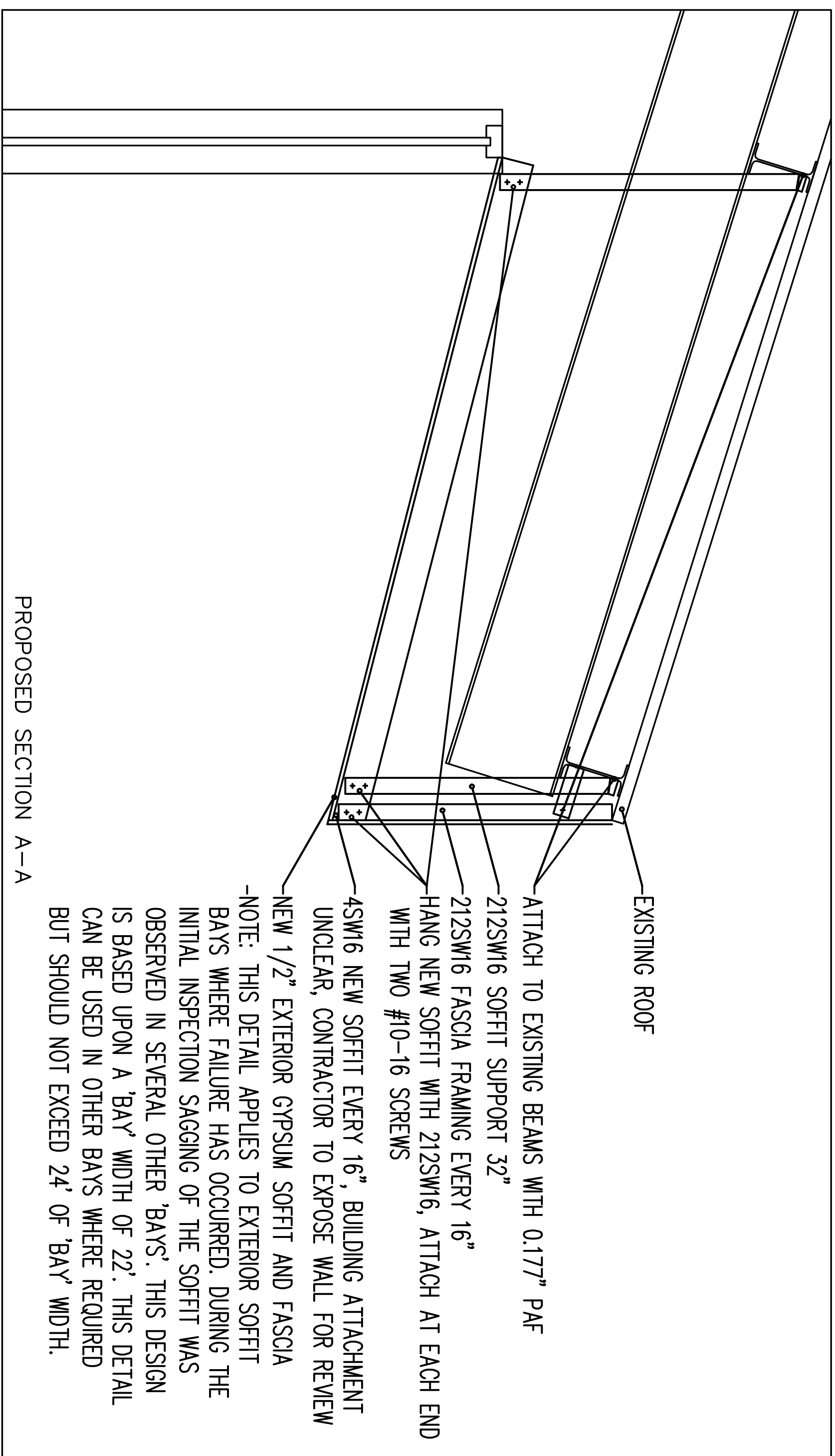
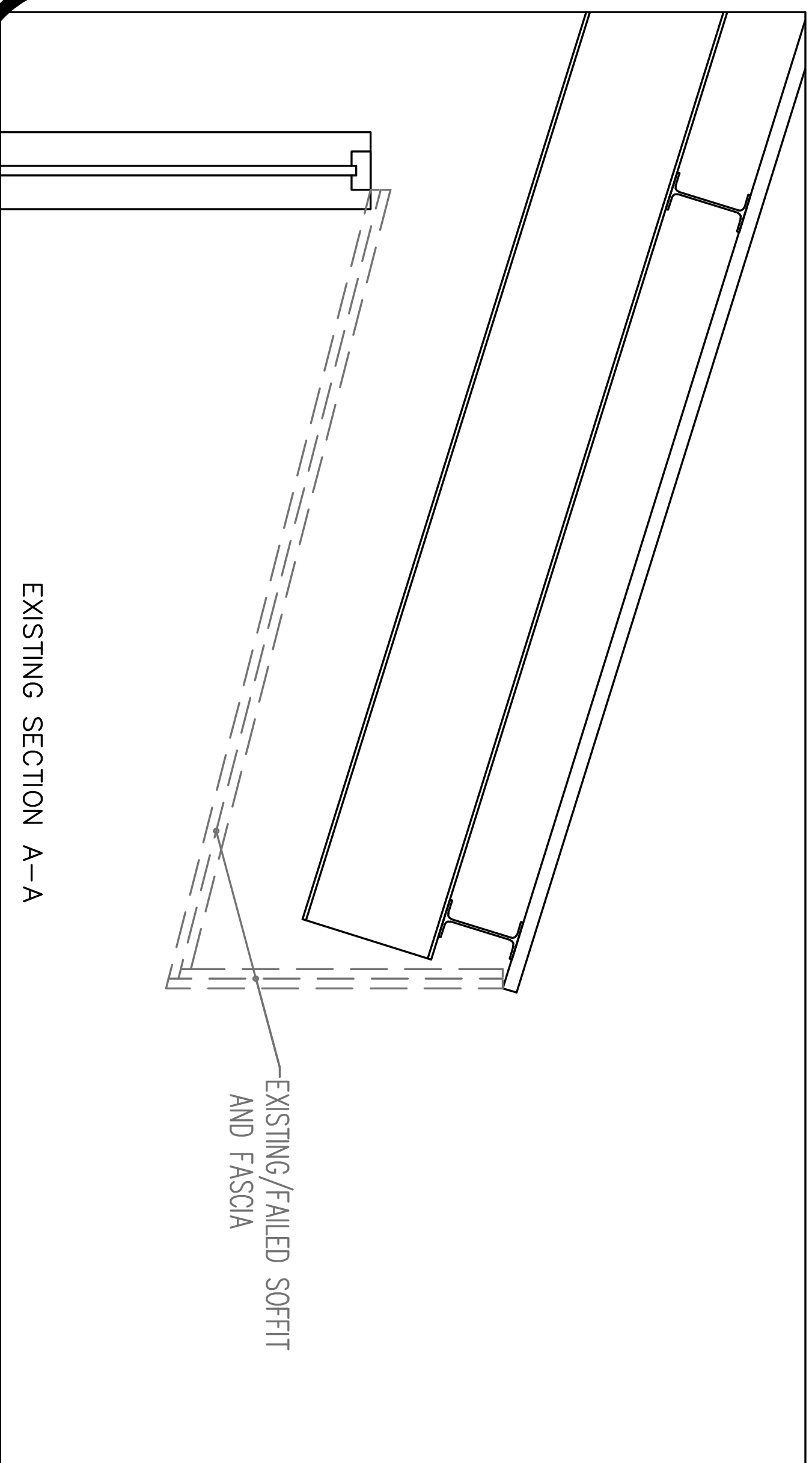


BUILDING PLAN



PROPOSED SECTION A-A

EXISTING ROOF

ATTACH TO EXISTING BEAMS WITH 0.177" PAF

212SM16 SOFFIT SUPPORT 32"

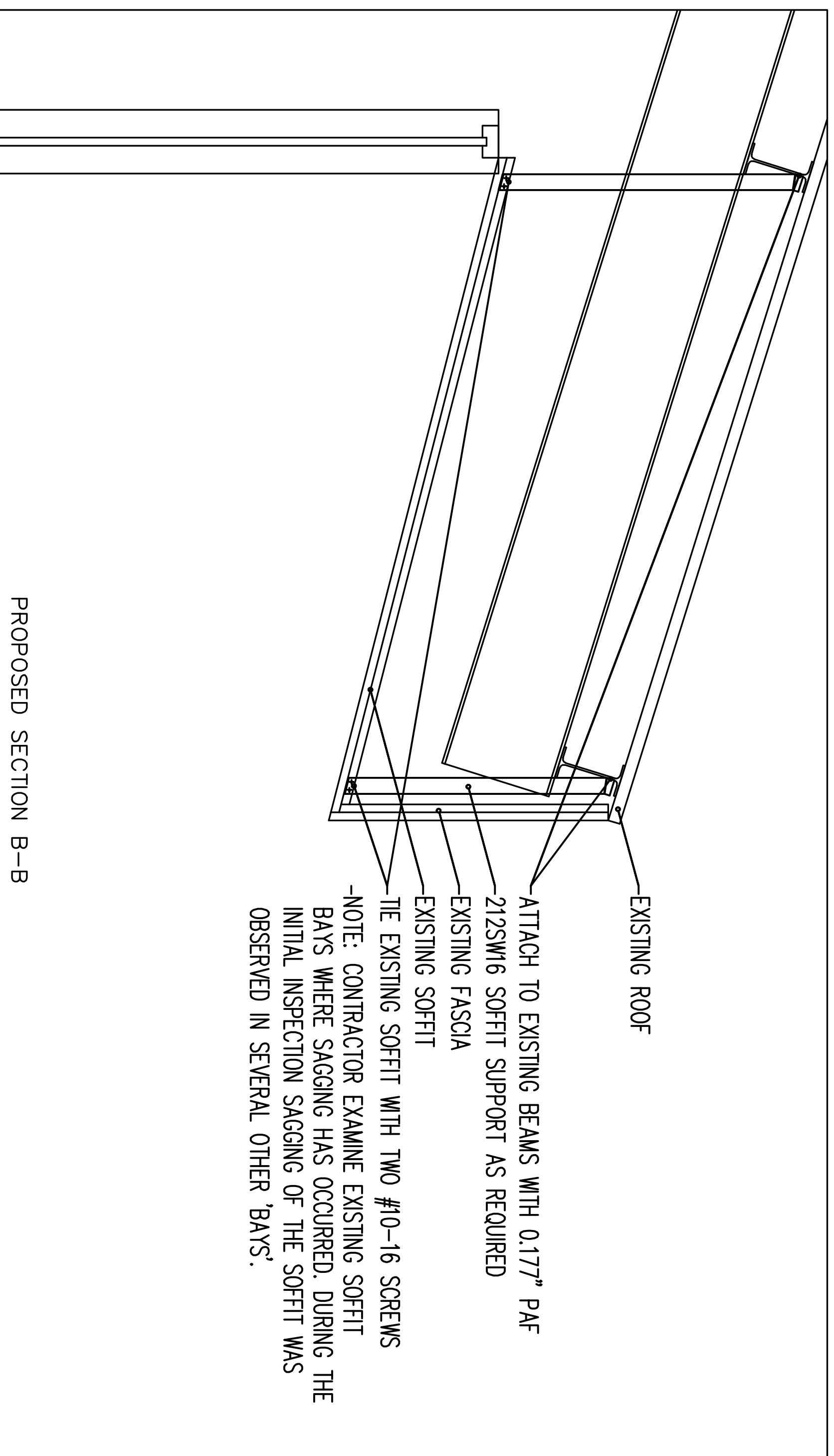
212SM16 FASCIA FRAMING EVERY 16"

HANG NEW SOFFIT WITH 212SM16, ATTACH AT EACH END WITH TWO #10-16 SCREWS

4SM16 NEW SOFFIT EVERY 16", BUILDING ATTACHMENT UNCLEAR, CONTRACTOR TO EXPOSE WALL FOR REVIEW

NEW 1/2" EXTERIOR GYPSUM SOFFIT AND FASCIA

-NOTE: THIS DETAIL APPLIES TO EXTERIOR SOFFIT BAYS WHERE FAILURE HAS OCCURRED. DURING THE INITIAL INSPECTION SAGGING OF THE SOFFIT WAS OBSERVED IN SEVERAL OTHER 'BAYS'. THIS DESIGN IS BASED UPON A 'BAY' WIDTH OF 22'. THIS DETAIL CAN BE USED IN OTHER BAYS WHERE REQUIRED BUT SHOULD NOT EXCEED 24' OF 'BAY' WIDTH.



PROPOSED SECTION B-B

EXISTING ROOF

ATTACH TO EXISTING BEAMS WITH 0.177" PAF

212SM16 SOFFIT SUPPORT AS REQUIRED

EXISTING FASCIA

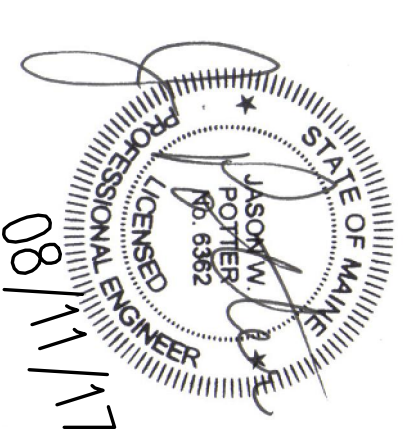
EXISTING SOFFIT

TIE EXISTING SOFFIT WITH TWO #10-16 SCREWS

-NOTE: CONTRACTOR EXAMINE EXISTING SOFFIT BAYS WHERE SAGGING HAS OCCURRED. DURING THE INITIAL INSPECTION SAGGING OF THE SOFFIT WAS OBSERVED IN SEVERAL OTHER 'BAYS'.

General Notes

- 1) DESIGN BASIS:  
IBC-2009  
WIND: 90 mph  
EXPOSURE "B"  
LIVE LOADS:  
DEAD LOADS: NONE  
SEMI WEIGHT  
2) CONTRACTOR TO VERIFY ALL DIMENSIONS AND CONDITIONS PRIOR TO COMMENCEMENT OF WORK



No.	Revision/Issue	Date
3	ADD PLAN PER CITY REQUEST	8/11/17
2	ADD DETAIL FOR EXISTING	8/10/17
1	ISSUED FOR REVIEW	8/9/17

Firm Name and Address  
**WOODBURY HILL PROFESSIONALS**  
 8 WOODBURY HILL ROAD  
 AUBURN, MAINE 04210  
 (207) 783-4459

Project Name and Address  
 REPAIRS TO SOFFIT AT DENNY'S RESTAURANT  
 1100 CONGRESS STREET  
 FOR PAUL DAVIS  
 390 PRESUMPSCOT STREET  
 PORTLAND, MAINE

Project: STRUCTURE  
 Date: 08/08/17  
 Scale: 1/8" = 1' 0"  
 Sheet: S1