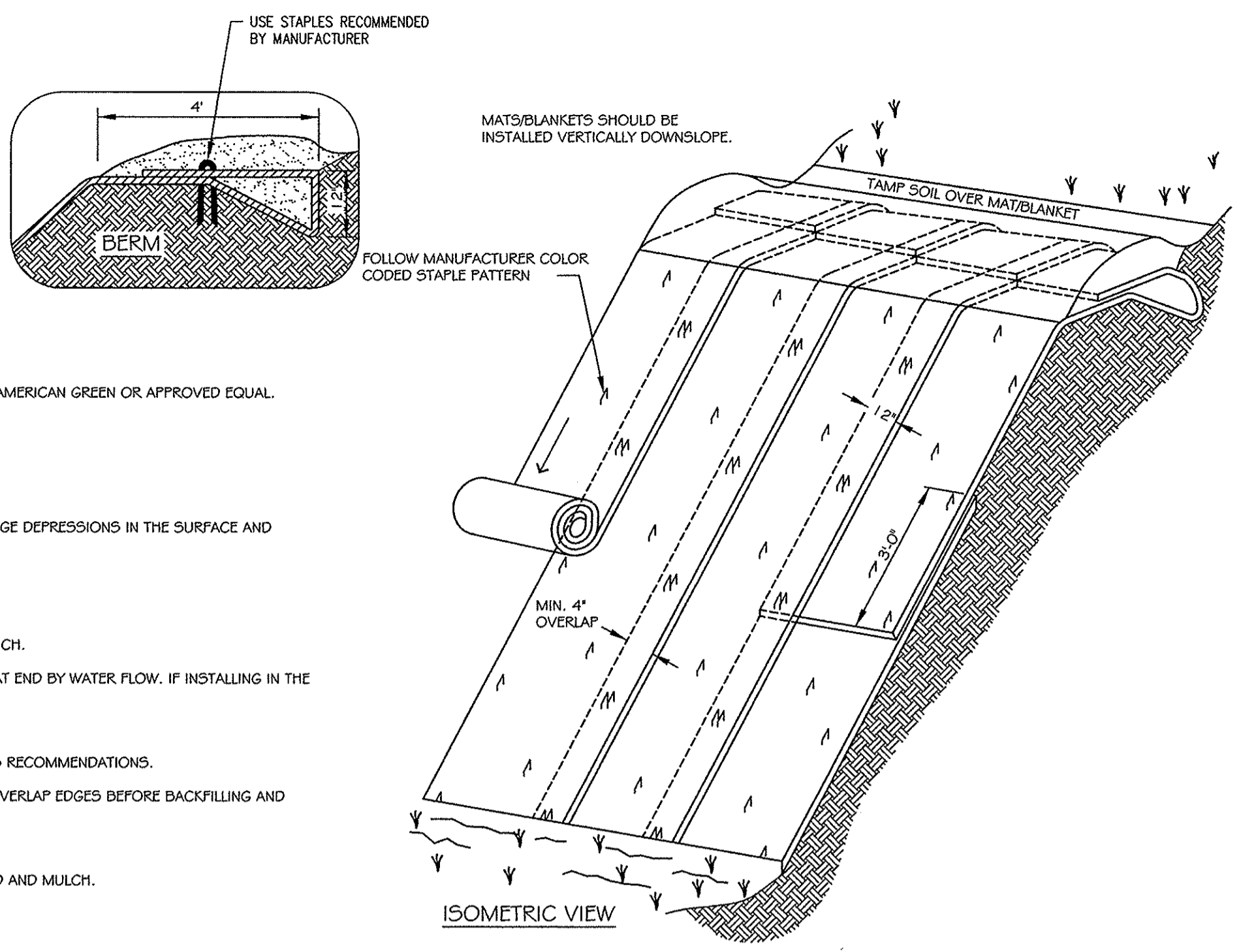
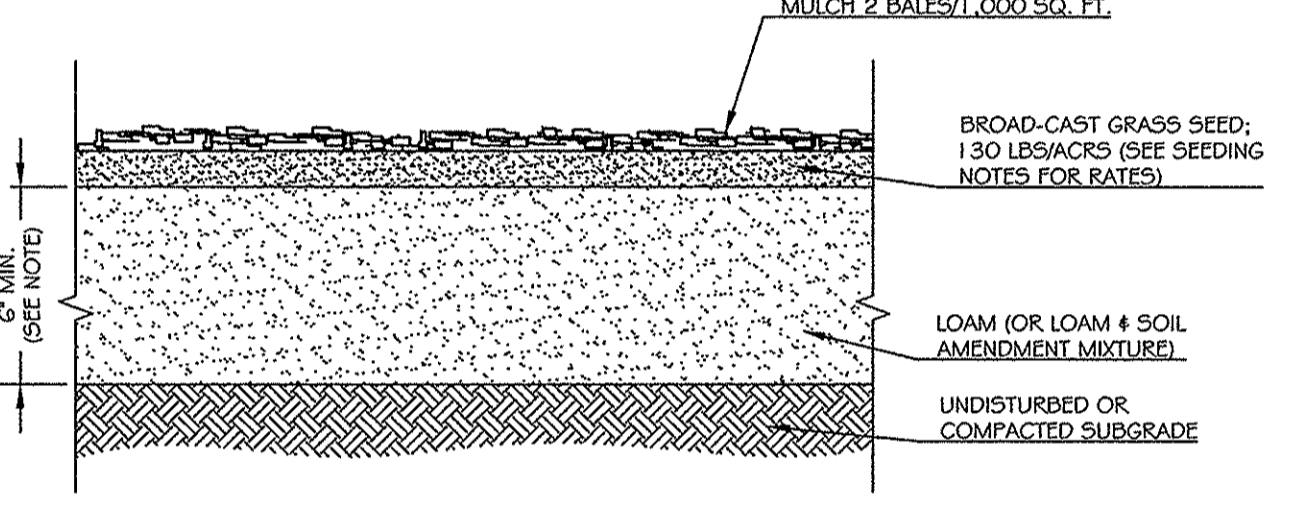
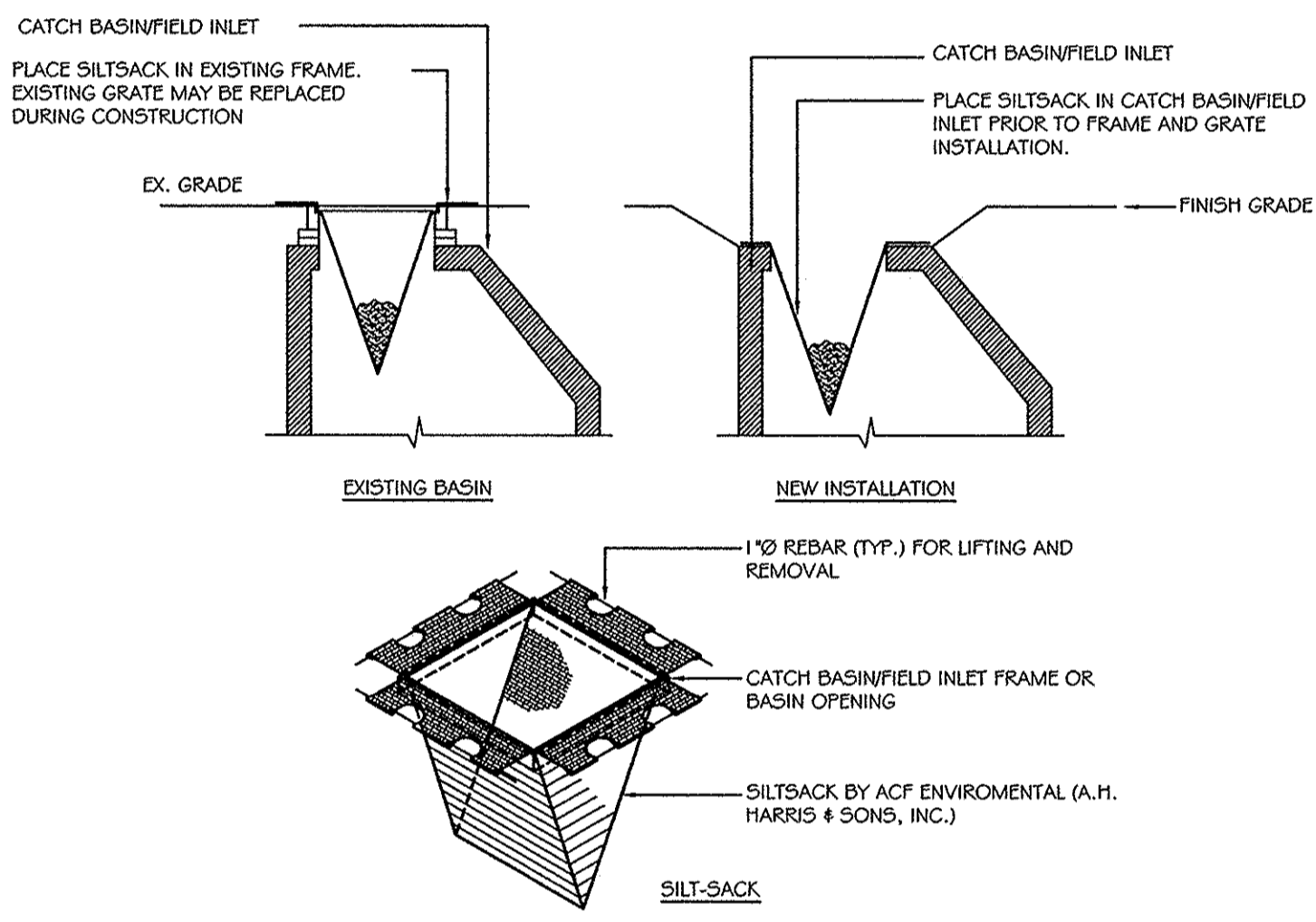
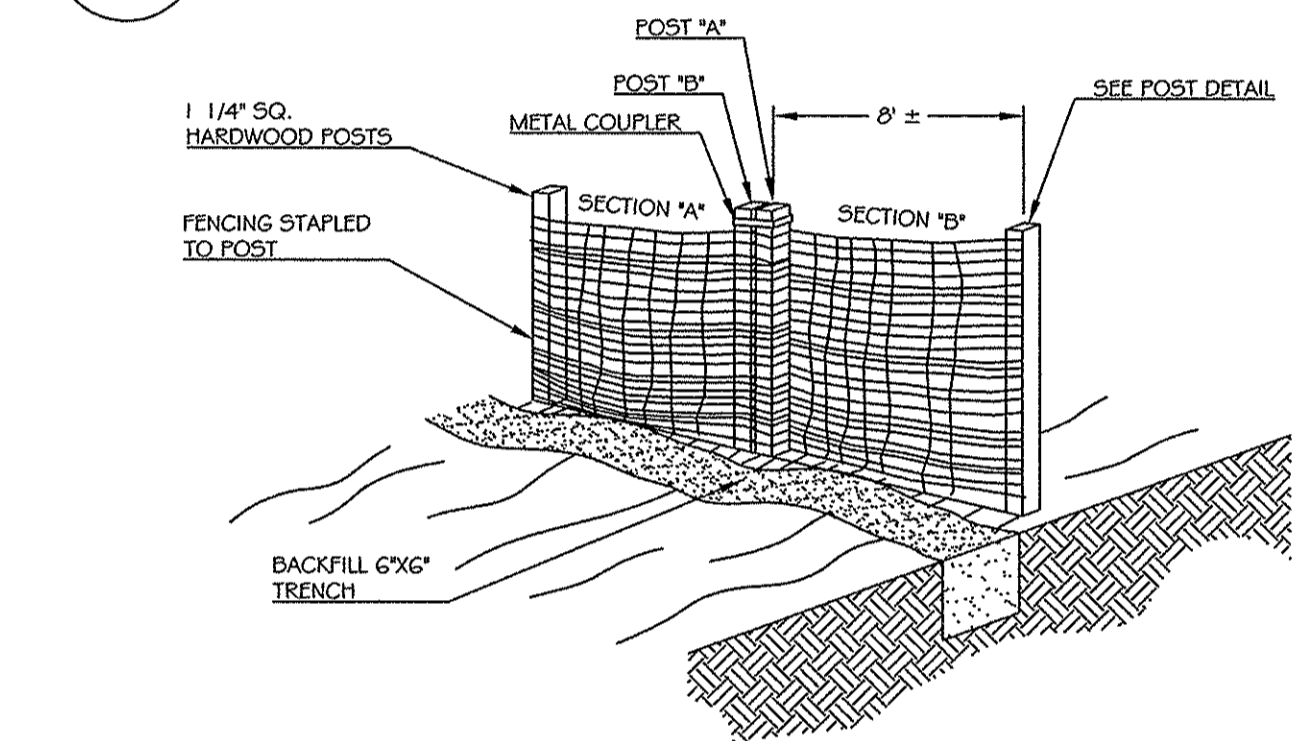


- INSTALLATION INSTRUCTIONS:**
- TURF REINFORCEMENT MAT (TRM) MATERIAL SHALL BE ENKAMAT 7020, OR APPROVED EQUAL.
 - EROSION CONTROL BLANKET (ECB) SHALL BE BIONET S75BN SINGLE NET STRAW BLANKET BY NORTH AMERICAN GREEN OR APPROVED EQUAL.
 - FOR TRM INSTALLATION ONLY:
 - APPLY 2" OF LOAM ONTO THE GROUND SURFACE.
 - OVER TOP THE 2" OF LOAM, UNROLL MAT IN THE DIRECTION OF WATER FLOW.
 - MAT SHOULD LIE FLAT. DO NOT STRETCH MAT OVER GROUND. STRETCHING MAY CAUSE MAT TO BRIDGE DEPRESSIONS IN THE SURFACE AND ALLOW EROSION UNDERNEATH.
 - BURY TRANSVERSE TERMINAL ENDS OF MAT TO SECURE AND PREVENT EROSIIVE FLOW UNDERNEATH.
 - SECURE MAT SNUGLY INTO ALL TRANSVERSE CHECK SLOTS.
 - BACKFILL AND COMPACT TRENCHES AND CHECK SLOTS AFTER STAKING THE MAT IN BOTTOM OF TRENCH.
 - OVERLAP ROLL ENDS BY THREE (3) FEET (MIN.) WITH UPSLOPE MAT ON TOP TO PREVENT UPLIFT OF MAT END BY WATER FLOW. IF INSTALLING IN THE DIRECTION OF A CONCENTRATED WATER FLOW, START NEW ROLLS IN A TRANSVERSE DITCH.
 - OVERLAP ADJACENT EDGES OF MAT BY THREE (3) INCHES (MIN.) AND STAKE.
 - USE WOOD STAKES OR STAPLES FOR PINNING MAT TO THE GROUND SURFACE, PER MANUFACTURER'S RECOMMENDATIONS.
 - IN ALL TRANSVERSE TERMINAL TRENCHES AND CHECK SLOTS, STAKE EACH MAT AT ITS CENTER AND OVERLAP EDGES BEFORE BACKFILLING AND COMPACTING.
 - STAKE OVERLAPS LONGITUDINALLY AT THREE (3) TO FIVE (5) FOOT INTERVALS.
 - WORK ADDITIONAL LOAM INTO THE MAT AND COVER THE MAT SURFACE WITH 1" OF LOAM, THEN SEED AND MULCH.

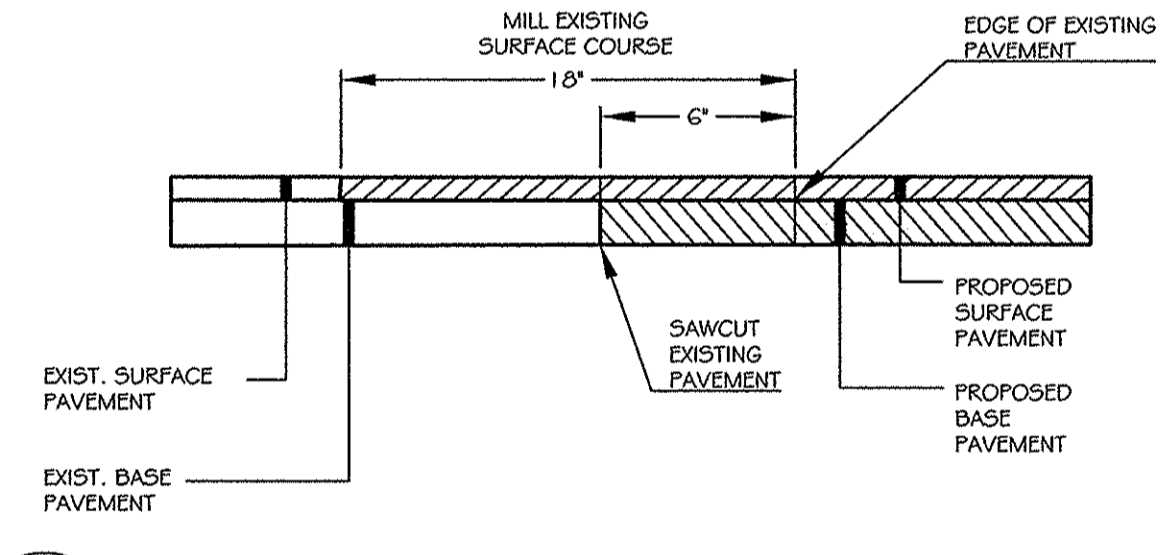
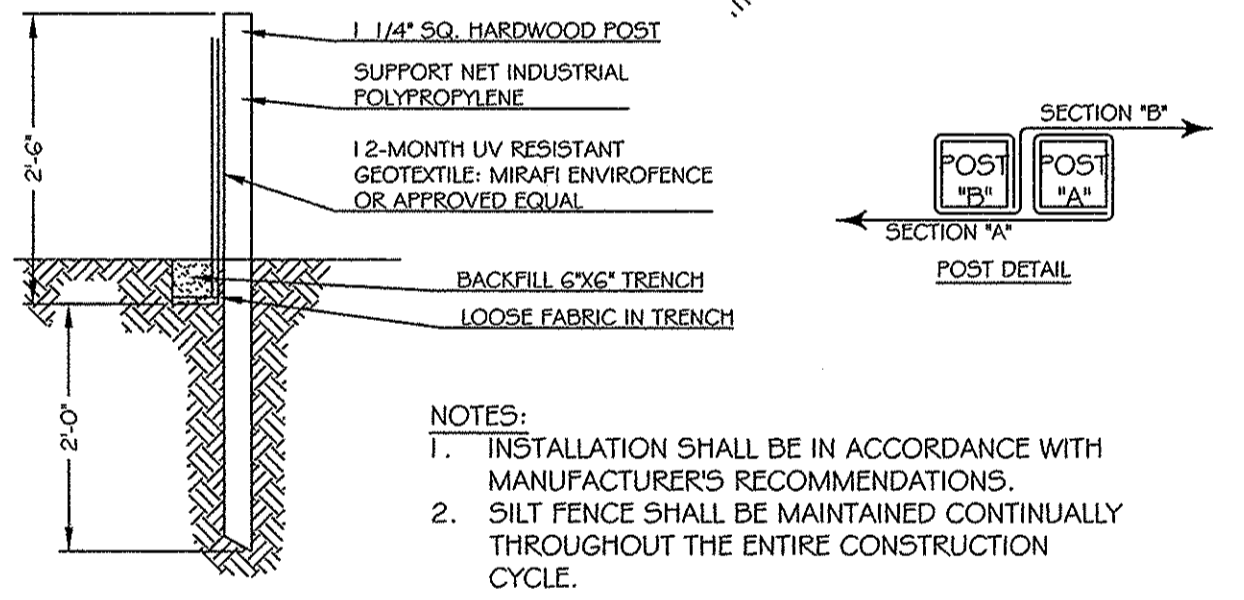


1 STABILIZED CONSTRUCTION ENTRANCE
NOT TO SCALE

2 STRAW MATTING AND TRM EROSION CONTROL
NOT TO SCALE



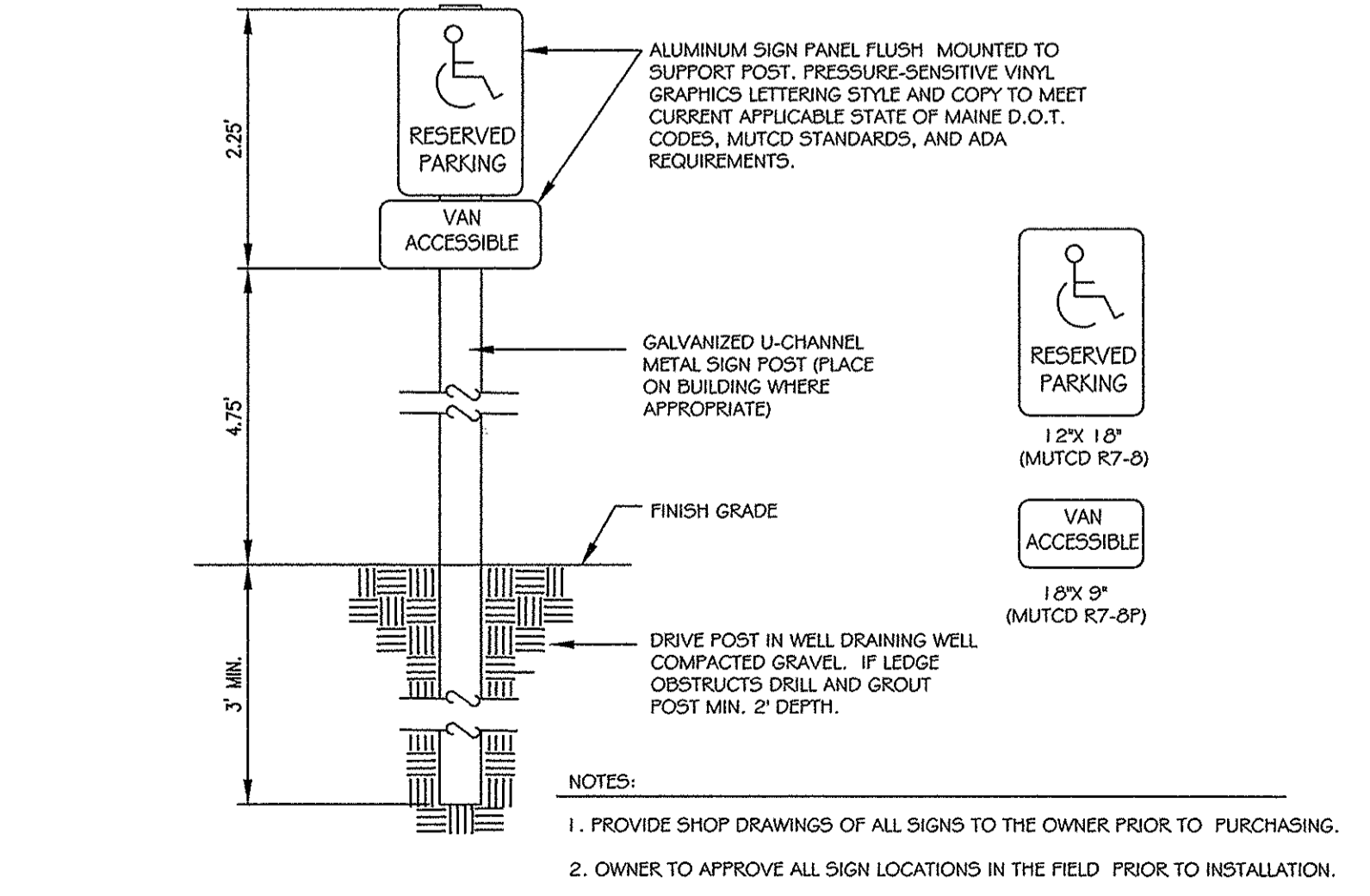
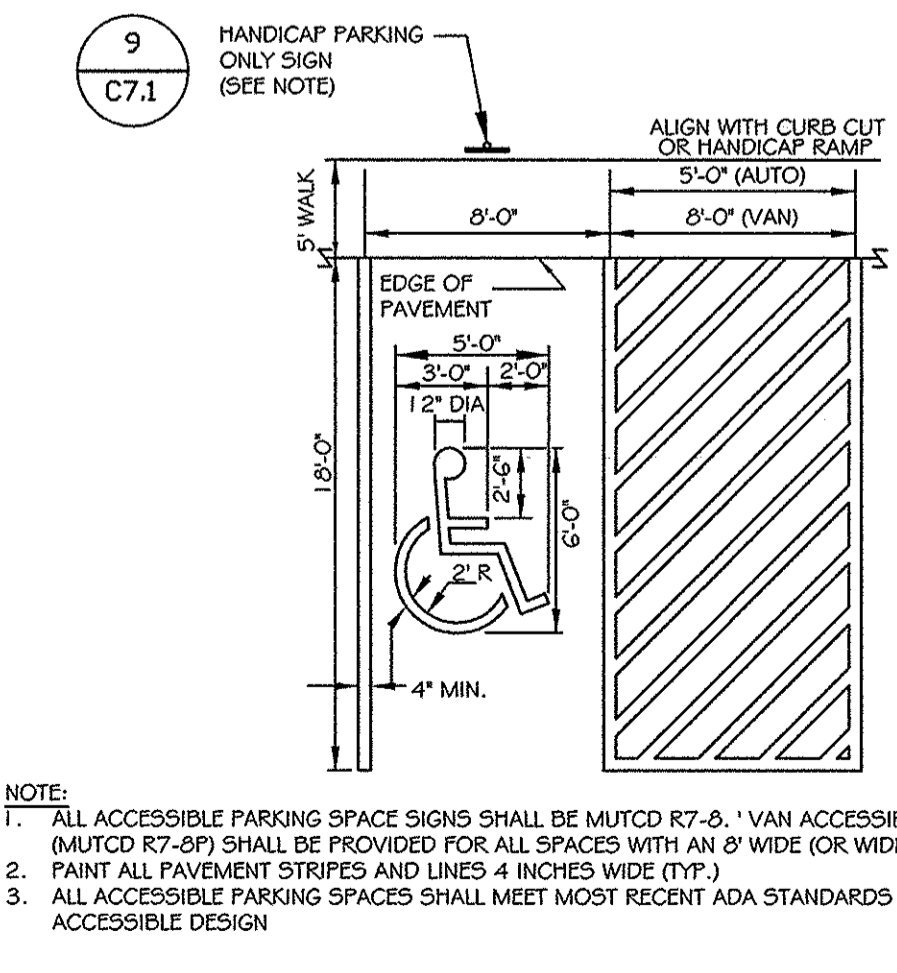
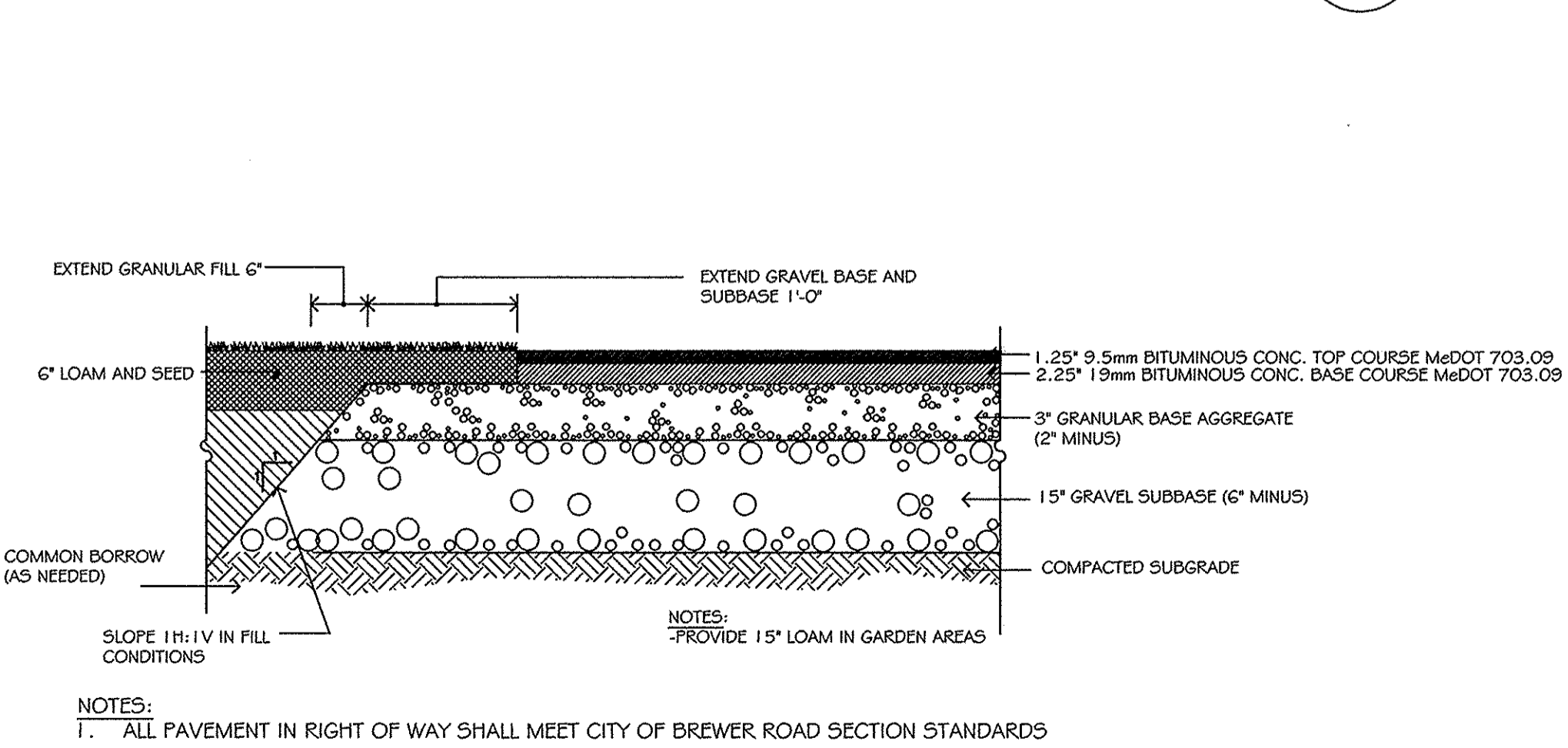
5 LOAM AND SEED DETAIL
NOT TO SCALE



6 HMA PAVEMENT BUTT JOINT DETAIL
NOT TO SCALE

3 PREFABRICATED SILT FENCE
NOT TO SCALE

4 CATCH BASIN PROTECTION DETAIL
NOT TO SCALE



7 PAVEMENT SECTION: DRIVEWAY, PARKING, AND ROADWAY
NOT TO SCALE

8 ACCESSIBLE PARKING STALL DETAIL
NOT TO SCALE

9 ADA SIGNAGE DETAIL
NOT TO SCALE

PORTLAND HOTELS, INC.
1200 BRIGHTON AVENUE
PORTLAND, MAINE

HOTEL REDEVELOPMENT
1210 BRIGHTON AVENUE
PORTLAND, MAINE

SCALE: AS SHOWN
DATE: APRIL 4, 2017
PROJECT: 16198

DRN BY: JDC
DESS BY: TSG
CHK BY: [Signature]

SITE DETAILS

C7.1