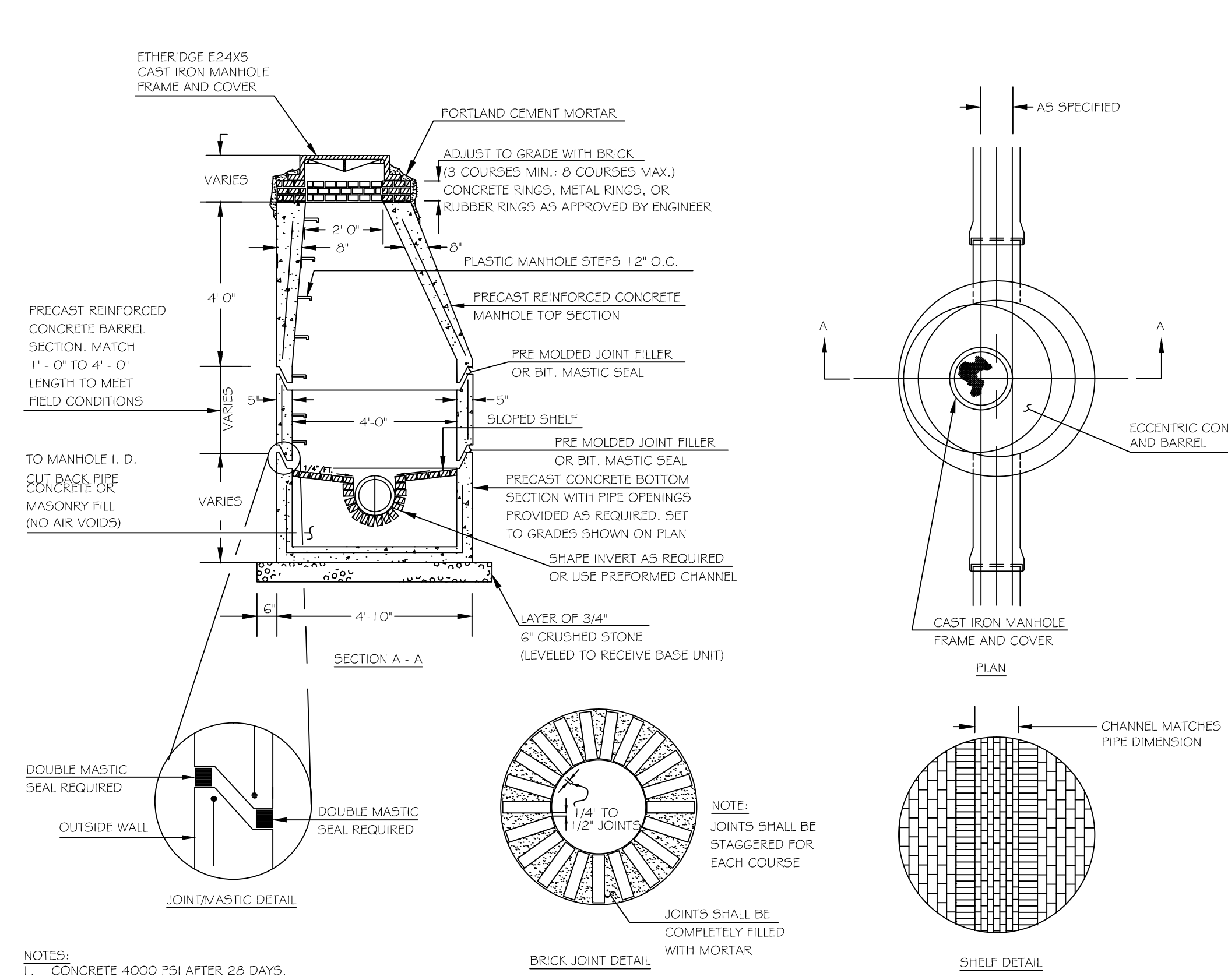


1. ALL CONCRETE SHALL BE CLASS "A" AND HAVE A MINIMUM ULTIMATE COMPRESSIVE STRENGTH OF 4000 lbs. PER SQ. INCH AT THE END OF 28 DAYS, UNLESS OTHERWISE NOTED.
2. PRECAST REINFORCED CONE BARREL MANUFACTURED PER ASTM SPEC. C-478-67
3. SEWER BRICK SHALL CONFORM TO ASTM SPEC. DESIGNATE ON C-32-63, GRADE MA AND SA.
4. ALL MANHOLES SHALL HAVE A BITUMINOUS WATERPROOFING APPLIED TO THE EXTERIOR SURFACE. IF CONSTRUCTED OF BRICK MASONRY, SURFACE SHALL BE PLASTERED WITH A SMOOTH MORTAR FINISH 3/8" THICK. AFTER THE MORTAR HAS SET, THE SURFACE SHALL BE WATERPROOFED AS REQUIRED BY SUPPLEMENTAL SPECIFICATIONS SECTION 604.
5. CASTINGS SHALL CONFORM TO ASTM DESIGNATION A48-CLASS 35. ALL PARTS OF CASTINGS, EXCEPT FINISHED SURFACE, SHALL RECEIVE A COAT OF COAL TAR PITCH VARNISH OR ASPHALTUM PAINT WHICH SHALL BE SMOOTH AND TOUGH BUT NOT BRITTLE.
6. MANHOLES MAY BE CONSTRUCTED OF MASONRY, PRECAST REINFORCED CONCRETE, OR CAST IN PLACE.
7. ALL PRECAST MANHOLES AND CATCH BASINS SHALL BE IDENTIFIED BY STATION AND OFFSET, PAINTED ON THE SIDE OF THE STRUCTURE BY THE MANUFACTURER.
8. STORM AND SEWER MANHOLES SHALL HAVE SOLID COVERS WITH ONE DRILLED PICK HOLE.
9. EXISTING MANHOLES, CATCH BASINS, FRAMES, AND COVERS SHALL BE SALVAGED BY THE CONTRACTOR, AND SHALL REMAIN THE PROPERTY OF THE CITY OF PORTLAND.

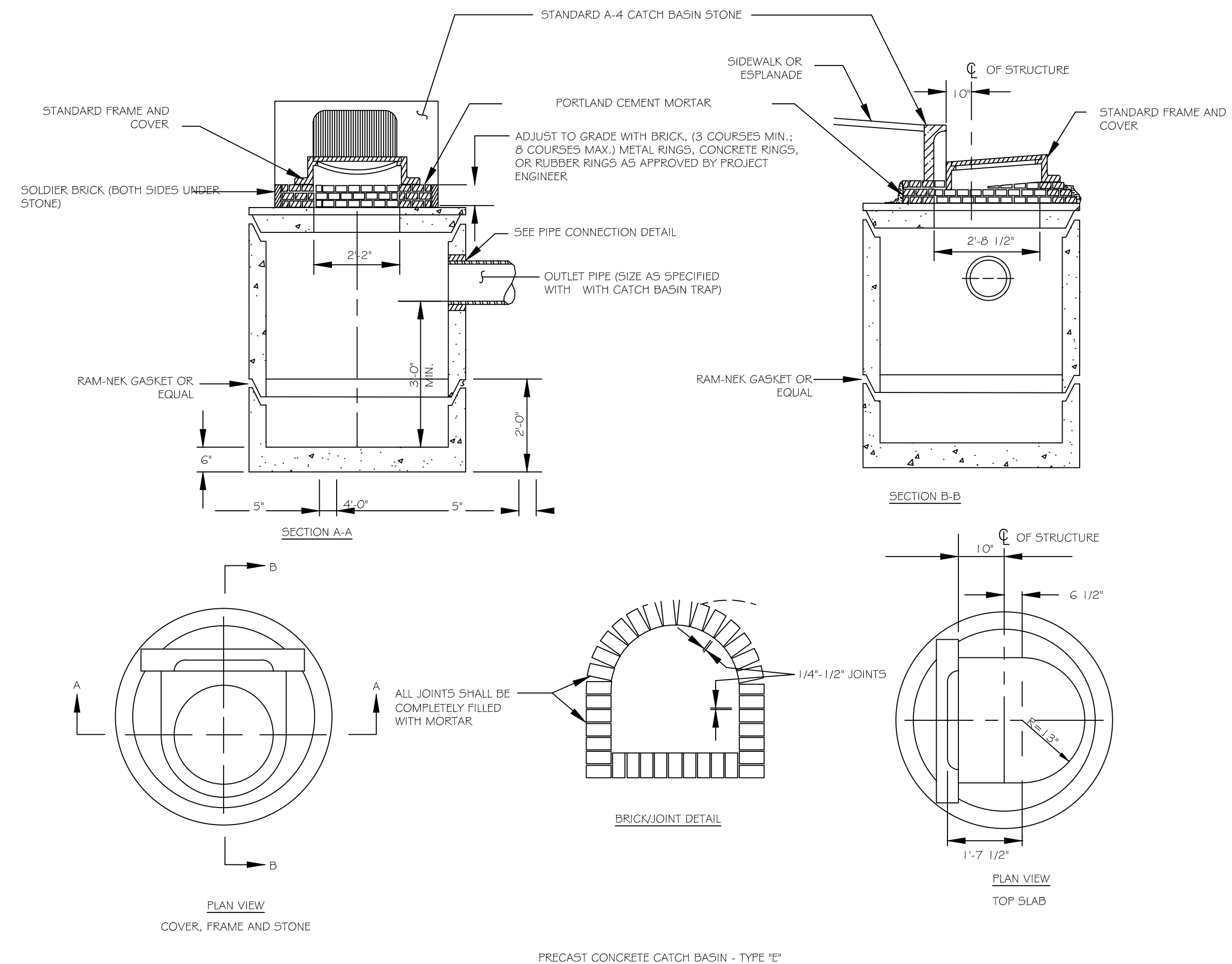
GENERAL NOTES FOR MANHOLES AND CATCH BASINS

NOT TO SCALE



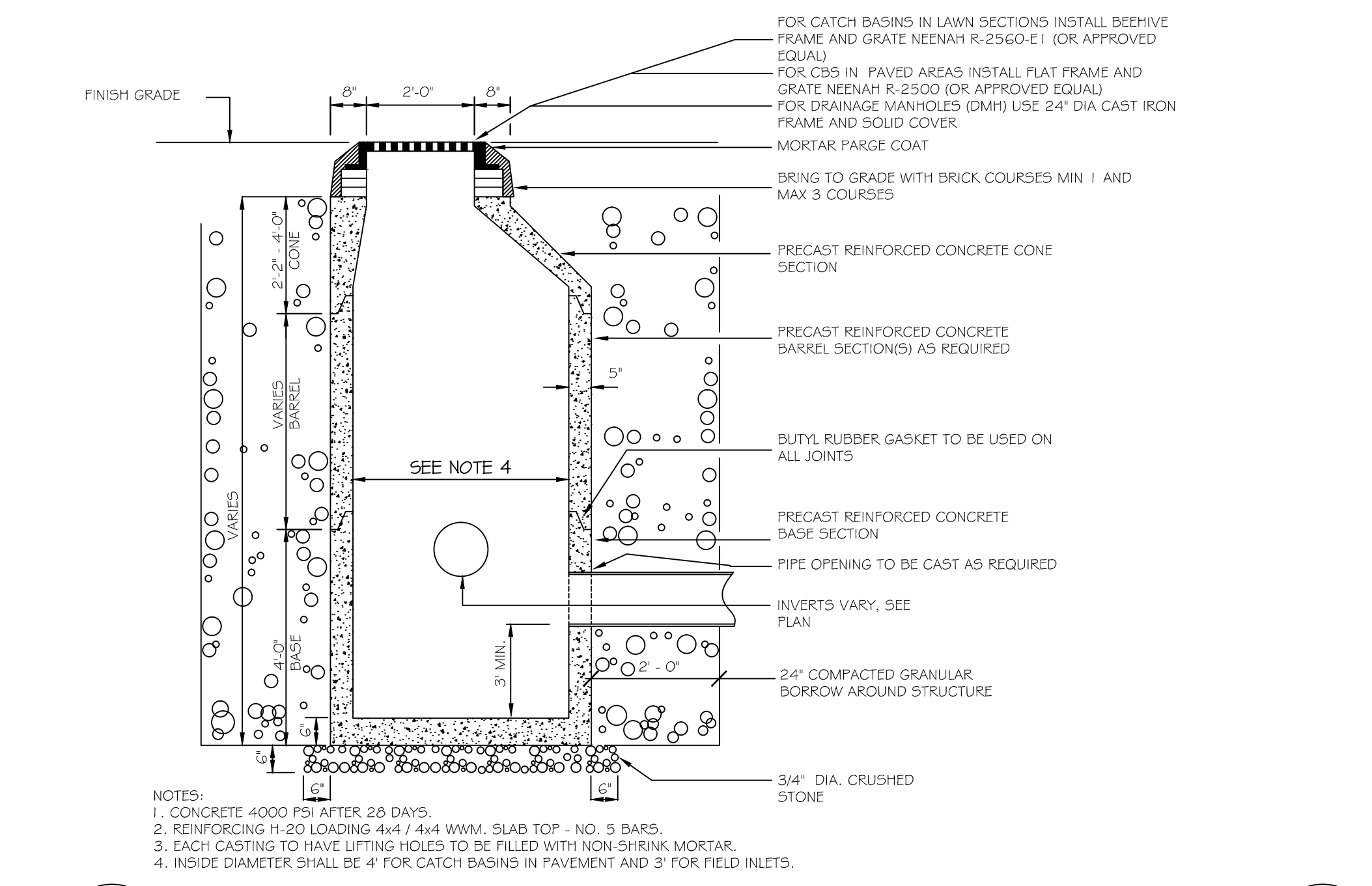
- NOTES:**
1. CONCRETE 4000 PSI AFTER 28 DAYS.
 2. REINFORCING H-20 LOADING 4x4 / 4x4 W/M.
 3. EACH CASTING TO HAVE LIFTING HOLES TO BE FILLED WITH NON-SHRINK MORTAR.
 4. MANHOLE STEPS TO BE HIGH IMPACT PLASTIC.
 5. APPLY TWO COATS OF BITUMASTIC PAINT ON ALL EXTERIOR SECTIONS.
 6. MANHOLE CHANNELS REQUIRING CHANGE OF ALIGNMENT, TO BE BUILT ON SMOOTH RADIUS. CHANNEL TO BE SHAPED TO ACCEPT ADDITIONAL INLET PIPES.
 7. ALL SANITARY MANHOLE COVERS SHALL HAVE "SEWER" CAST INTO THE COVER.

1 TYPICAL SANITARY MANHOLE
C4.4 NOT TO SCALE



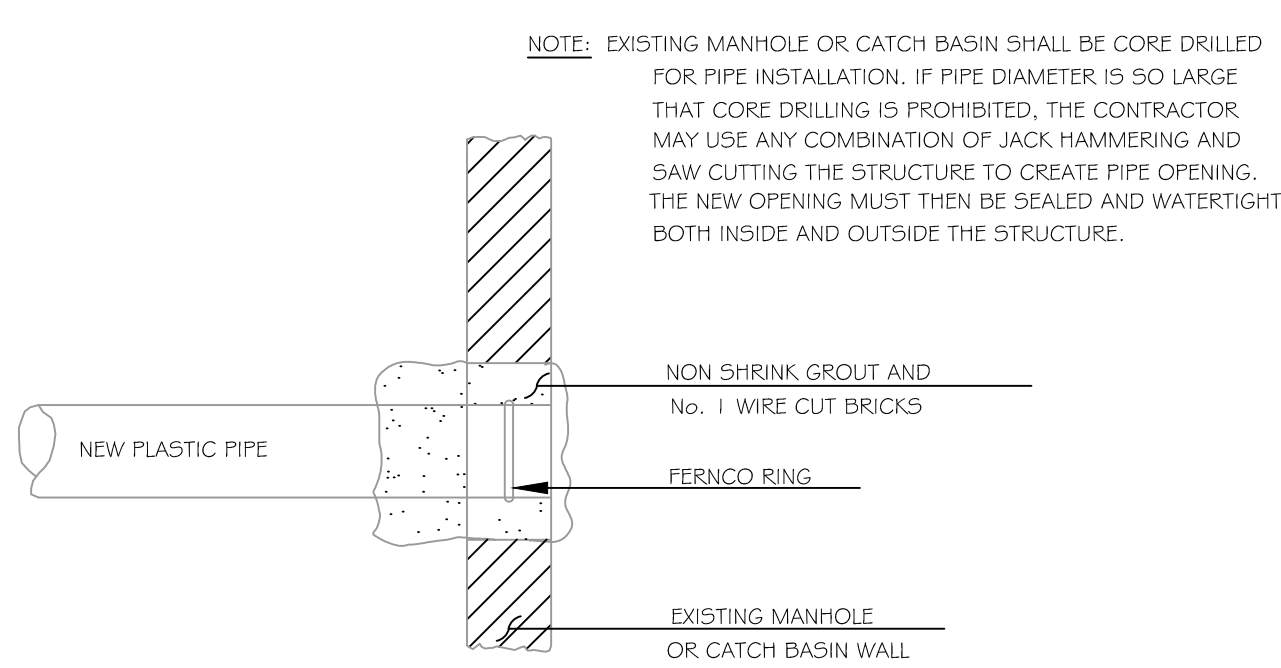
2 TYPICAL CATCH BASIN AT CURB IN BRIGHTON AVE R.O.W.
C4.4 NOT TO SCALE

3 GENERAL NOTES FOR MANHOLES AND CATCH BASINS
C4.4 NOT TO SCALE



- NOTES:**
1. CONCRETE 4000 PSI AFTER 28 DAYS.
 2. REINFORCING H-20 LOADING 4x4 / 4x4 W/M. SLAB TOP - NO. 5 BARS.
 3. EACH CASTING TO HAVE LIFTING HOLES TO BE FILLED WITH NON-SHRINK MORTAR.
 4. INSIDE DIAMETER SHALL BE 4' FOR CATCH BASINS IN PAVEMENT AND 3' FOR FIELD INLETS.

4 PRECAST CONCRETE CATCH BASIN / DRAINAGE MANHOLE (ONSITE)
C4.4 NOT TO SCALE



NOTE: EXISTING MANHOLE OR CATCH BASIN SHALL BE CORE DRILLED FOR PIPE INSTALLATION. IF PIPE DIAMETER IS SO LARGE THAT CORE DRILLING IS PROHIBITED, THE CONTRACTOR MAY USE ANY COMBINATION OF JACK HAMMERING AND SAW CUTTING THE STRUCTURE TO CREATE PIPE OPENING. THE NEW OPENING MUST THEN BE SEALED AND WATERTIGHT BOTH INSIDE AND OUTSIDE THE STRUCTURE.

5 TYPICAL PIPE CONNECTION TO EXISTING STRUCTURE DETAIL
C4.4 NOT TO SCALE

HOTEL REDEVELOPMENT

1210 Brighton Avenue
Portland, Maine
Portland Hotels, Inc.
1200 Brighton Avenue
Portland, Maine 04102

**PRELIMINARY PLAN
ISSUED FOR PERMITTING - NOT FOR CONSTRUCTION**

Rev.	Date	Description	Drawn	Check
1	11/14/14	Submitted for Prelim. Level II Site Plan Application	SWC	WRW
2	11/18/14	Revised Cover Sheet and Zoning Summary	SWC	WRW
3	2/7/15	Revised Per City Staff Review Comments	SWC	WRW

Sheet Title:
SITE DETAILS

Job No.:	257	Sheet No.:	C4.4
Date:	Nov. 14, 2014		
Scale:	NTS		
Drawn:	SWC		
Checked:	WRW		