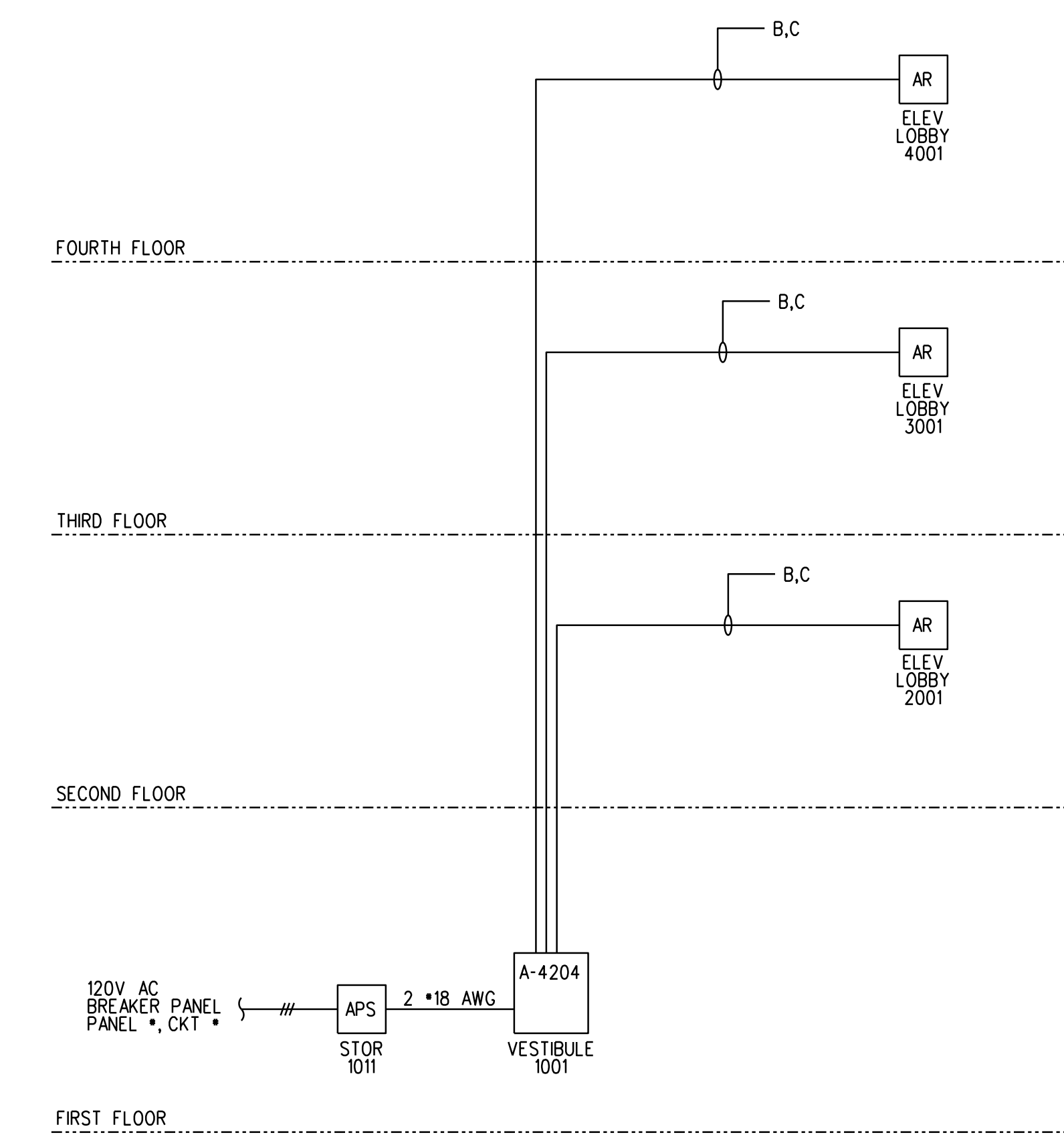


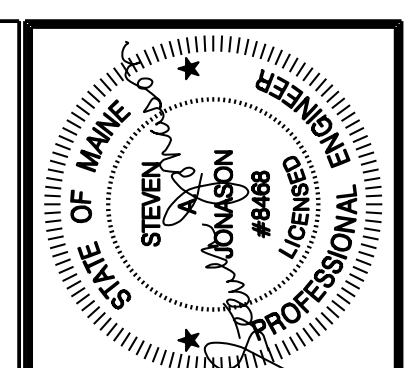
POWER ONE-LINE DIAGRAM
SCALE: NONE

AREA OF REFUGE SYSTEM SYMBOL LEGEND			
A-4204	AREA OF REFUGE ANNUNCIATOR (5-ZONE)	CORNELL A-4204	CORNELL BB-
APS	AREA OF REFUGE 24VDC POWER SUPPLY	CORNELL B-5243A	SUPPLIED WITH UNIT
AR	AREA OF REFUGE STATION	CORNELL 4201B/V	2-GANG BOX

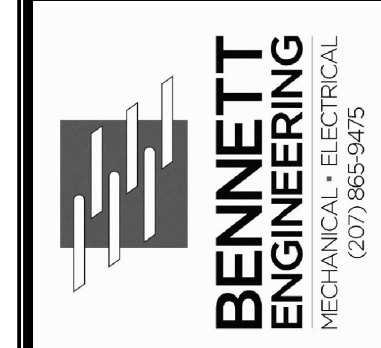
AREA OF REFUGE WIRE LIST			
B	RESCUE ASSISTANCE STATION - 22 AWG 4 CONDUCTOR NON-SHIELDED NON-PLENUM RATED: CMR ANIXTER SG2204N11 AREA - 0.0172 SQ. INCH	PLENUM RATED: CMP ANIXTER SG2204N22 AREA - 0.0160 SQ. INCH	
C	AUDIO RESCUE ASSISTANCE STATION - 22 AWG 2 CONDUCTOR SHIELDED NON-PLENUM RATED: CMR ANIXTER SG2202S41 AREA - 0.0255 SQ. INCH	PLENUM RATED: CMP ANIXTER SG2202S22 AREA - 0.0120 SQ. INCH	
CONDUIT SIZE	CONDUCTOR AREA	CONDUIT SIZE	CONDUCTOR AREA
1/2"	0.12 SQ INCH X	1-1/4"	0.60 SQ INCH X
3/4"	0.21 SQ INCH X	1-1/2"	0.82 SQ INCH X
1"	0.34 SQ INCH X	2"	1.34 SQ INCH X
X 40% FILL 2005 N.E.C.			
CONTACT YOUR LOCAL SIMPLEXGRINNELL OFFICE FOR ANY CABLE SUBSTITUTIONS			



RISER DIAGRAM
NOT TO SCALE



Prepared For:
PORTLAND HOTEL, INC



Consultant:

Architect:
48 Union Wharf Portland, Maine 04101
(207) 772-6023 ARCHTYPE@ARCHTYPEPA.COM

Project:
HAMPTON INN
Address:
City, State

Revisions:
ISSUED FOR PERMIT
PROGRESS PRINT
NOT FOR CONSTRUCTION

Date: 02-10-2016
Scale: 1/2" = 1'-0"
ONE-LINE DIAGRAM/AREA OF REFUGE RISER

E4.02