

Prepared For:  
**PORTLAND  
HOTEL, INC**  
Address  
City, State

Consultant:

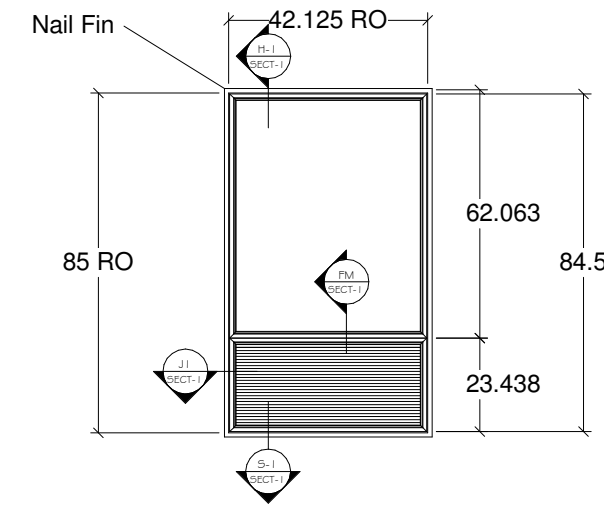
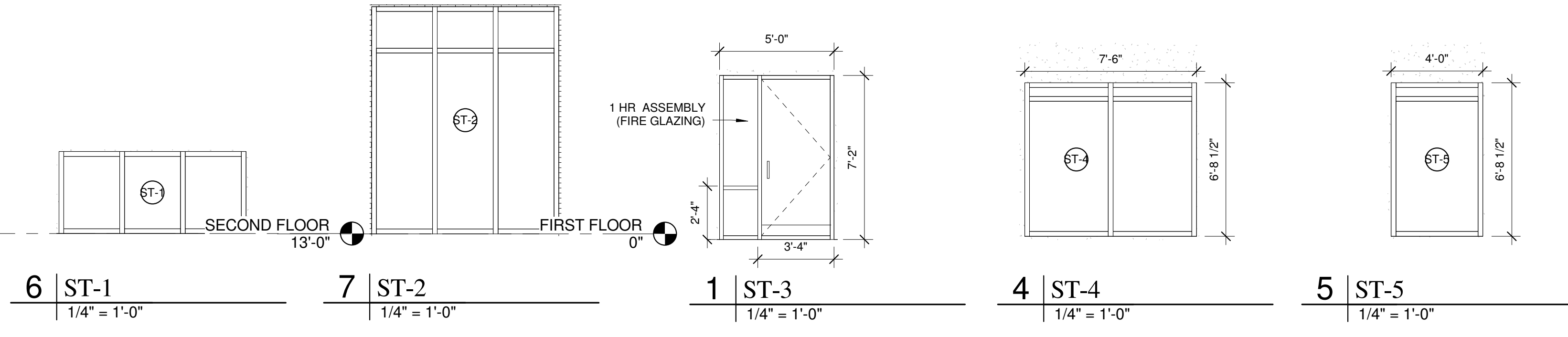
Architect:  
**ARCHETYPE  
architects**  
48 Union Wharf Portland, Maine 04101  
(207) 772-6022 ARCHETYPE@ARCHETYPEPA.COM

Project:  
**HAMPTON INN &  
SUITES**  
1200 Brighton Ave  
Portland, ME

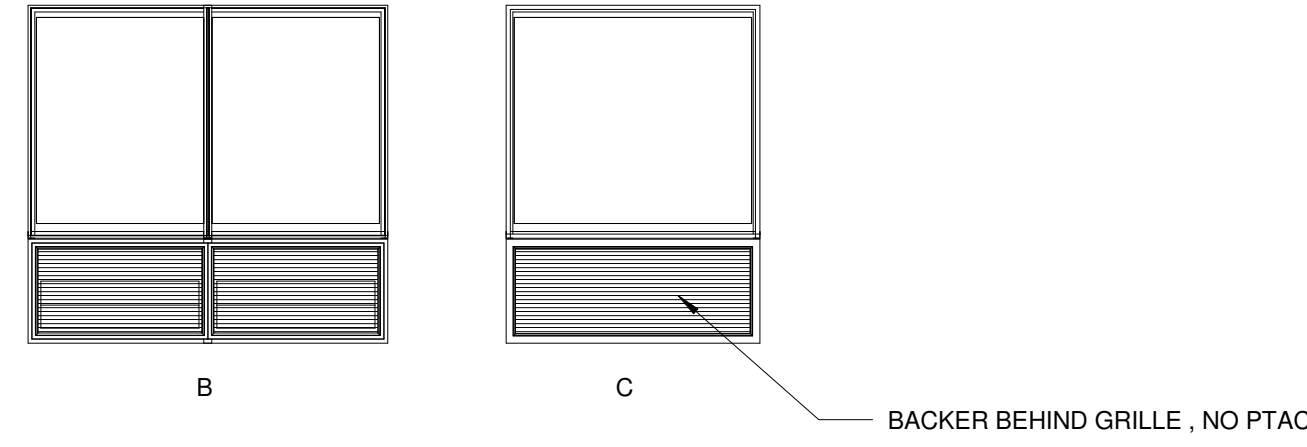
Revisions:  
2 TO FEB 2016  
SUB TO CITY

Date:  
12-23-2015  
Scale:  
1/4" = 1'-0"  
**WINDOW SCHEDULE**

**A8.03**



TYPE A1-  
BACKER BEHIND GRILLE TO  
REPLACE PTAC



WINDOWS B & C  
1/4" = 1'-0"

2 | WINDOW TYPE A  
1/4" = 1'-0"