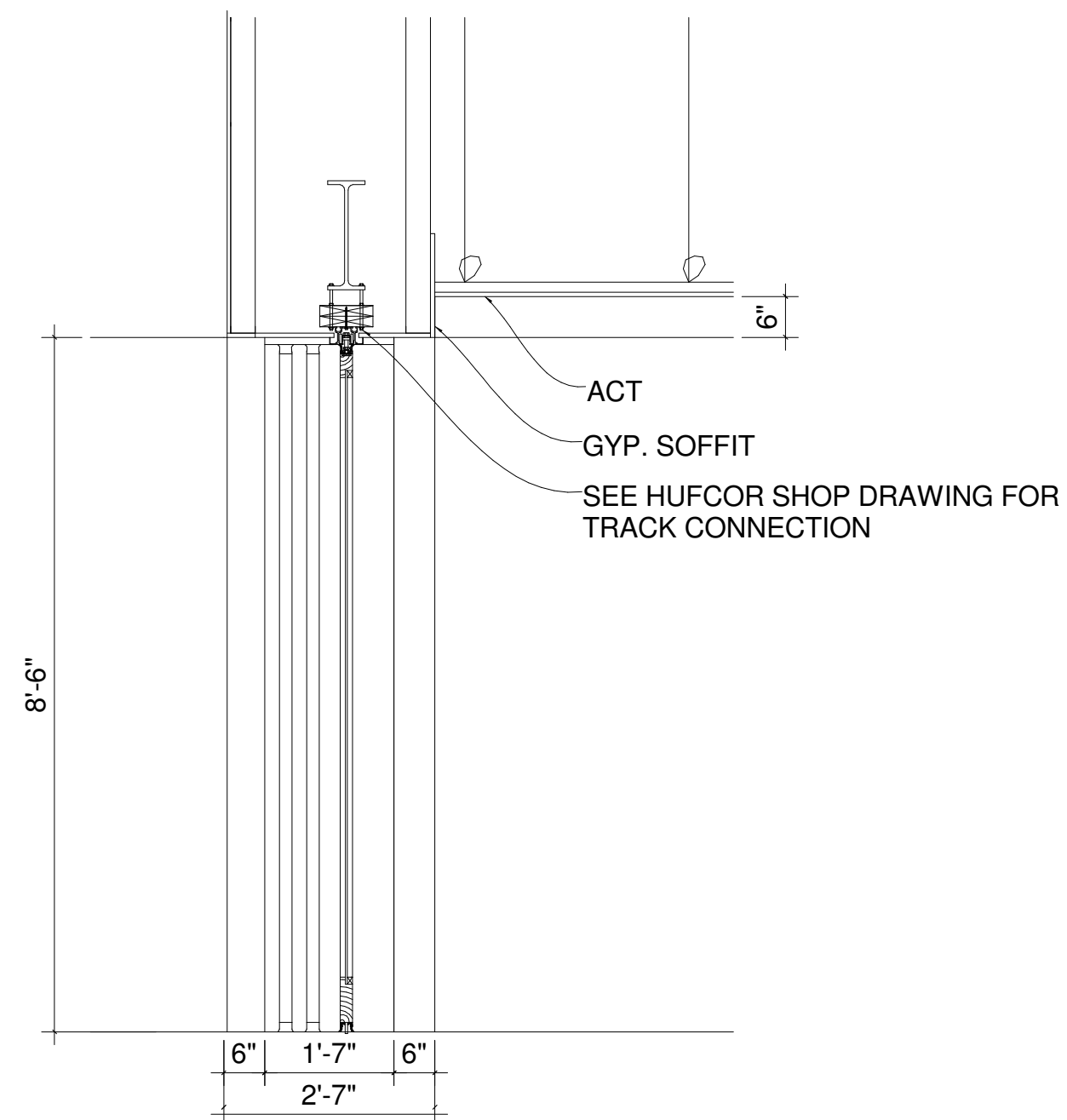
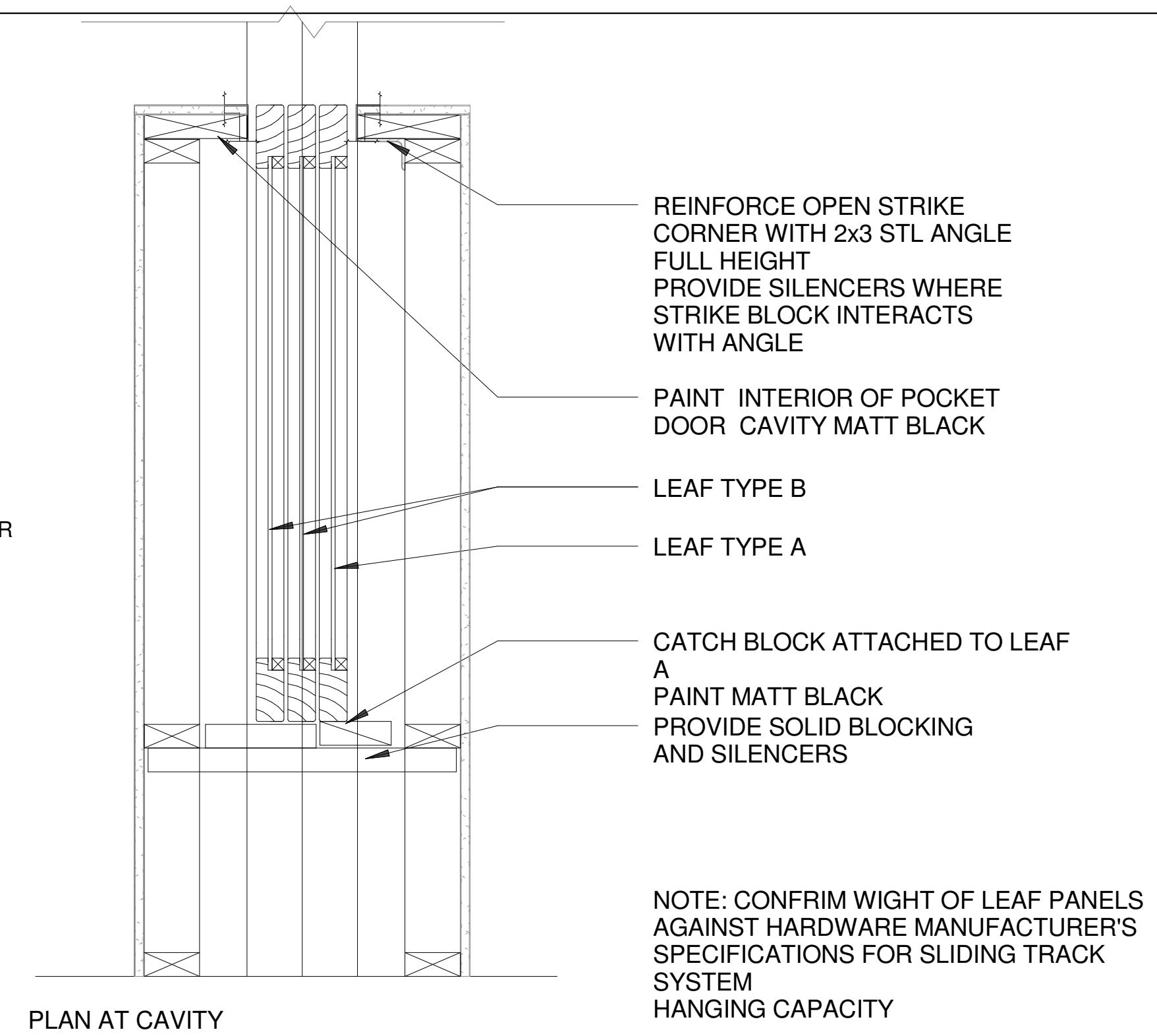


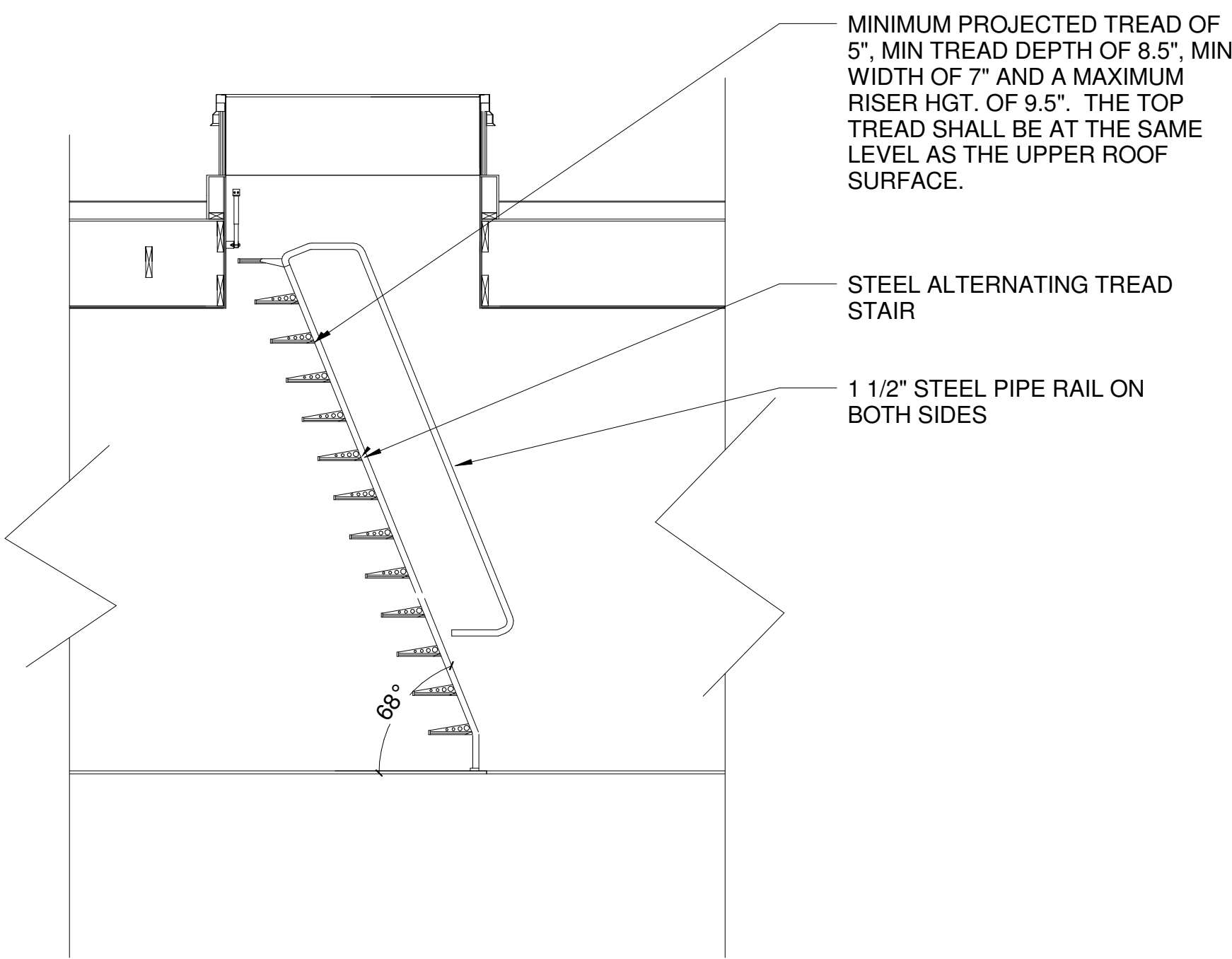
1 FIREPLACE WALL
1/2" = 1'-0"



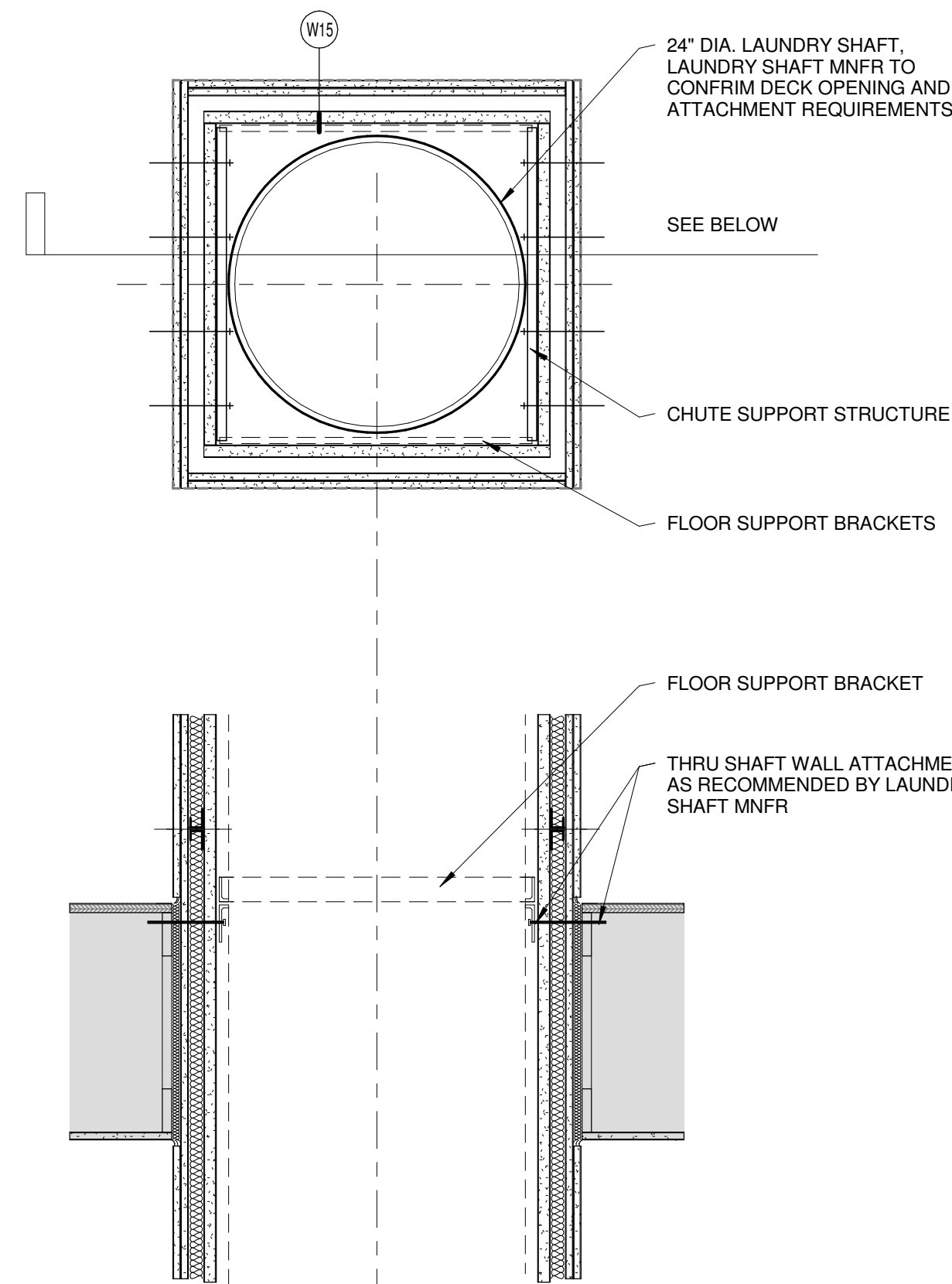
2 SLIDING DOOR SECTION
1/2" = 1'-0"



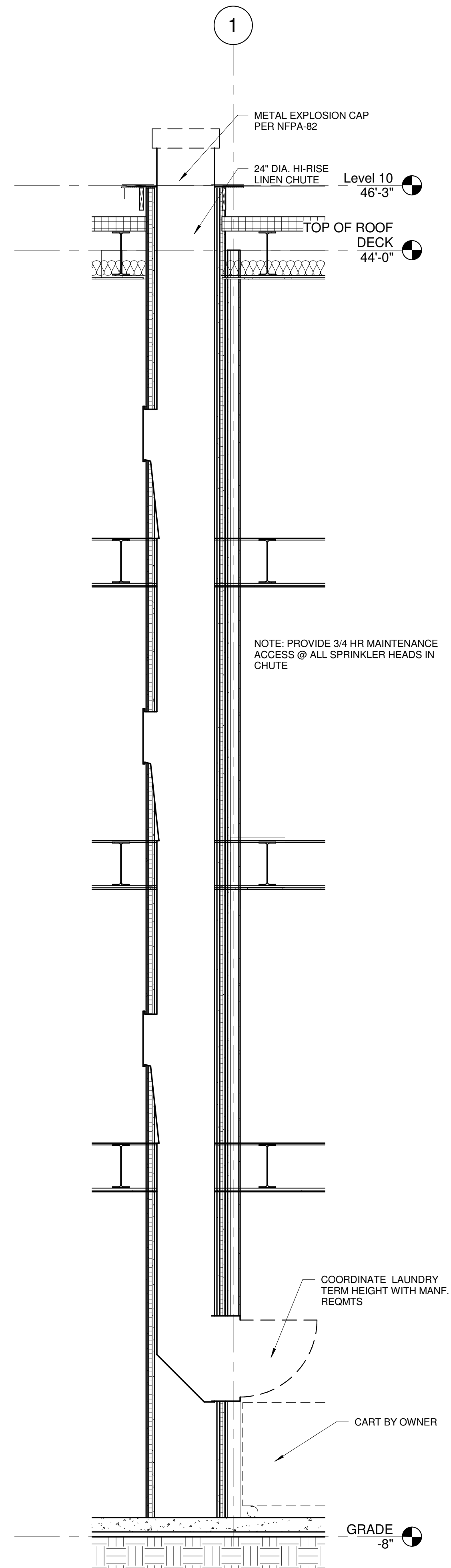
3 SLIDING DOOR PLAN
1 1/2" = 1'-0"



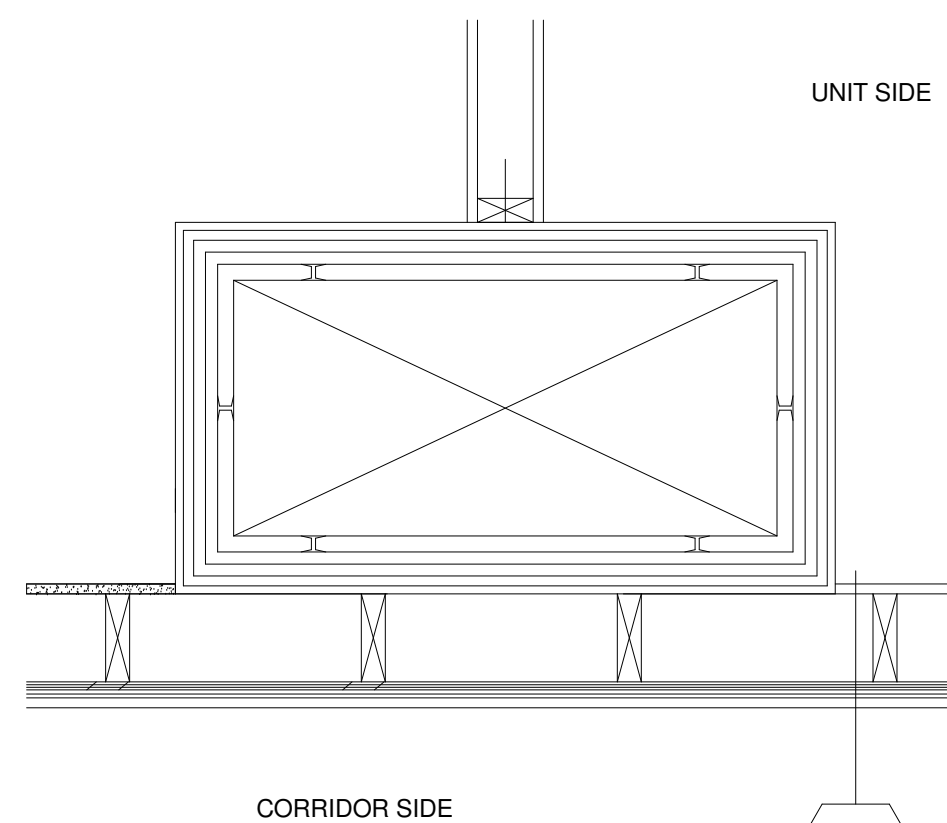
7 ROOF HATCH
3/8" = 1'-0"



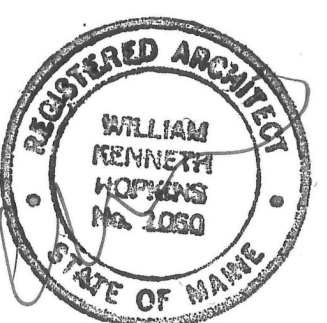
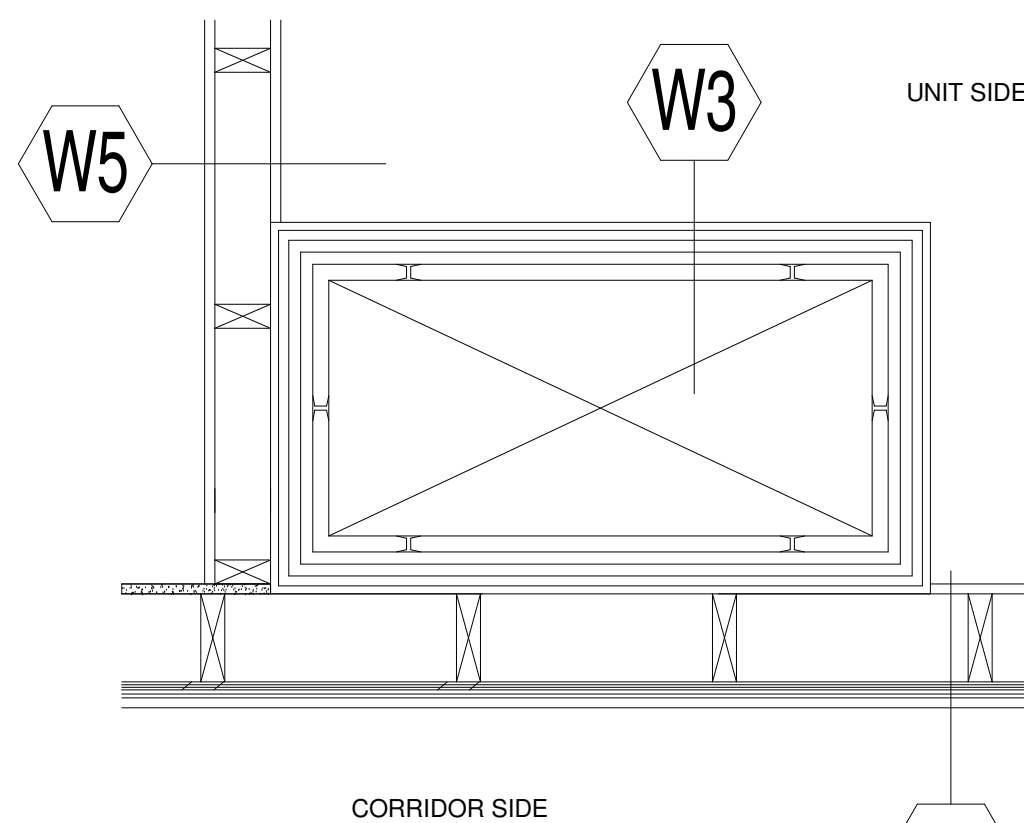
6 LAUNDRY SHAFT SECTION
1" = 1'-0"



4 LAUNDRY CHUTE SECTION
3/8" = 1'-0"



5 SHAFT CONSTRUCTION
1" = 1'-0"



Prepared For:
PORTLAND HOTEL, INC

Consultant:

ARCHETYPE architects
48 Union Wharf Portland, Maine 04101
(207) 772-6022 ARCHETYPE@ARCHETYPEPA.COM

Architect:

HAMPTON INN & SUITES
1200 Brighton Ave
Portland, ME

Revisions:

2	10 FEB 2016	SUB TO CITY
---	-------------	-------------

Scale:

As indicated

Date:

12-23-2015

INTERIOR DETAILS

A6.06