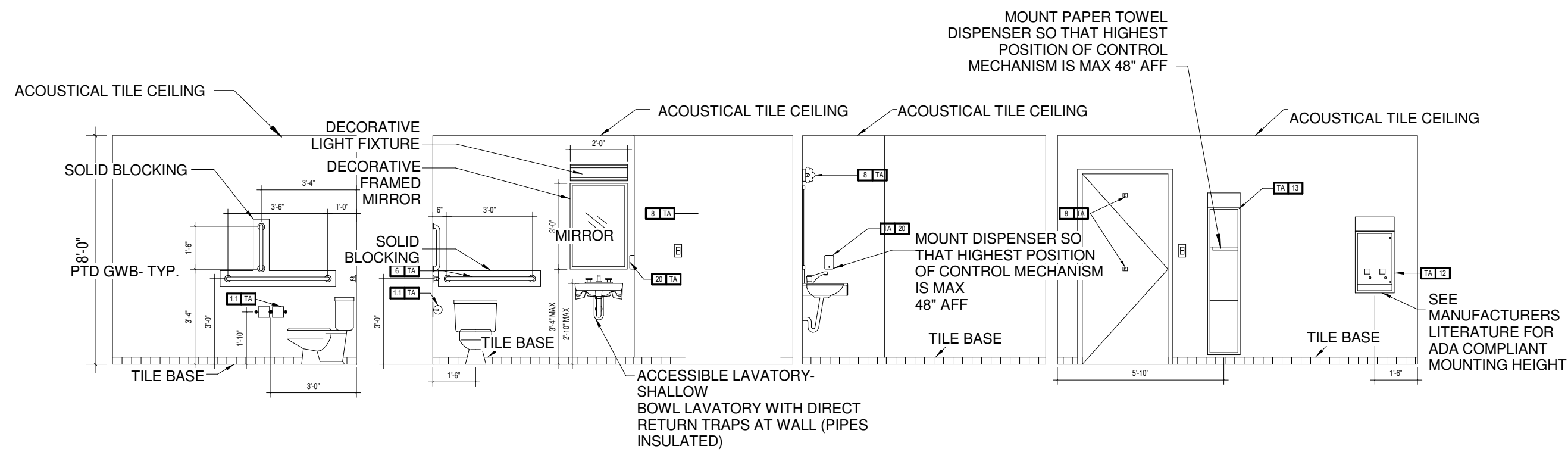
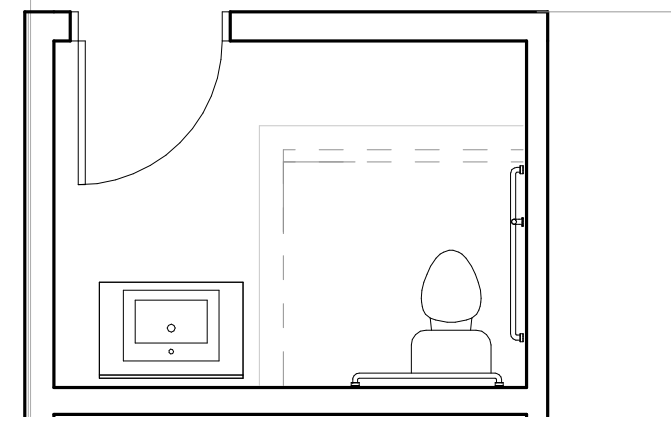
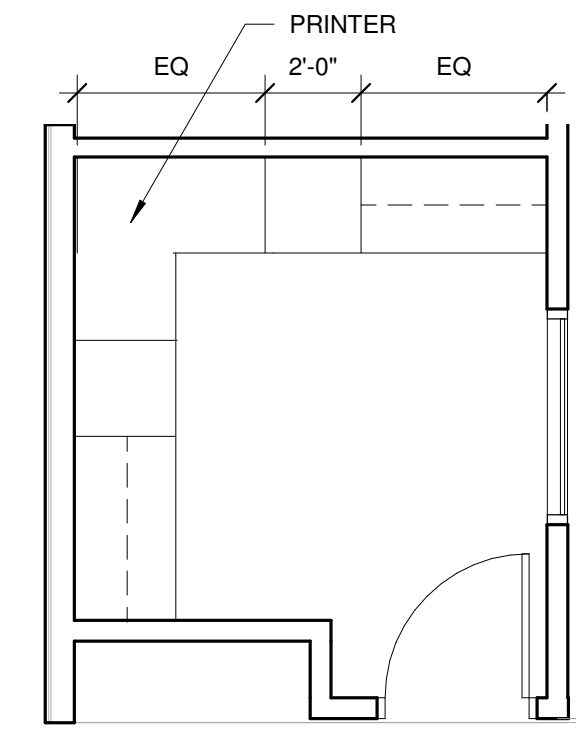


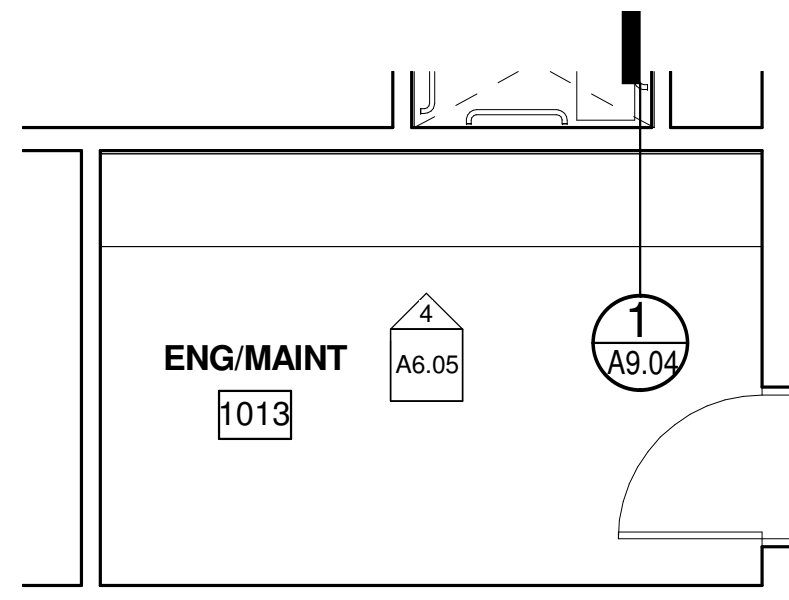
**1** FIRST FLOOR - Callout 1  
1/4" = 1'-0"



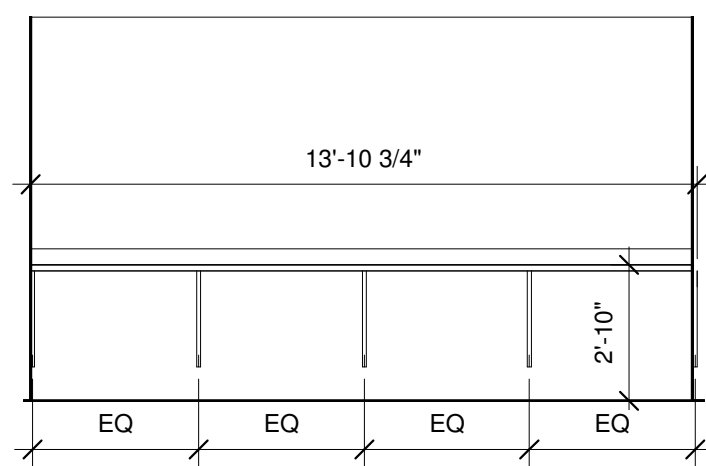
**2** PUBLIC BATHROOM ELEVATIONS  
1/4" = 1'-0"



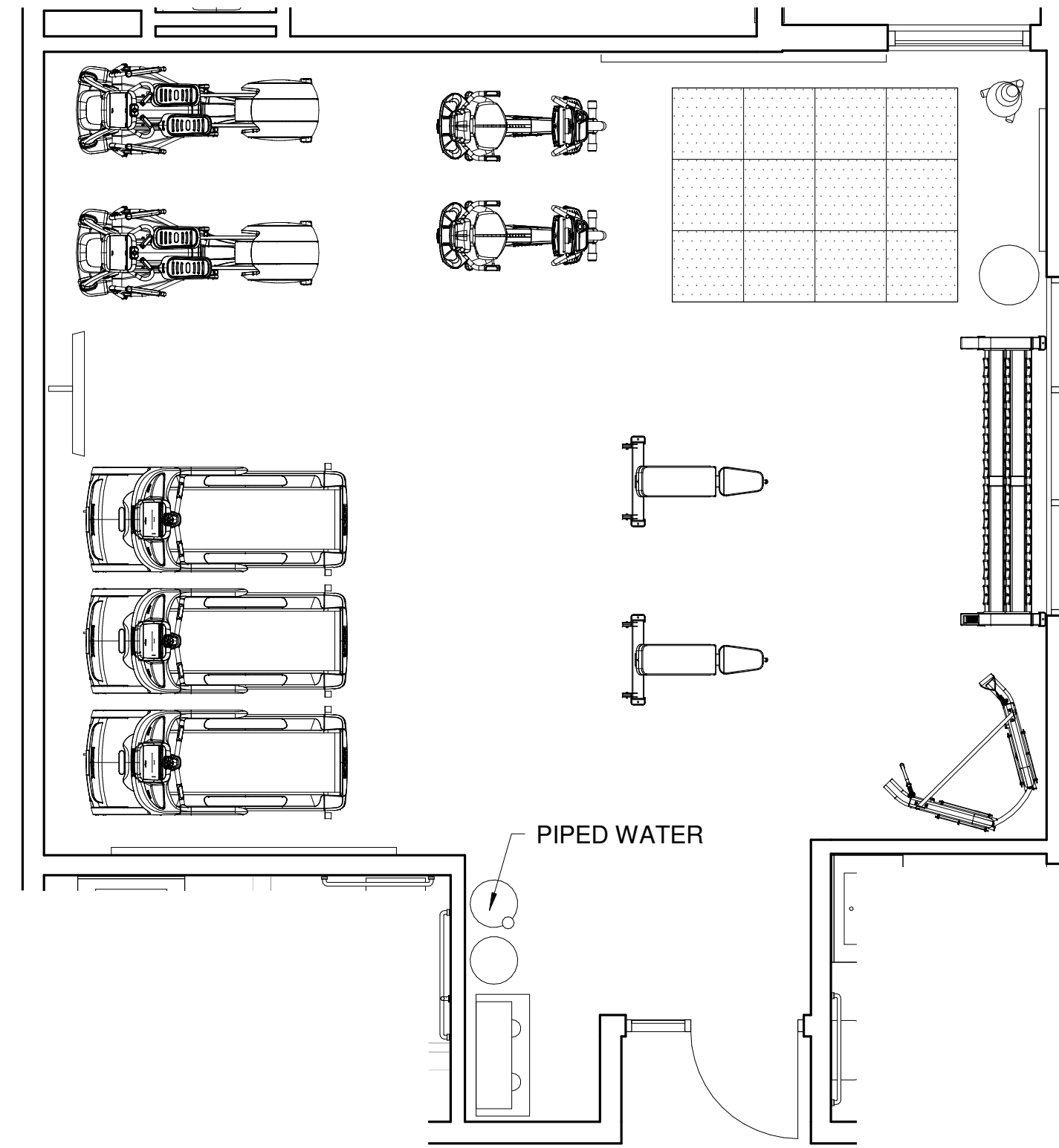
**6** ENLARGED BUSINESS CTR  
1/4" = 1'-0"



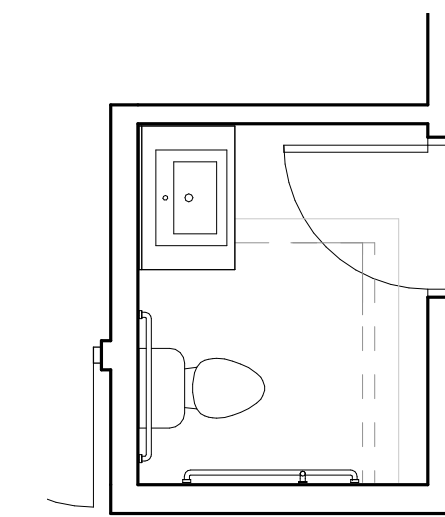
**3** ENLARGED ENG/MAINT  
1/4" = 1'-0"



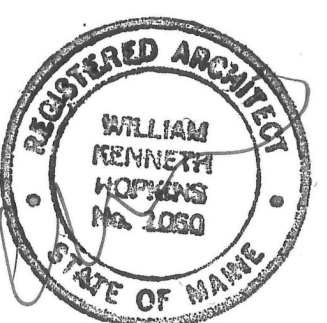
**4** ENG/MAINT ELEVATION  
1/4" = 1'-0"



**5** ENLARGED FITNESS CENTER  
1/4" = 1'-0"



**8** FIRST FLOOR - Callout 3  
1/4" = 1'-0"



Prepared For:  
**PORTLAND HOTEL, INC**

Consultant:

Architect:  
**ARCHETYPE architects**  
48 Union Wharf Portland, Maine 04101  
(207) 772-6022 ARCHETYPE@ARCHETYPEPA.COM

Project:  
**HAMPTON INN & SUITES**  
1200 Brighton Ave  
Portland, ME

Revisions:  
2 10 FEB 2016  
SUB TO CITY

Date: 12-23-2015  
Scale: 1/4" = 1'-0"  
**ENLARGED BOH PLANS & ELEVS**

**A6.05**