

Prepared For:  
**PORTLAND HOTEL, INC**

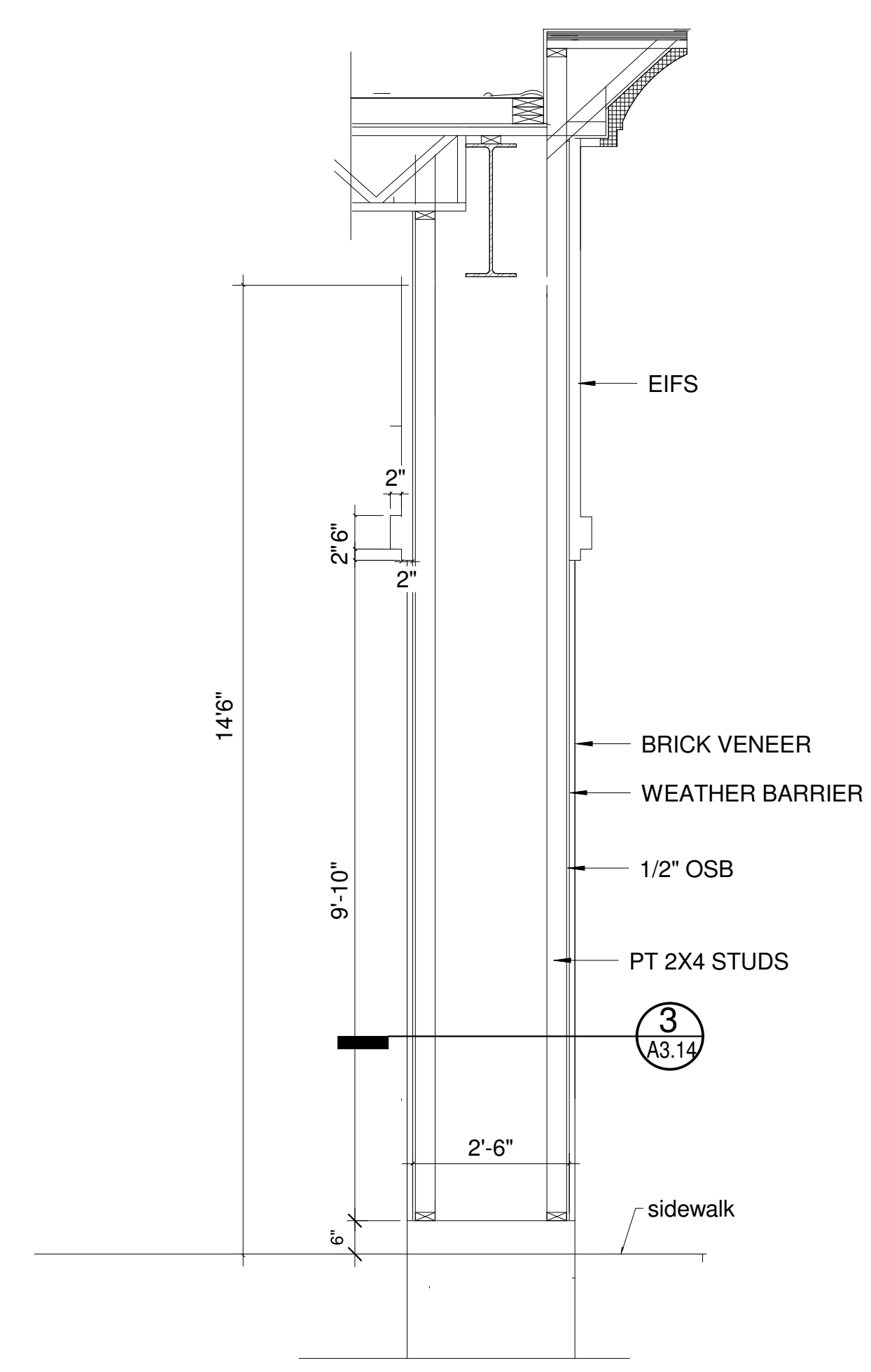
Consultant:  
**ARCHETYPE architects**  
48 Union Wharf Portland, Maine 04101  
(207) 772-6022 ARCHETYPE@ARCHETYPEPA.COM

Project:  
**HAMPTON INN & SUITES**  
1200 Brighton Ave  
Portland, ME

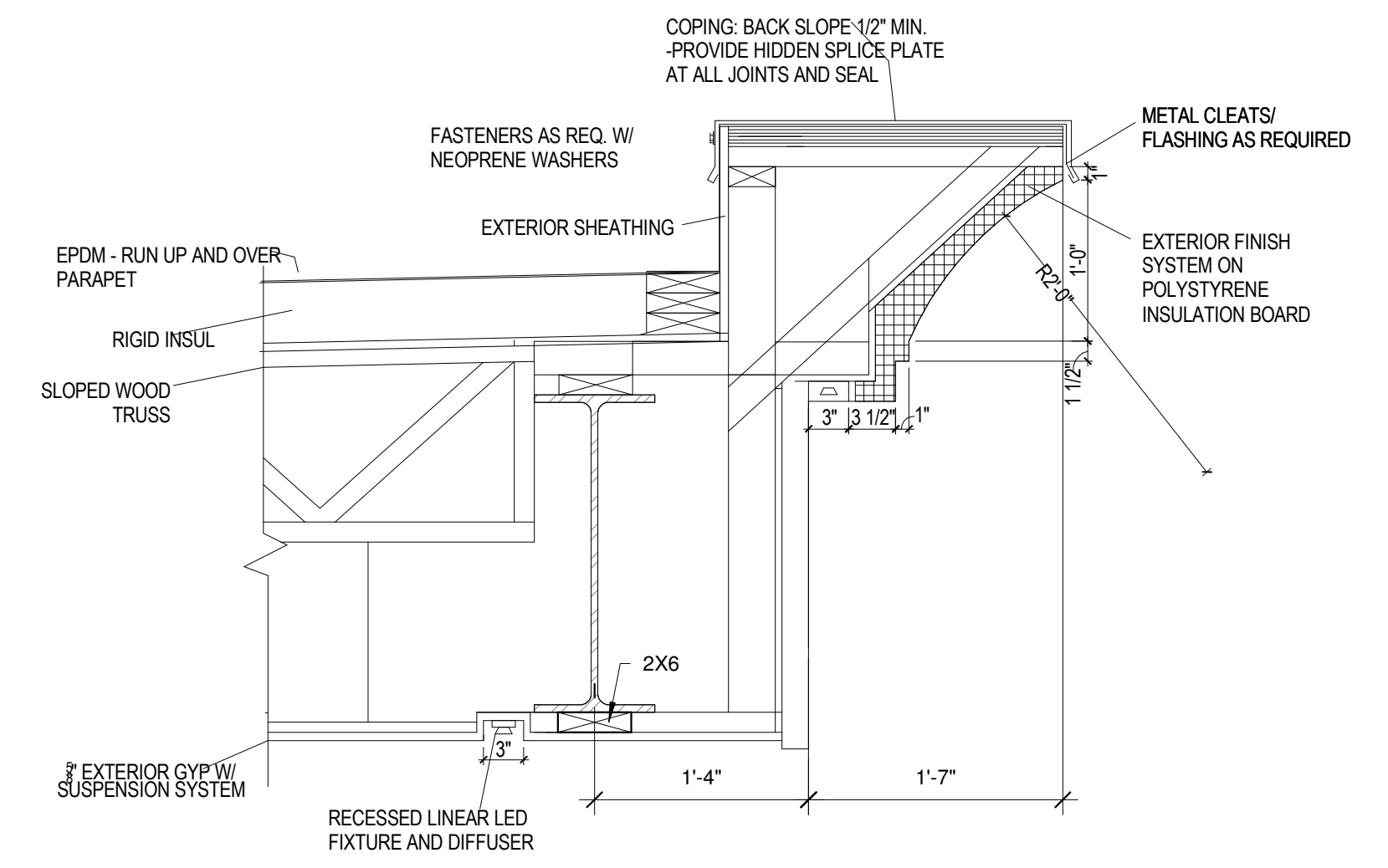
Revisions:  
2 10 FEB 2016 SUB TO CITY

Date: 12-23-2015  
Scale: As indicated  
**PORTE COCHERE PLAN & DETAILS**

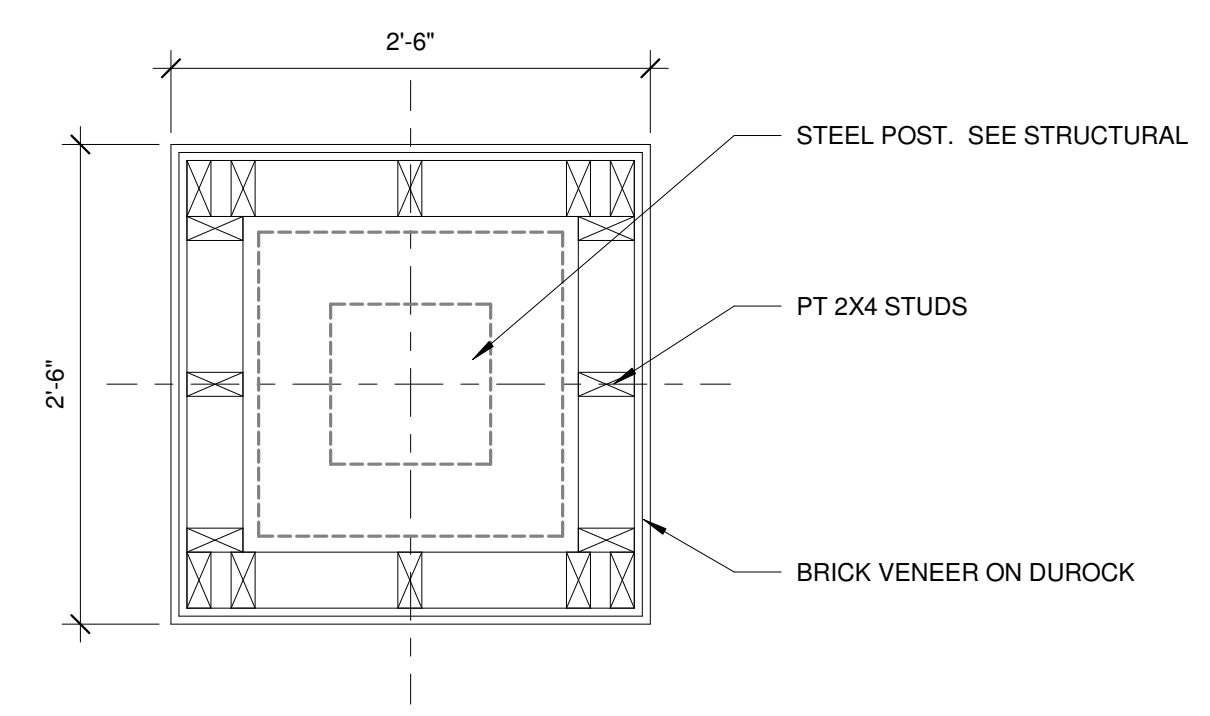
**A3.14**



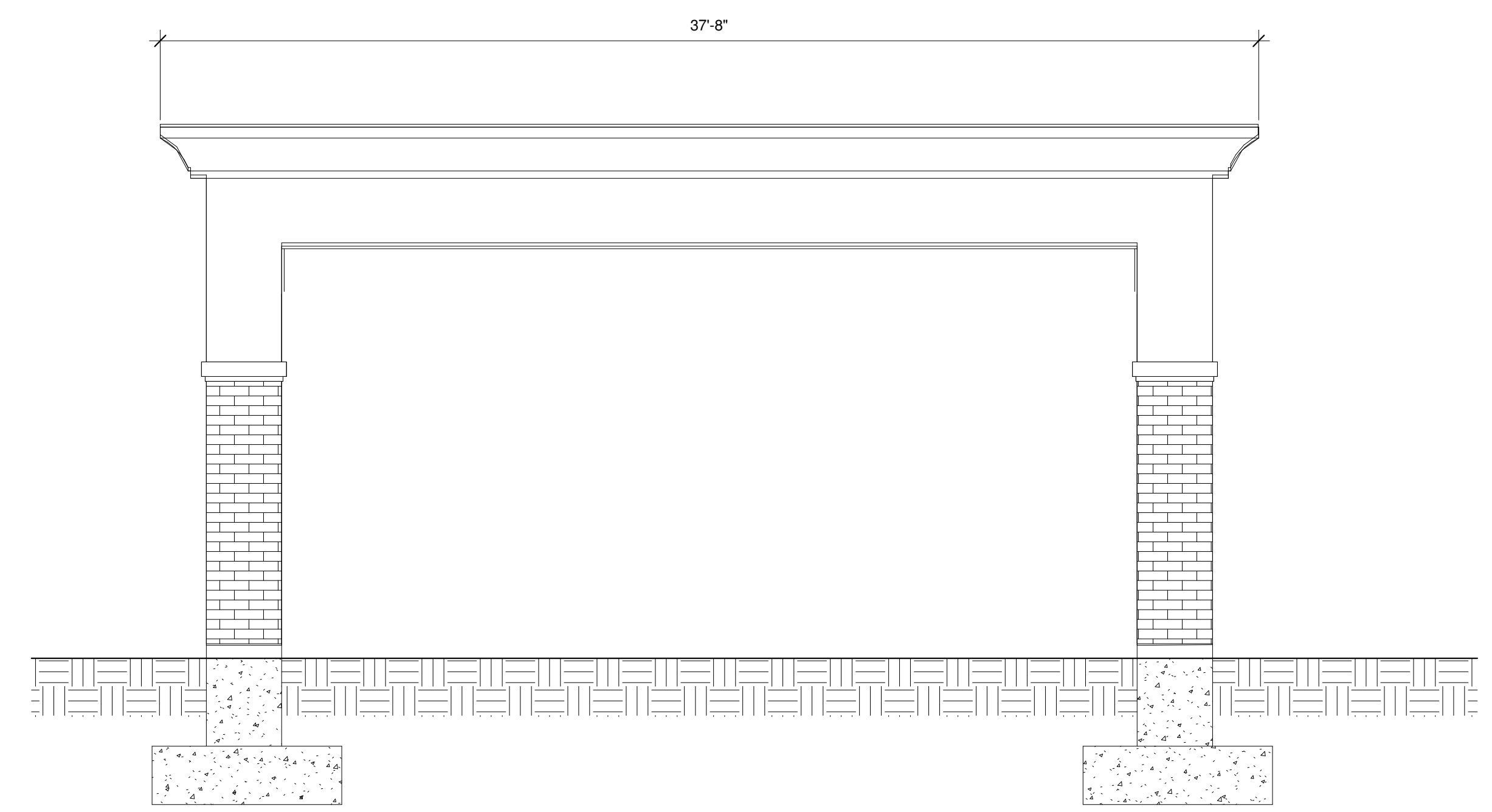
**1 | PORTE COCHERE COLUMN**  
1/2" = 1'-0"



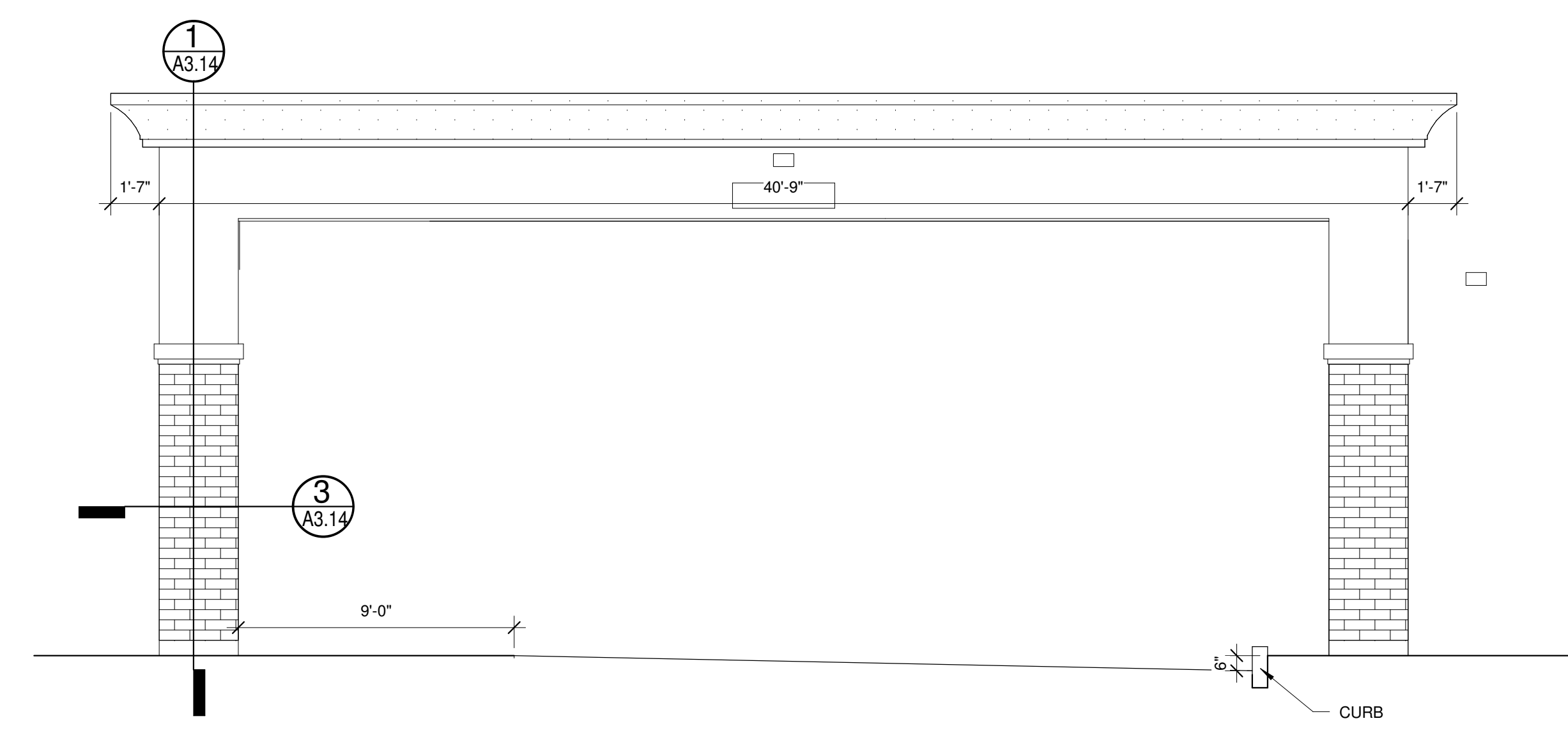
**2 | PORTE COCHERE CORNICE**  
1" = 1'-0"



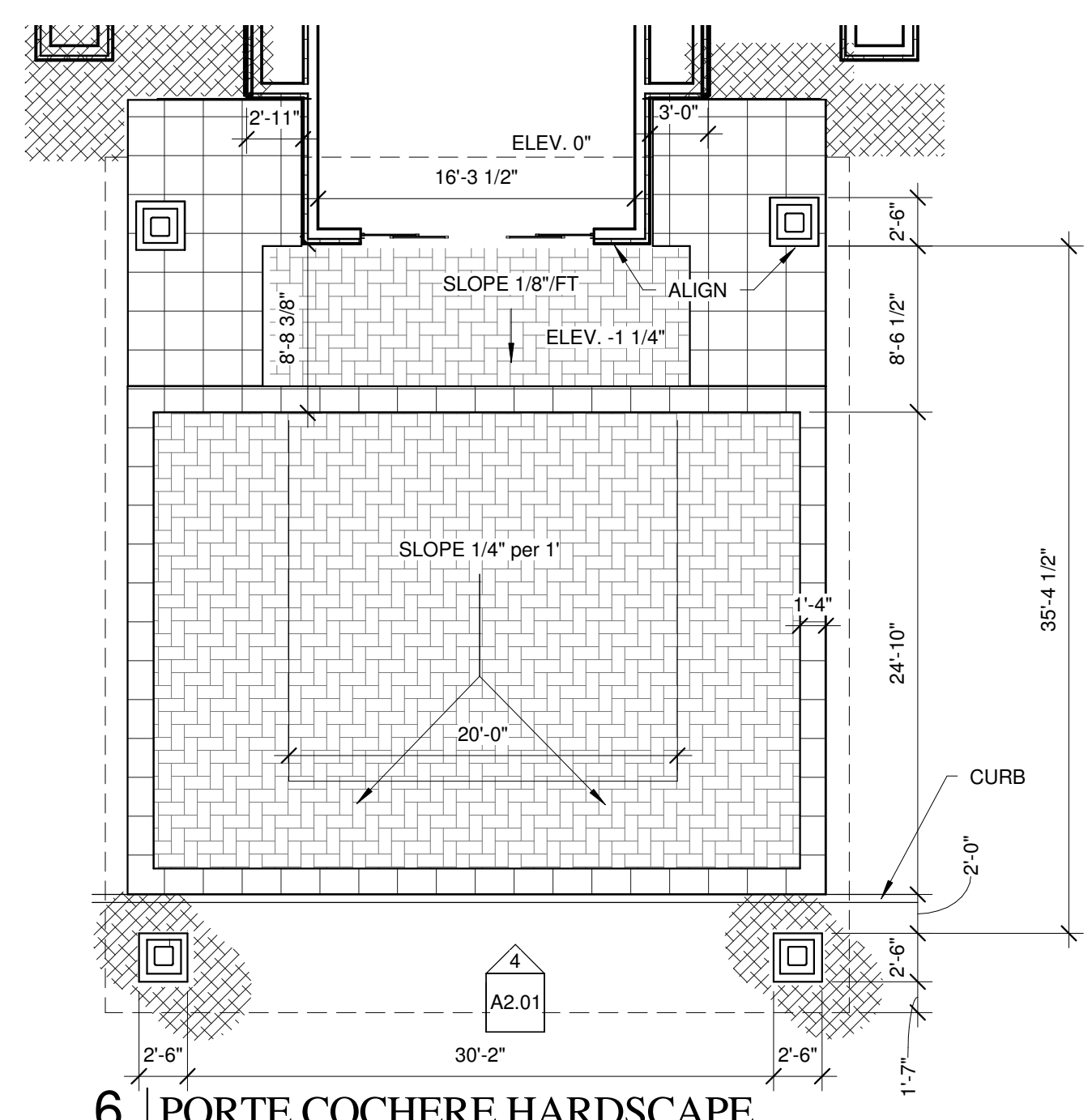
**3 | PORTE COCHERE TYP COLUMN**  
1" = 1'-0"



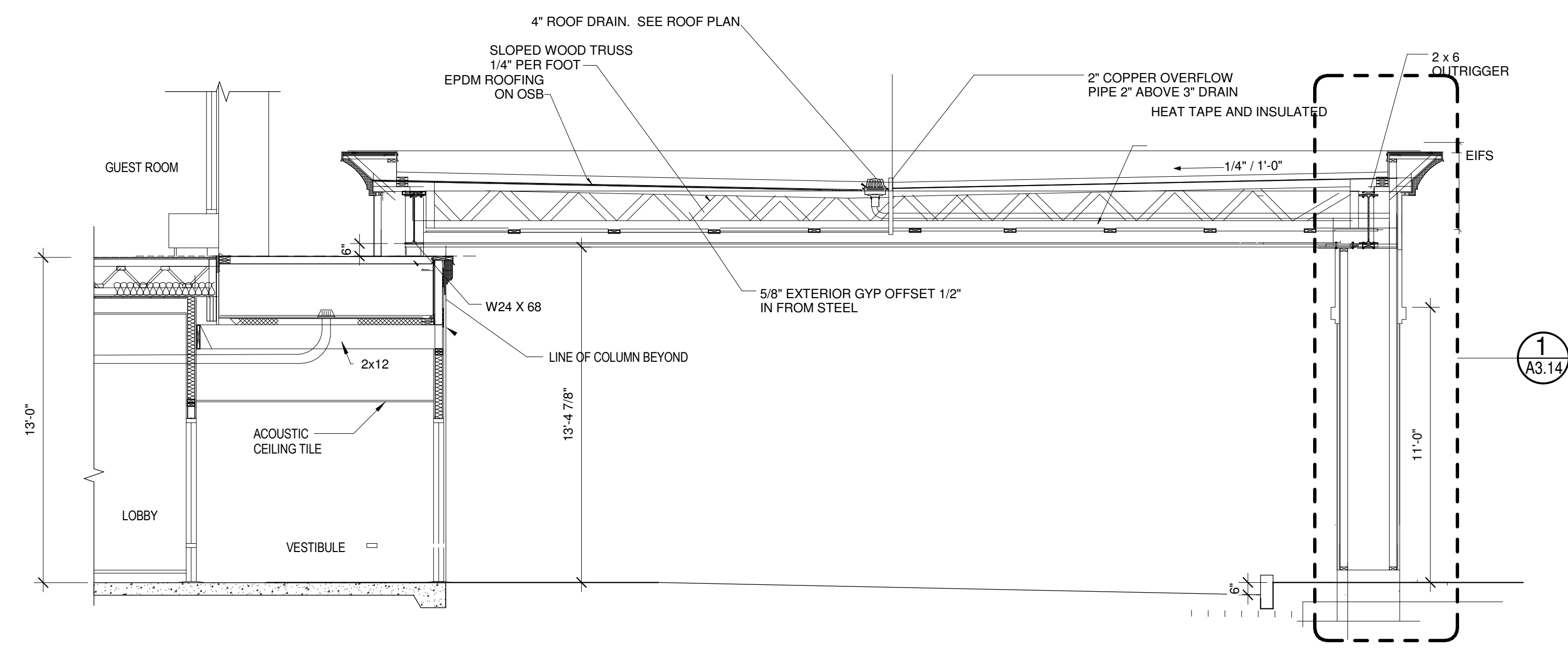
**5 | PORTE COCHERE FRONT ELEVATION Copy 1**  
1/4" = 1'-0"



**4 | PORTE COCHERE SIDE ELEV**  
1/4" = 1'-0"



**6 | PORTE COCHERE HARDSCAPE**  
1/8" = 1'-0"



**7 | PORTE COCHERE SECTION**  
1/4" = 1'-0"