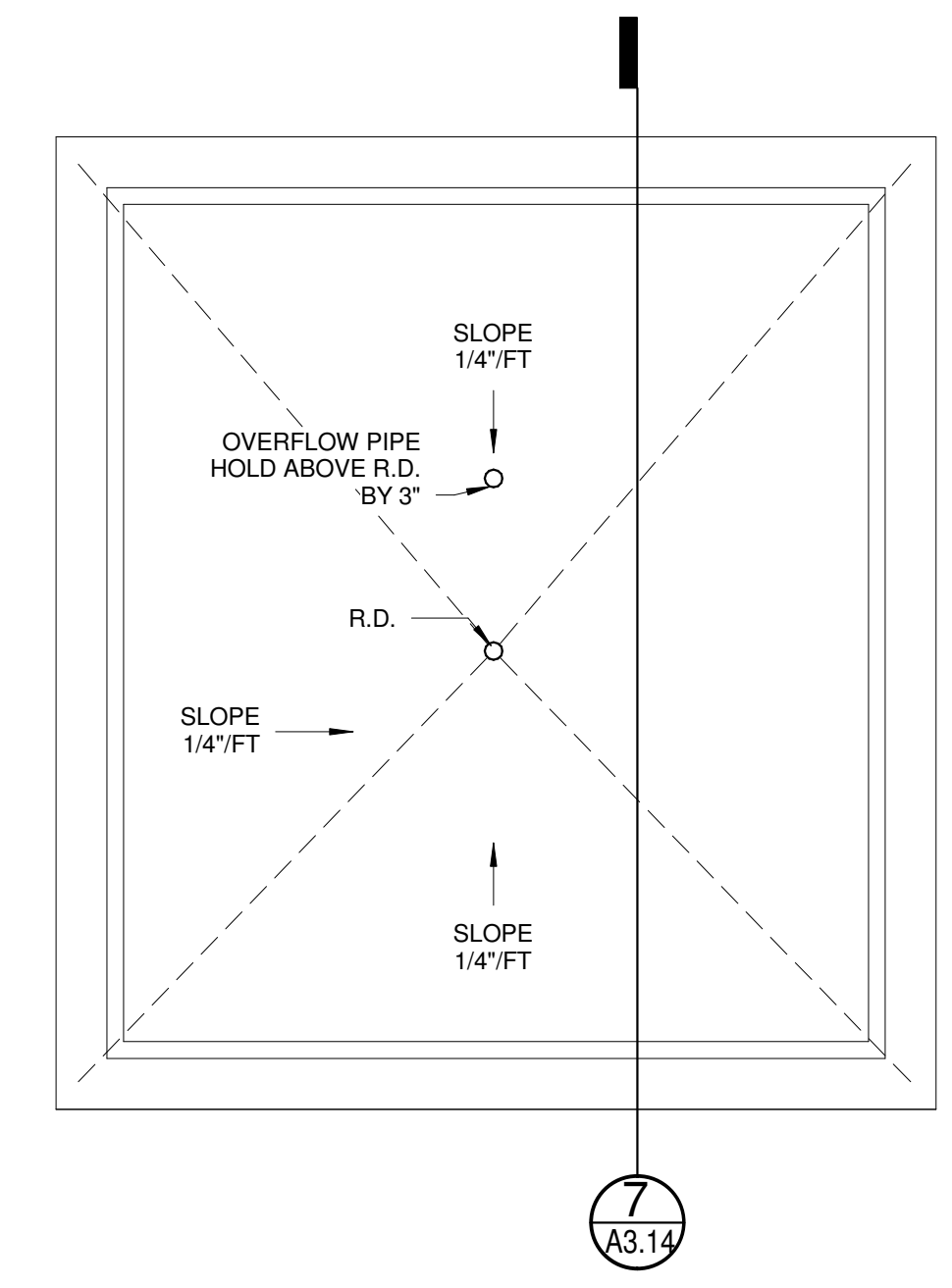
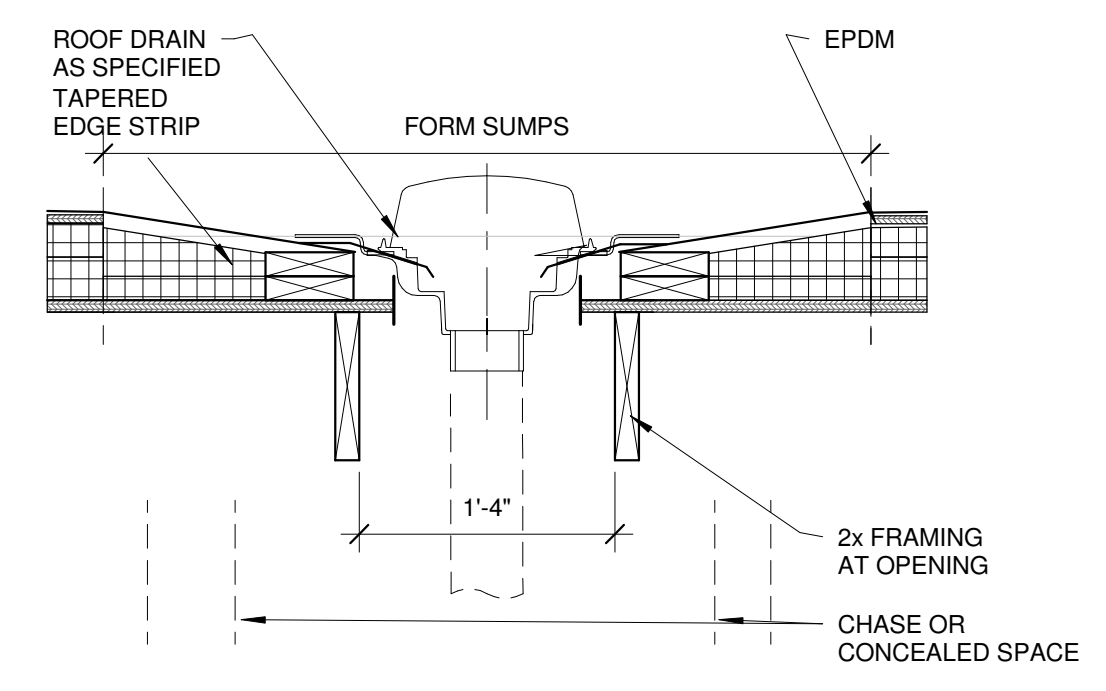


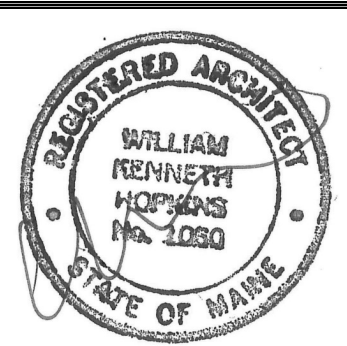
1 | TOP OF ROOF DECK
1/16" = 1'-0"



2 | PORTE COCHERE ROOF PLAN
1/8" = 1'-0"



3 | ROOF DRAIN - SLOPED
1" = 1'-0"



Prepared For:
PORTLAND HOTEL, INC
Address
City, State

Consultant:
ARCHETYPE architects
48 Union Wharf Portland, Maine 04101
(207) 772-6022 ARCHETYPE@ARCHETYPEPA.COM

Project:
HAMPTON INN & SUITES
1200 Brighton Ave
Portland, ME

Revisions:
2 10 FEB 2016
SUB TO CITY

Date: 12-23-2015
Scale: As indicated
ROOF PLAN

A1.05