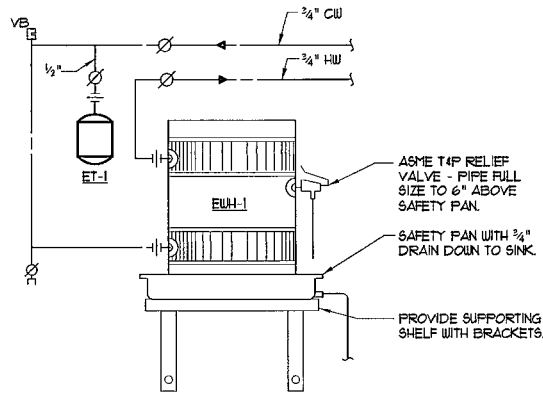


MECHANICAL & PLUMBING LEGEND

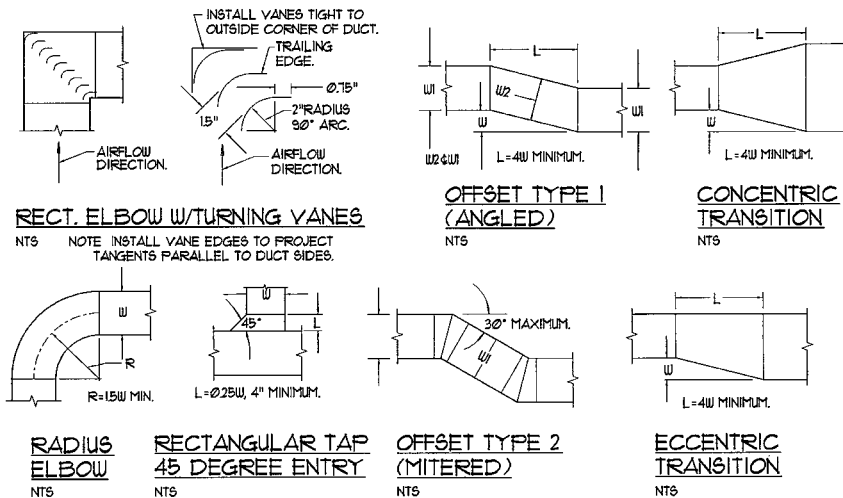
NOTE - USE SYMBOLS AND ABBREVIATIONS AS APPLICABLE FOR THIS MECHANICAL DRAWING SET. SOME SYMBOLS AND ABBREVIATIONS IN THIS LEGEND MAY NOT APPLY.

SYMBOL	DESCRIPTION	ABBREVIATION	DESCRIPTION
---	SANITARY PIPING BELOW FLOOR (SAN)	CO	CLEANOUT
---	SANITARY VENT PIPING	CW	COLD WATER
---	COLD WATER PIPING (CW)	DB	DRY BULB
---	HOT WATER PIPING (HW)	DB RE	DECIBELS RELATIVE TO
---	PIPE CAP	DEG F	DEGREES FAHRENHEIT
---	DIRECTION OF FLUID FLOW	DIA	DIAMETER
---	ELBOW UP	DIW	DOWN IN WALL
---	ELBOW DOWN	DN	DOWN
---	PIPE TEE UP	EA	EXHAUST AIR
---	PIPE TEE DOWN	EAT	ENTERING AIR TEMPERATURE
---		EDB	ENTERING DRY BULB
---		EER	ENERGY EFFICIENCY RATIO
---		EF*	EXHAUST FAN TAG
---		EFF	EFFICIENCY
---		ESP	EXTERNAL STATIC PRESSURE
---		ET*	EXPANSION TANK TAG
---		EUB	ENTERING WET BULB
---		EWH*	ELECTRIC WATER HEATER TAG
---		EUT	ENTERING WATER TEMPERATURE
---		EXG	EXISTING
---		EXH	EXHAUST
---		FCO	FLOOR CLEANOUT
---		FD	FIRE DAMPER
---		FLA	FULL LOAD AMPS
---		FFM	FEET PER MINUTE
---		FT	FEET
---		GA	GAGE
---		GAL	GALLONS
---		GFH	GALLONS PER HOUR
---		HP	HORSEPOWER
---		HW	HOT WATER
---		IN	INCHES
---		LAT	LEAVING AIR TEMPERATURE
---		LB	POUNDS
---		LWT	LEAVING WATER TEMPERATURE
---		MAX	MAXIMUM
---		MBH	THOUSANDS OF BTU PER HOUR
---		MC	MINIMUM CIRCUIT AMPACITY
---		MIN	MINIMUM
---		NC	NOISE CRITERION
---		NIC	NOT IN CONTRACT
---		NTS	NOT TO SCALE
---		OA	OUTSIDE AIR
---		OPB	OPPOSED BLADE DAMPER
---		P*	PLUMBING FIXTURE TAG
---		PFENET	PENETRATION
---		PSIG	POUNDS PER SQUARE INCH GAGE
---		PVC	POLYVINYL CHLORIDE (PIPE)
---		RA	RETURN AIR
---		RD	ROOF DRAIN
---		RLA	RUNNING LOAD AMPS
---		RPM	REVOLUTIONS PER MINUTE
---		RV	RELIEF VALVE
---		RUL	RAINWATER LEADER
---		SA	SUFFLY AIR
---		SAN	SANITARY (DRAIN & WASTE)
---		SEER	SEASONAL ENERGY EFFICIENCY RATIO
---		SP	STATIC PRESSURE
---		SQFT	SQUARE FEET
---		TEMP.	TEMPERATURE
---		TSP	TOTAL STATIC PRESSURE
---		TYP	TYPICAL
---		VB	VACUUM BREAKER
---		VTR	VENT THRU ROOF
---		V/PH/Hz	VOLTS/PHASES/HERTZ
---		WB	WET BULB
---		WCO	WALL CLEANOUT
---		WG	WATER GAGE
---		WTD	WATER TEMPERATURE DROP
---		W	WITH
ABBREVIATION	DESCRIPTION		
AAV	AUTOMATIC AIR VENT		
AD	ACCESS DOOR		
AF	ABOVE FINISHED FLOOR		
AHU*	AIR HANDLING UNIT TAG		
AMPS	AMPERES		
AP	ACCESS PANEL		
APD	AIR PRESSURE DROP		
ATC	AUTOMATIC TEMPERATURE CONTROL		
BHP	BRAKE HORSEPOWER		
BTUH	BRITISH THERMAL UNITS PER HOUR		
CBD	COUNTER BALANCED DAMPER		
CFM	CUBIC FEET PER MINUTE		



ELECTRIC WATER HEATER DETAIL

NTS



LOW PRESSURE DUCT CONSTRUCTION DETAILS - TYPICAL

NTS

SPLIT-SYSTEM AIR CONDITIONER PERFORMANCE SCHEDULE

TAG	TOTAL COOLING (MBH)	AIRFLOW (CFM)	MOISTURE REMOVAL (PINTS/HR)	COND. DRAIN (IN)	SEER (BTUH/WATT)	SOUND RATING (DB)	WEIGHT (LBS)	REFRIGERANT PIPE SIZE (IN)		ELECTRICAL REQUIREMENTS			BASIS OF DESIGN - DAIKIN		
								LIQUID	GAS	MCA	MAX FUSE	V/PH/Hz	SERVICE	ARRANGEMENT	MODEL
SAC-1	12.0	286	3.2	3/4"	16.0	40	16.6	1/4	3/8	-	-	208/1/60	CONFERENCE	WALL	FTX812DVJU

PROVIDE W/ WALL MOUNTED THERMOSTAT CONTROL

SPLIT-SYSTEM CONDENSING UNIT PERFORMANCE SCHEDULE

TAG	TOTAL COOLING (MBH)	REFRIGERANT	CONDENSER AIRFLOW (CFM)	MINIMUM AMBIENT TEMP (F)	FOOTPRINT DIMENSION (INCHES)	OPERATING WEIGHT (LBS)	ELECTRICAL REQUIREMENTS			BASIS OF DESIGN - DAIKIN			
							MCA	MAX FUSE	V/PH/Hz	COMP. STAGING	SOUND (BEL)	SERVICE	MODEL
SCU-1	12.0	R-410A	-	0"	36x2	71	7.9	15.0	208/1/60	-	49	SAC-1	RX812DVJU

FAN PERFORMANCE SCHEDULE

TAG	AIRFLOW (CFM)	T.S.P (INWG)	NOISE (SONES)	RPM	DRIVE	ELECTRICAL REQUIREMENTS			BASIS OF DESIGN - GREENHECK				
						HP	BHP	WATTS	AMPS	V/PH/Hz	SERVICE	ARRANGEMENT	MODEL
EF-1	200	0.5	6.6	1550	DIRECT	1/20	-	-	-	120/1/60	EXHAUSTS	UPBLAST	CUE-005-D

EXPANSION TANK PERFORMANCE SCHEDULE

TAG	TANK VOLUME (GAL)	ACCEPTANCE VOLUME (GAL)	MIN. REQ'D. ACCEPT. VOL. (GAL)	MAX. WORK'G. TEMPERATURE (DEG F)	MAX. WORK'G. PRESSURE (PSI)	WEIGHT (LBS)	BASIS OF DESIGN - AMTROL		
							MOUNTING	SERVICE	MODEL
ET-1	22	-	-	200	150	25	INLINE	EWH-1	ST-5

ELECTRIC CABINET UNIT HEATER PERFORMANCE SCHEDULE

TAG	OUTPUT (MBH)	AIRFLOW (CFM)	THROW	ELECTRICAL REQUIREMENTS			BASIS OF DESIGN - BERKO		
				AMPS	WATTS	V/PH/Hz	SERVICE	ARRANGEMENT	MODEL
EH-1	16.3	-	-	20.0	4800	208/1/60	VESTIBULE	RECESSED	FRA-4824
EH-2	12.2	-	-	17.3	3600	208/1/60	TELLER	SURFACE	FRA-4824
EH-3	12.2	-	-	17.3	3600	208/1/60	CASH/WORK	RECESSED	FRA-4824

AIR DEVICE PERFORMANCE SCHEDULE

TAG	PANEL SIZE (IN)	NECK SIZE (IN)	AIRFLOW (CFM)	SP. LOSS (INWG)	THROW (L)	THROW (S)	Nc	BASIS OF DESIGN - METALAIR		
								DUCT CONN. (IN)	PATTERN	MODEL
(A)	24x24	6x6	173	0.05	-	-	25	SEE DWGS	SEE DWGS	5500D
(B)	24x24	9x9	279	0.05	-	-	25	SEE DWGS	SEE DWGS	5500D
(C)	24x24	12x12	398	0.05	-	-	25	SEE DWGS	SEE DWGS	5500D
(D)	24x24	15x15	506	0.05	-	-	25	SEE DWGS	SEE DWGS	5500D
(A)	-	8x8	91	0.05	-	-	25	SEE DWGS	1/2", 35"	RHD
(B)	-	12x12	398	0.05	-	-	25	SEE DWGS	1/2", 35"	RHD
(C)	-	18x18	655	0.05	-	-	25	SEE DWGS	1/2", 35"	RHD

PROVIDE ALL AIR DEVICES WITH OPPOSED BLADE DAMPERS.

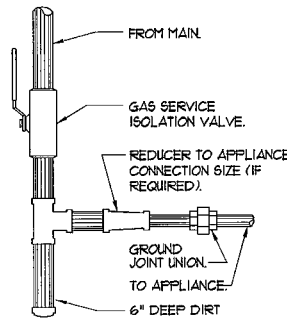
ELECTRIC WATER HEATER PERFORMANCE SCHEDULE

TAG	STORAGE (GALS)	RECOVERY @ 20°F RISE	ELECTRICAL REQUIREMENTS			BASIS OF DESIGN - STATE SELECT		
			HP	WATTS	V/PH/Hz	SERVICE	MODEL	
EWH-1	10.0	8	-	1650	120/1/60	DOM. HW	P6-10-12M5-K	

PLUMBING FIXTURE CONNECTION SCHEDULE

TAG	DESCRIPTION	SAN	VENT	CW	HW
P-1	ADA FLR MNTD TT WC	3"	2"	1/2"	-
P-2	ADA WALL HUNG LAV	1-1/2"	1-1/2"	1/2"	1/2"
P-3	ADA SINGLE BOWL 66 KITCHEN SINK	1-1/2"	1-1/2"	1/2"	1/2"
P-4	ADA WATER COOLER	1-1/2"	1-1/2"	1/2"	-
P-5	24"x24" MOP BASIN	3"	2"	1/2"	1/2"

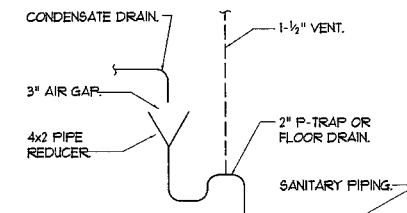
MINIMUM SIZE OF BELOW SLAB SANITARY & VENT PIPING SHALL BE 2".



DOWNFEED GAS PIPING CONNECTION DETAIL

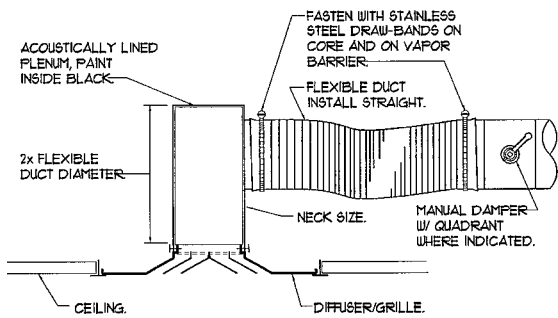
NTS

NOTE APPLIANCES WITH REGULATORS LOCATE PIPING SHOWN HEREIN UPSTREAM OF THE APPLIANCE REGULATOR. PROVIDE A TEST PLUG DOWNSTREAM OF THE APPLIANCE REGULATOR.



INDIRECT WASTE DETAIL

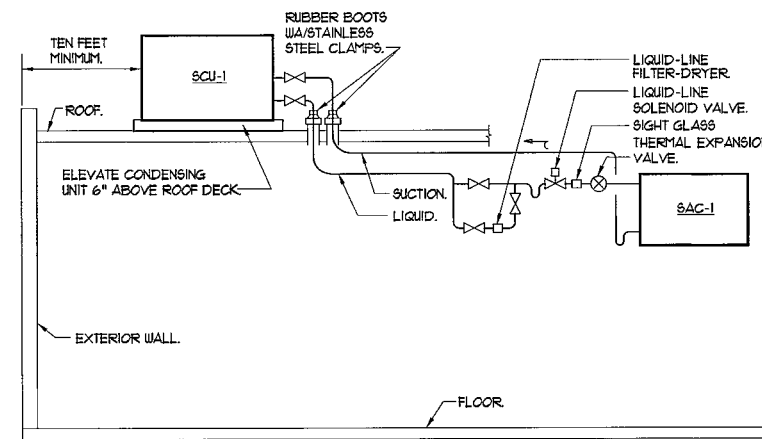
NTS



DIFFUSER/RETURN CONNECTION DETAIL

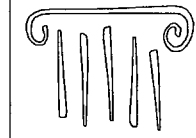
NTS

NOTE DETAIL TYPICAL FOR CEILING GRILLES, REGISTERS AND LINEAR DIFFUSERS. FOR SURFACE-MOUNT DEVICES, SUPPORT PLENUM FROM CEILING GRID WITH STEEL ANGLES FASTENED TO PLENUM.



REFRIGERANT PIPING DETAIL

NTS



PORT CITY ARCHITECTURE

65 NEWBURY STREET
PORTLAND, ME 04101
207.761.9000
fax: 207.761.2010
info@portcityarch.com



BrandPartners Group Inc
10 Main St.
Rochester, NH 03839
Phone: 603.335.1400
Fax: 603.335.1765



Bangor Savings Bank

BRIGHTON AVE
Portland, Maine

NO.	DATE	DESCRIPTION
1	--	Design Review

REVISIONS
Date Issued 10/16/06
Project Number 06108
Drawing Scale

SHEET NAME
MECHANICAL DETAILS

Drawn By SMR
Checked By SFD
M3.1