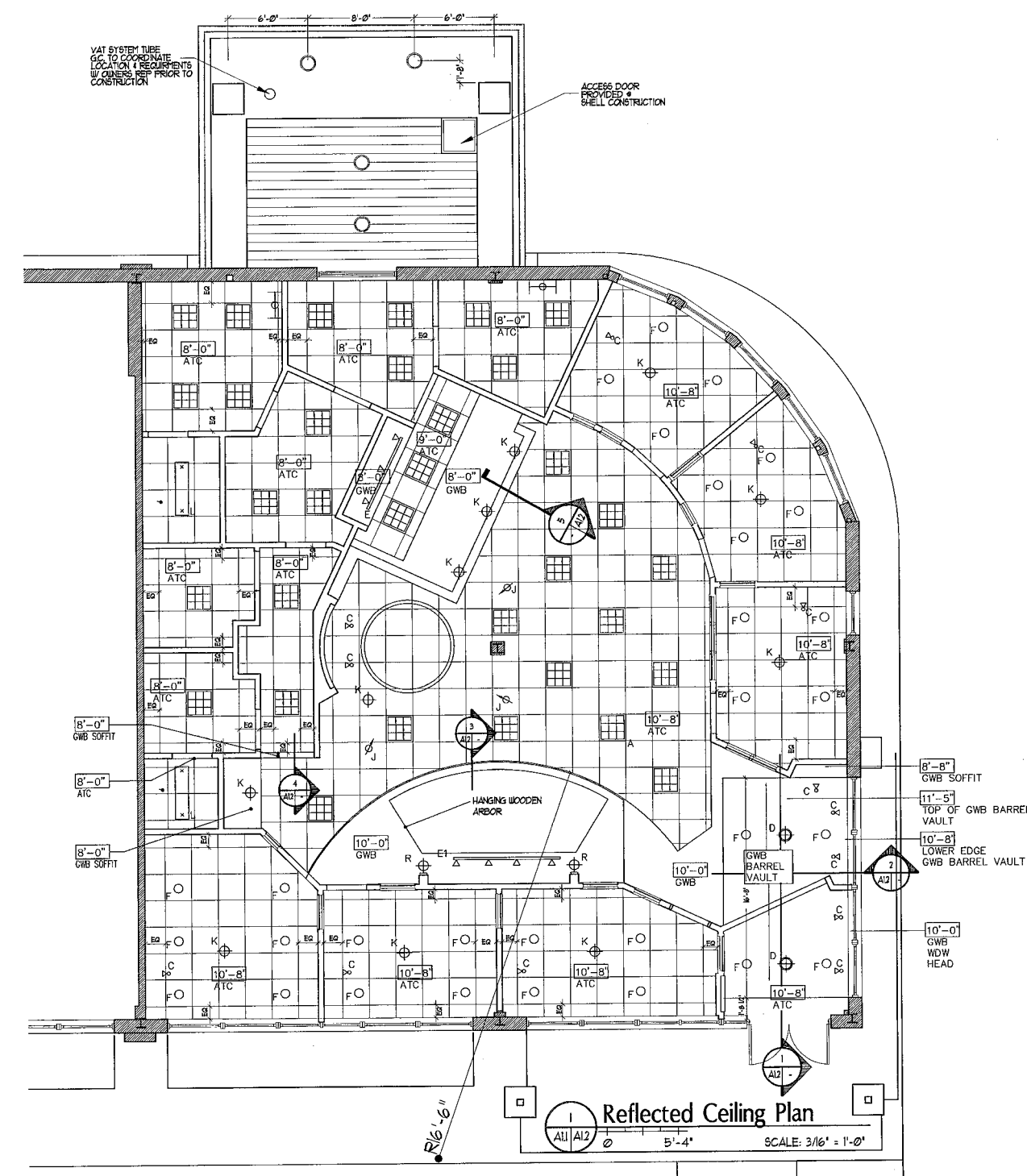
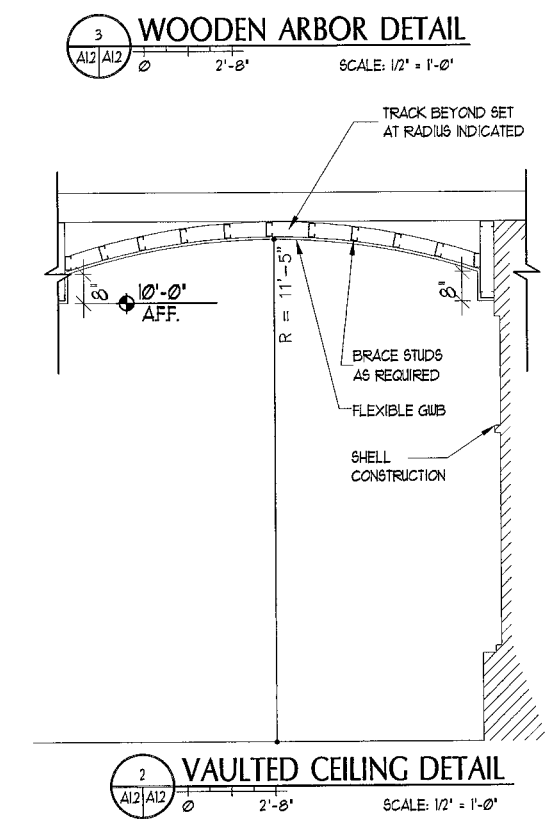
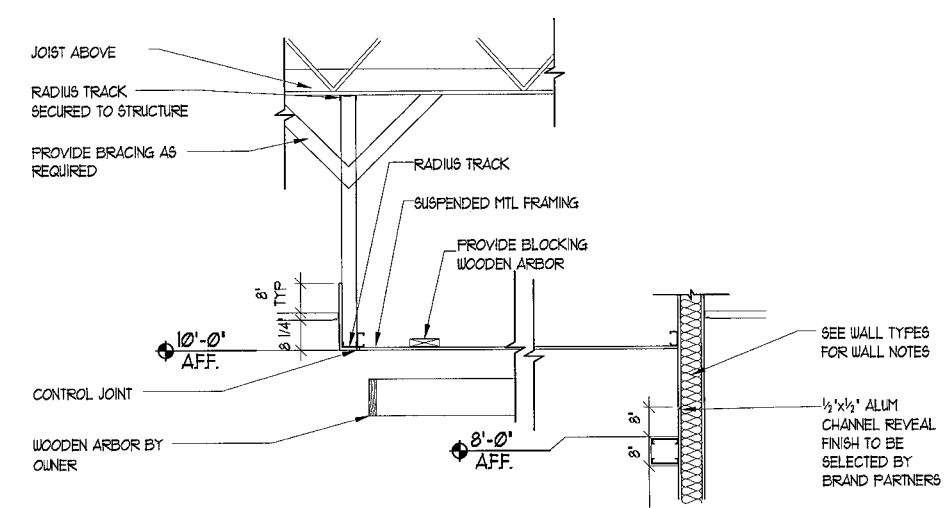
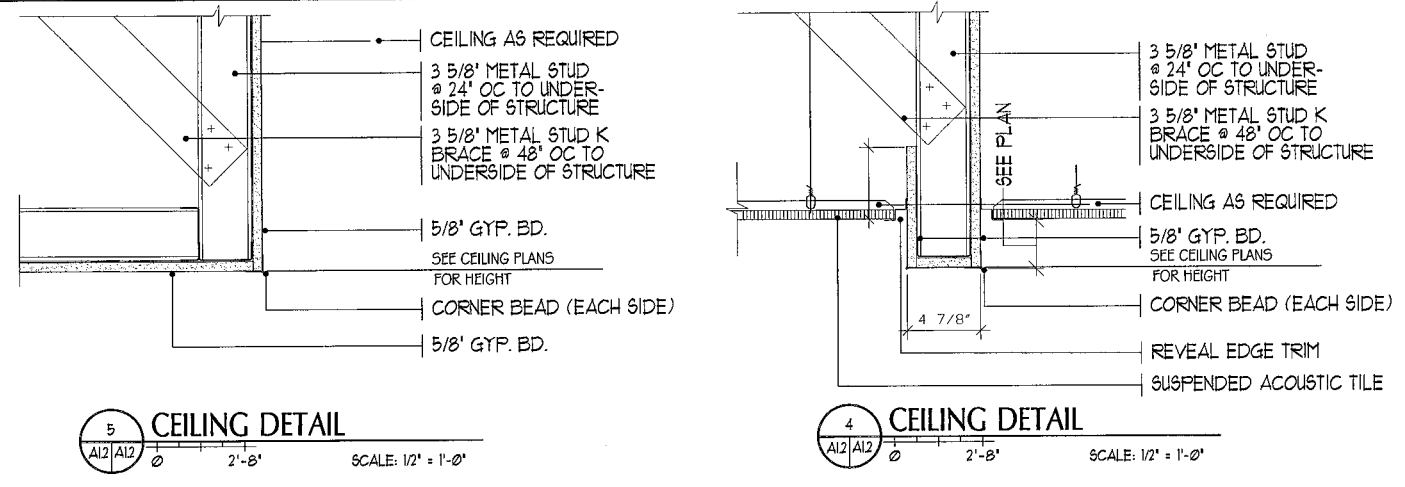
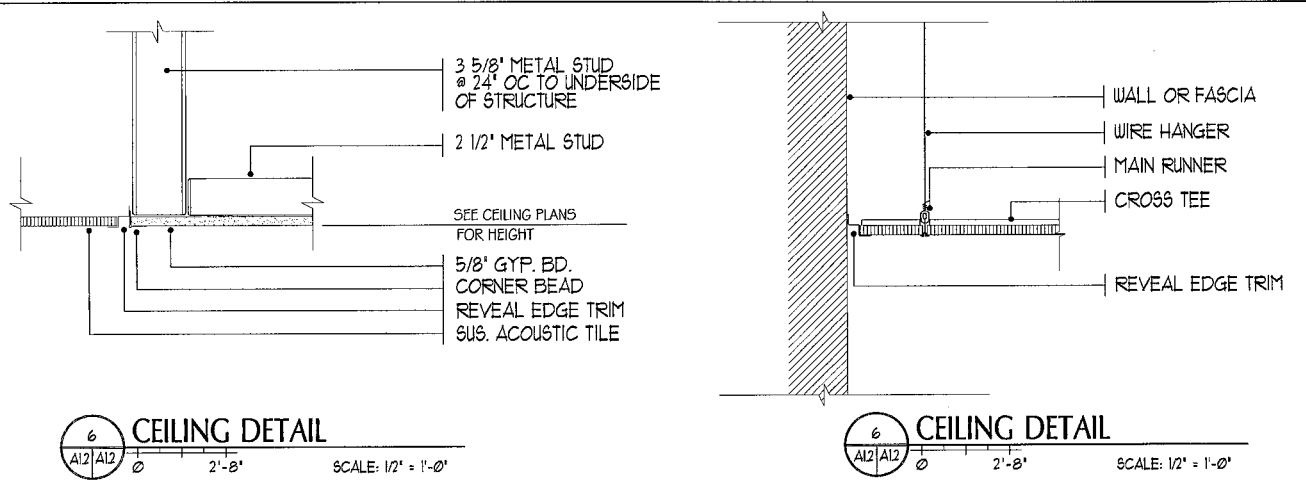
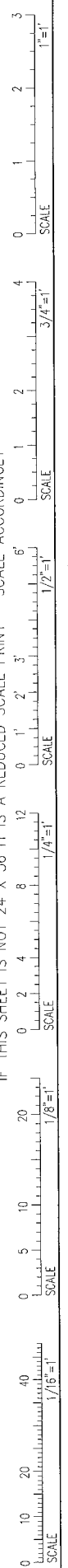


IF THIS SHEET IS NOT 24 X 36 IT IS A REDUCED SCALE PRINT - SCALE ACCORDINGLY



PORT CITY ARCHITECTURE
 65 NEWBURY STREET
 PORTLAND, ME 04101
 207.761.9000
 fax: 207.761.2010
 info@portcityarch.com

REGISTERED ARCHITECT
 JOHN C. CHARETTE
 NO. 2956
 STATE OF MAINE

brandpartners
 BrandPartners
 10 Main Street
 Rochester, NH 03839
 Phone: 603.335.1400
 Fax: 603.335.4542

BENNETT ENGINEERING
 CONSULTING ENGINEERS
 Bennett Road, P.O. Box 207, Ferrisburgh, Middlesex County, VT 05753
 Tel: (802) 848-2822
 Fax: (802) 848-1865
 Email: info@bennett-engineering.com

Bangor Savings Bank
 BRIGHTON AVE
 Portland, Maine

DATE	DESCRIPTION
REVISIONS	
Date Issued	10/16/06
Project Number	06108
Drawing Scale	AS NOTED
SHEET NAME	
REFLECTED CEILING PLAN	
Drawn By	NLG
Checked By	JCC
A12	