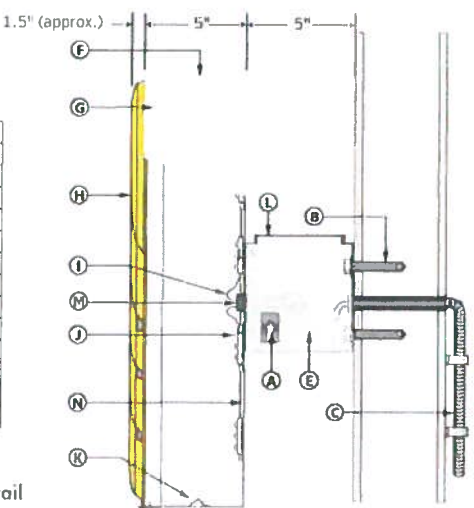
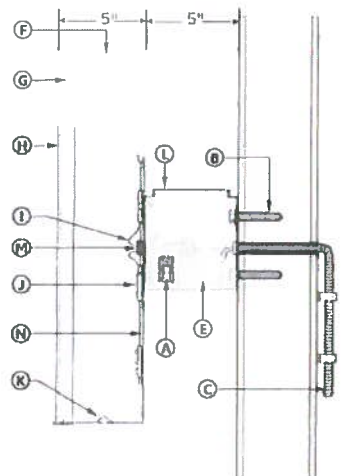


S1-Const.

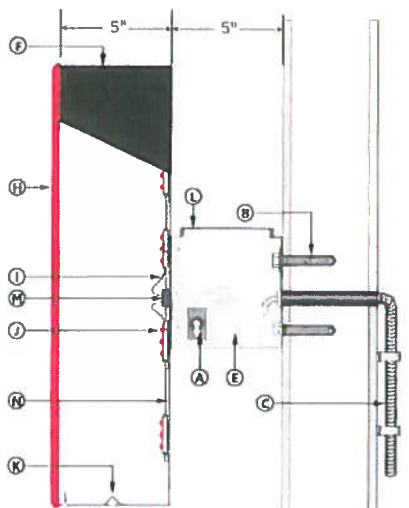
A	listed disconnect switch
B	mounting varies
C	primary electrical source
D	NOT USED
E	power supply (.63 amps)
F	5" (.040) aluminum return
G	1" trim cap
H	yellow acrylic logo face
I	supply wire
J	Agilight PRO 160 LED
K	weep holes
L	aluminum raceway (5" x 5")
M	7/8" Plastic bushing
N	.063" pre-coat white back



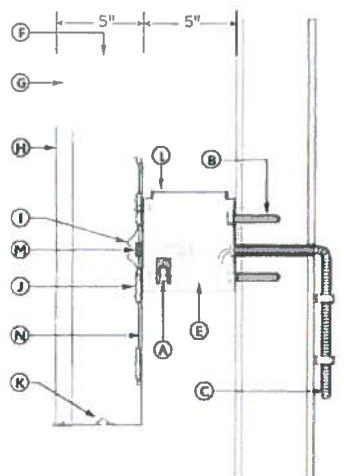
A	listed disconnect switch
B	mounting varies
C	primary electrical source
D	NOT USED
E	power supply (.63 amps)
F	5" aluminum return
G	1" trim cap
H	3/16" #7328 White acrylic
I	supply wire
J	Agilight PRO 160 LED
K	weep holes
L	aluminum raceway (5" x 5")
M	7/8" Plastic bushing
N	.063" pre-coat white back



A	listed disconnect switch
B	mounting varies
C	primary electrical source
D	NOT USED
E	power supply (.63 amps)
F	5" aluminum return
G	NOT USED
H	3/8" #2283 Red Acrylic
I	supply wire
J	Agilight SignRayz Red LED
K	weep holes
L	aluminum raceway (5" x 5")
M	7/8" Plastic bushing
N	.063" pre-coat white back



A	listed disconnect switch
B	mounting varies
C	primary electrical source
D	NOT USED
E	power supply (.63 amps)
F	5" aluminum return
G	1" trim cap
H	3/16" #7328 White acrylic
I	supply wire
J	Agilight PRO 160 LED
K	weep holes
L	aluminum raceway (5" x 5")
M	7/8" Plastic bushing
N	.063" pre-coat white back



Revisions	

File Location
AltDept\Cen\Draws\Sprint

Date 8/15/2015

City/State Portland ME

Drawing #

C47118-S1

Designer: ID PM MP

Address: 1064 Brighton Ave

Site Name

7768-1105

Handwritten signature and date: 9/16/2015