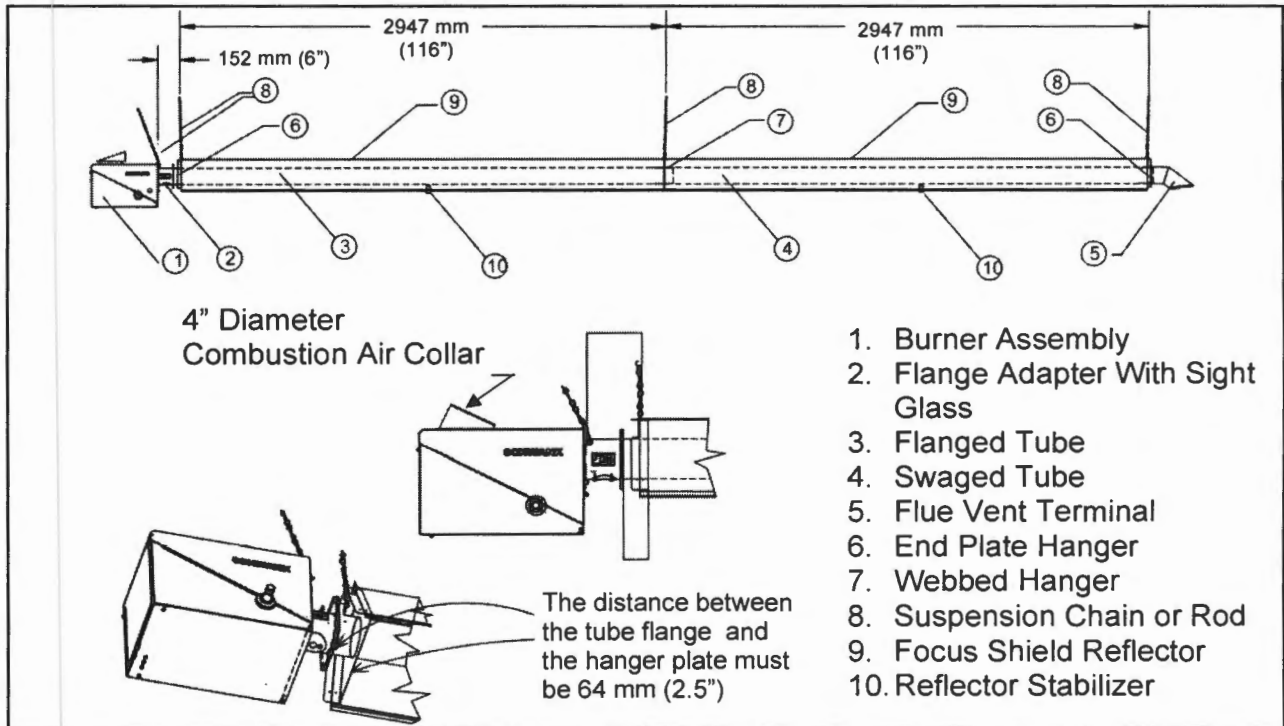
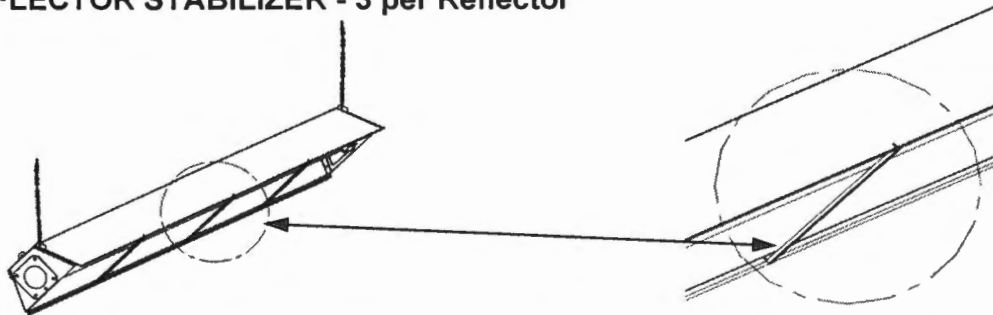


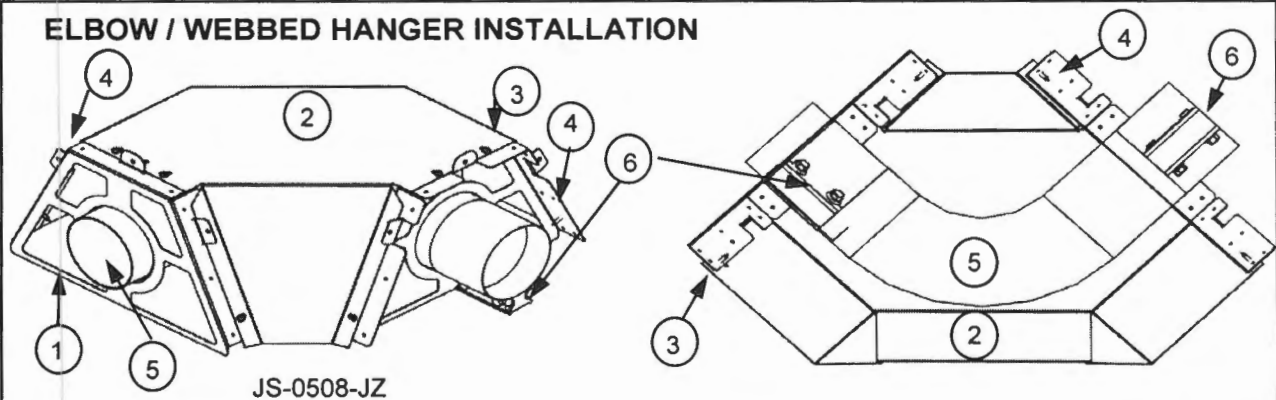
TYPICAL HANGER & SUPPORT SPACING RECOMMENDATIONS



REFLECTOR STABILIZER - 3 per Reflector



ELBOW / WEBBED HANGER INSTALLATION



1. Webbed Hanger
2. Reflector Cap
3. Webbed Hanger Flange UNDER Reflector

4. Webbed Hanger Flange mounts UNDER the next Reflector
5. 90° Elbow
6. Tube / Elbow Coupler