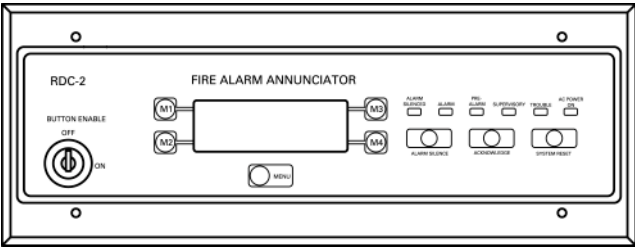


Model RDC-2 Remote 80 Character LCD Annunciator

Features

- 80 character, alphanumeric backlit display
- Mounts to 6 gang or 12411 surface box
- Contains four (4) menu buttons, four (4) dedicated buttons for operator interaction, six (6) LED indicators and a security key switch
- UL listed, standard 864



RDC-2 Annunciator

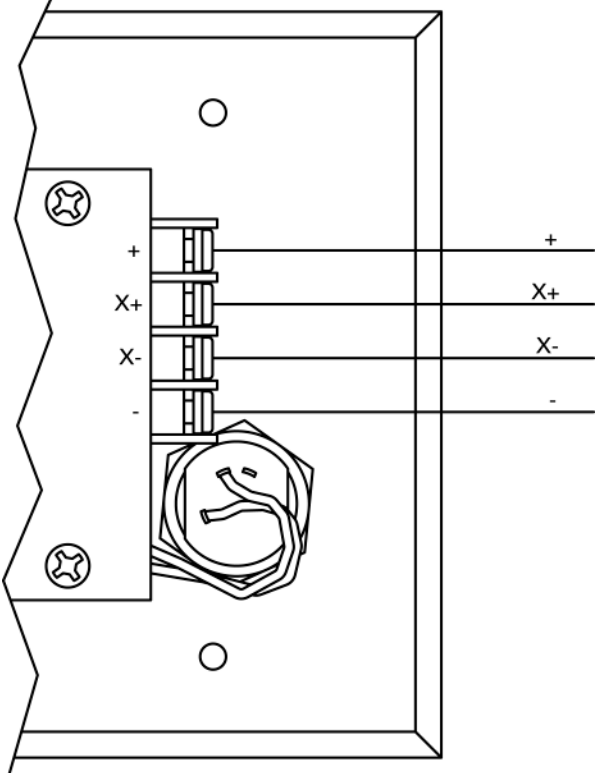
Description

The RDC-2 remote LCD annunciator is an optional accessory for the MPC-6000 and MPC-7000 Fire Alarm Control Panels from Faraday. It provides a 80 character LCD display along with the system status LEDs. The button enable keyswitch allows system reset, trouble silence/acknowledge, alarm silence and menu access. The lamp test operation is also enabled by the keyswitch, but the function is

limited to the annunciator. The annunciator mounts to a horizontally mounted 6-gang box, 2" deep minimum. The Faraday part number 12411 Surface Backbox may be used for surface mounting.

Up to 16 annunciators may be addressed by the communications circuit.

Typical Wiring



Cable for power (+ & -) and Twisted pair Cable for data (X+ & X-)-) from panel or previous remote and to next remote or 120 ohm termination resistor on the last remote.

General Specifications

Environmental

Operating Temperature:
32-120°F (0-49°C)

Relative Humidity: 85% @ 86°F

Power Consumption

Alarm: .025 Amp
Standby: .020 Amp

Transmission Format

Multiplexed, supervised style "W", power limited

Display

80 character, alphanumeric, backlit

Wiring

(2) pair, no. 18 awg. min., 4000 ft. max.,
daisy chained, no t-taps

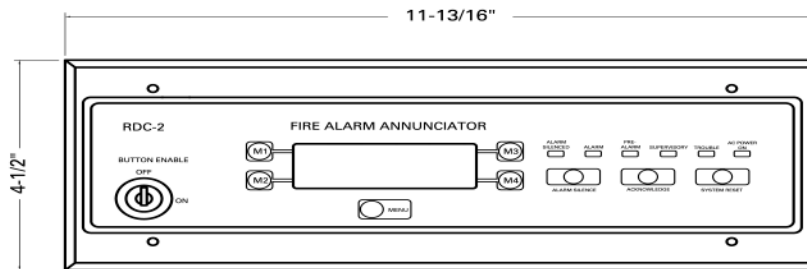
Mounting

6 gang box (supplied by others)

Shipping Weight

2 lbs. approx.

Dimensions



Ordering Information

Model	Description	Part No.
RDC-2	Remote 80 character LCD annunciator	500-648980FA
Options		
12411014	Surface mount back box	500-699639FA



Siemens Building Technologies, Inc.
8 Fernwood Road • Florham Park, NJ 07932
Tel: (973) 593-2600 • Fax: (973) 593-6670
Web: www.faradayfirealarms.com

WARNING - The information contained in this document is intended only as a summary and is subject to change without notice. The devices described in this document have specific instruction sheets which cover various technical, limitation and liability information. Copies of these instruction sheets and the General Product Warning and Limitations Document, which also contains important information, are provided with the product and are available from the Manufacturer. Information contained in these documents should be consulted before specifying or using the product. For further information or assistance concerning particular problems contact the Manufacturer.