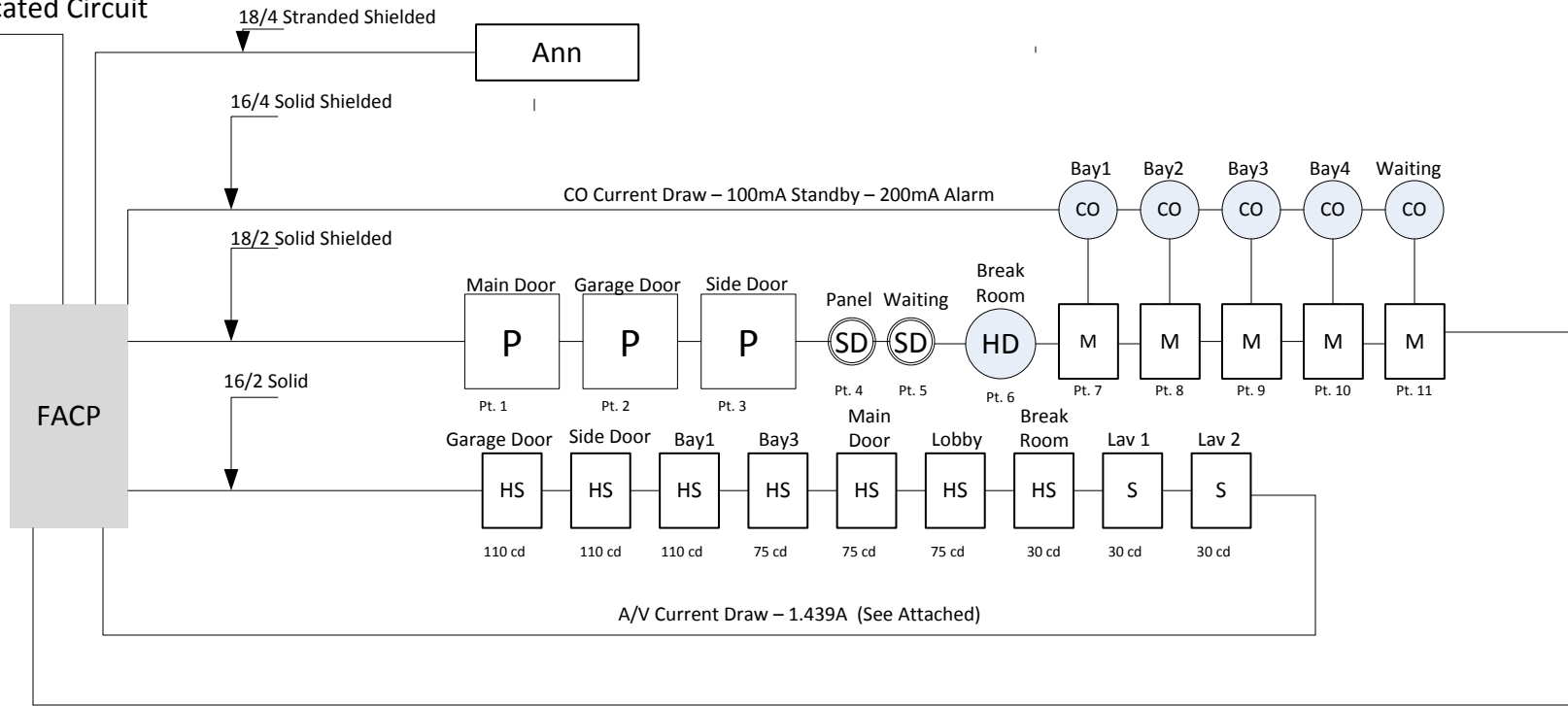


120VAC Dedicated Circuit



- P Pull Station
- SD Smoke Detector
- HS Horn/Stroke
- S Strobe Only
- Ann Annunciator
- M Monitor Module/CO