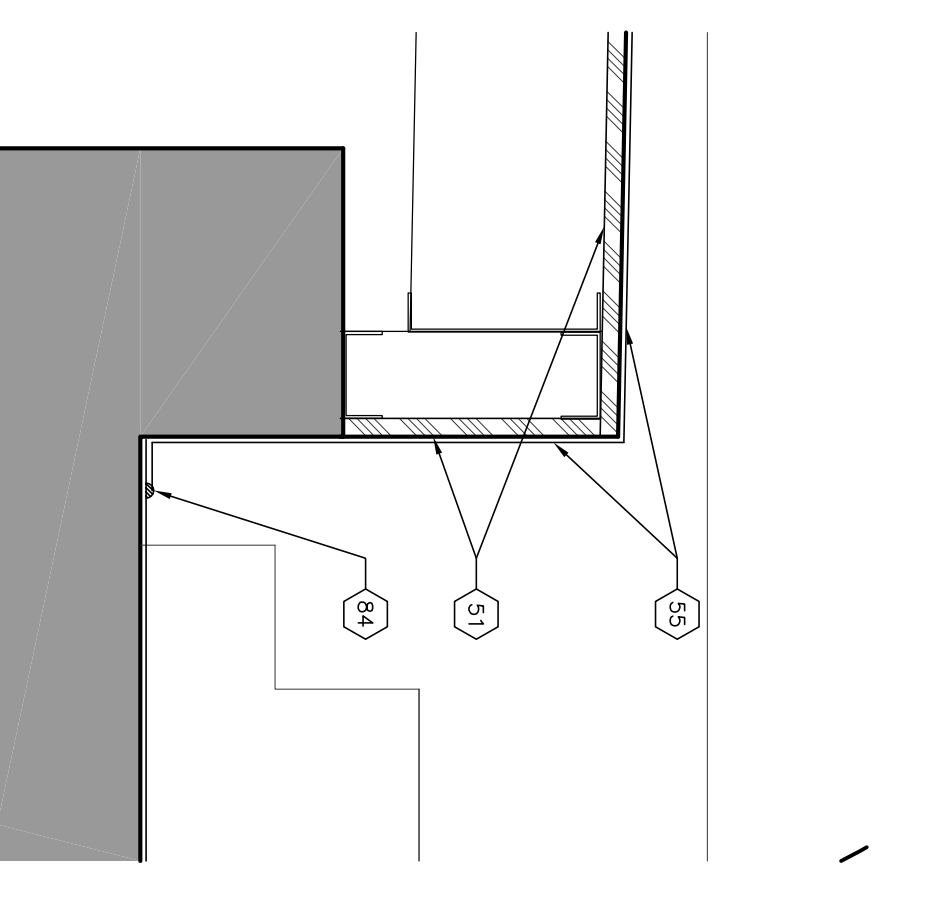
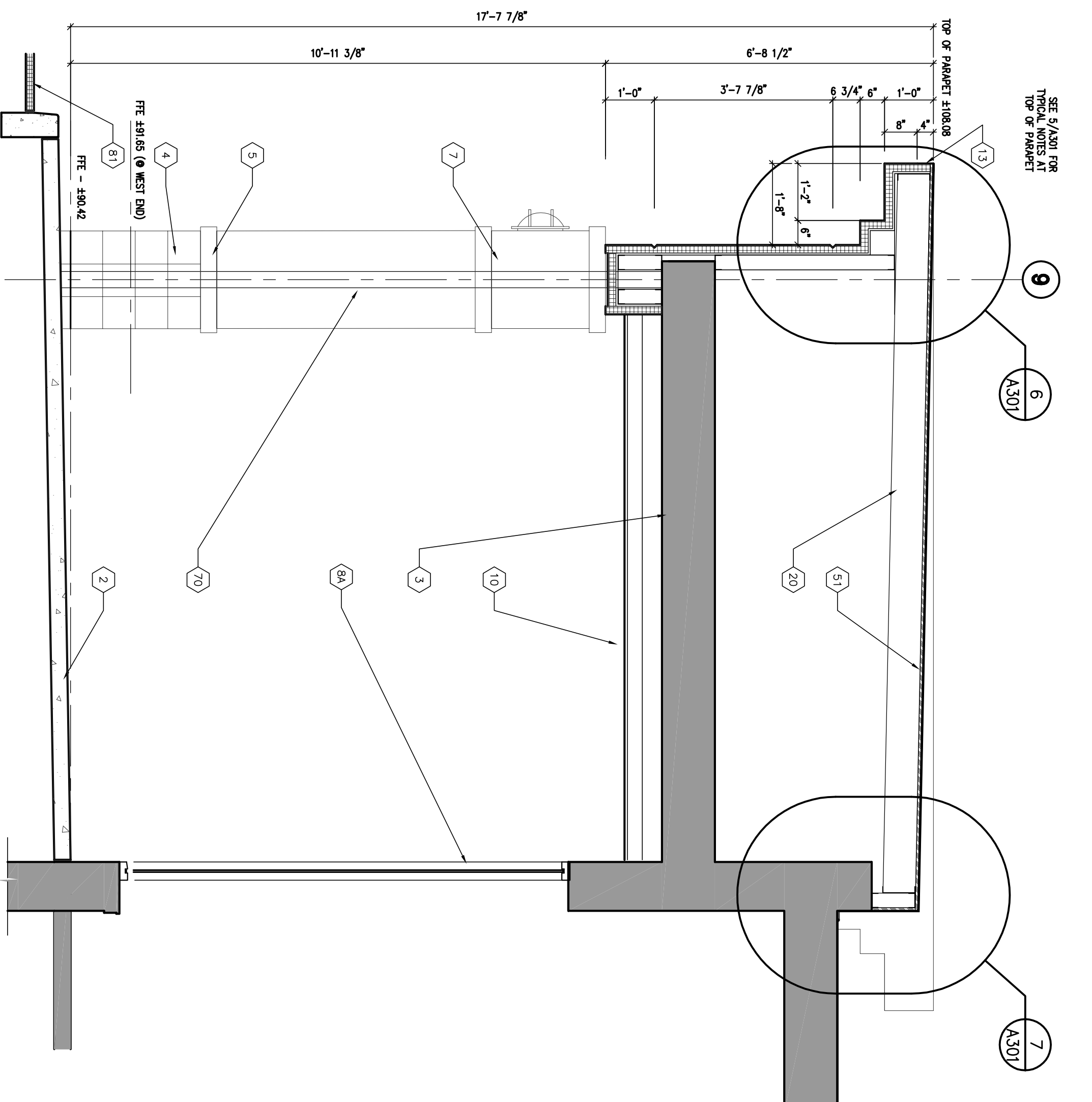


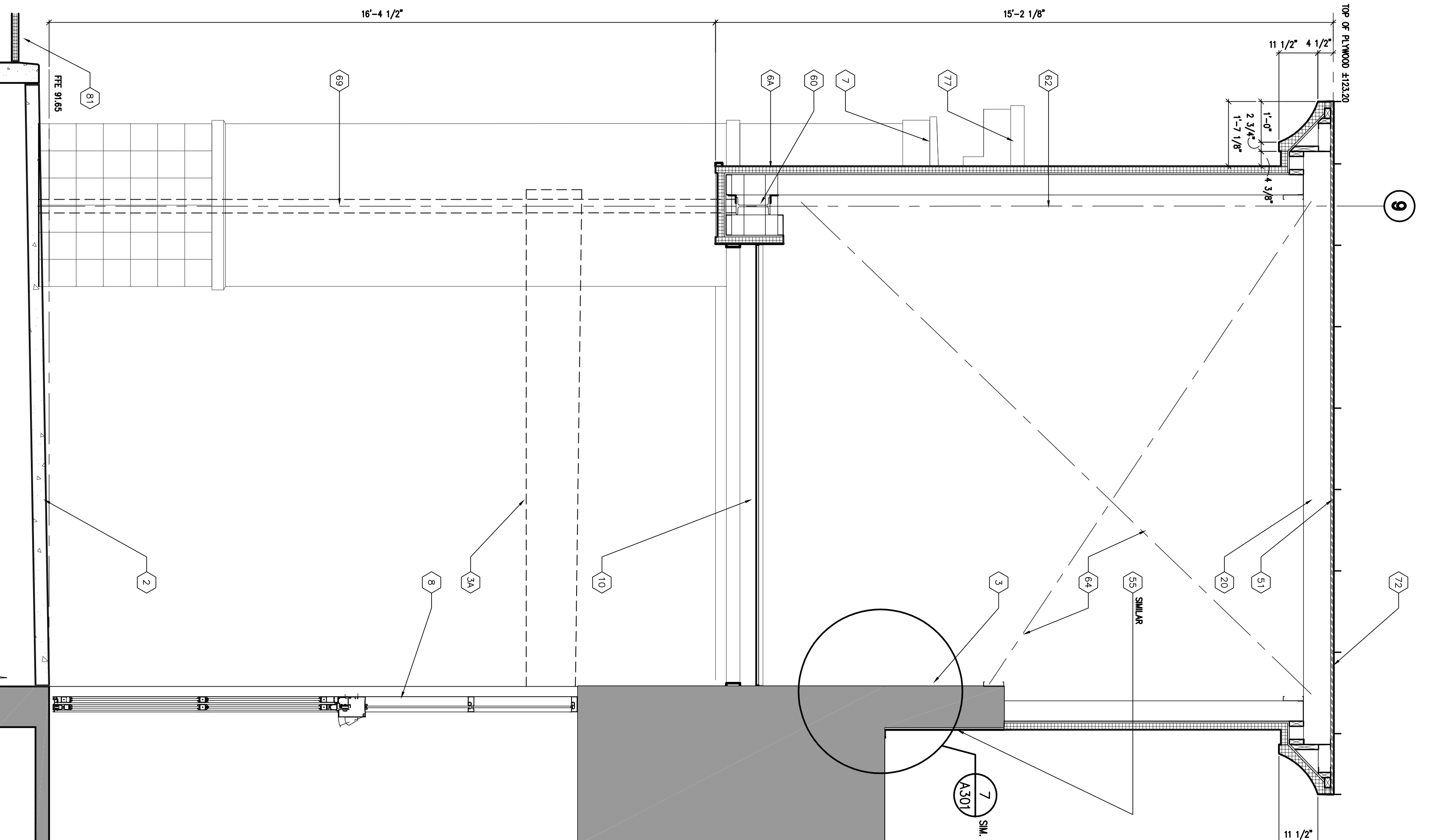
6 COPING DETAIL  
SCALE: 1/2"=1'-0"



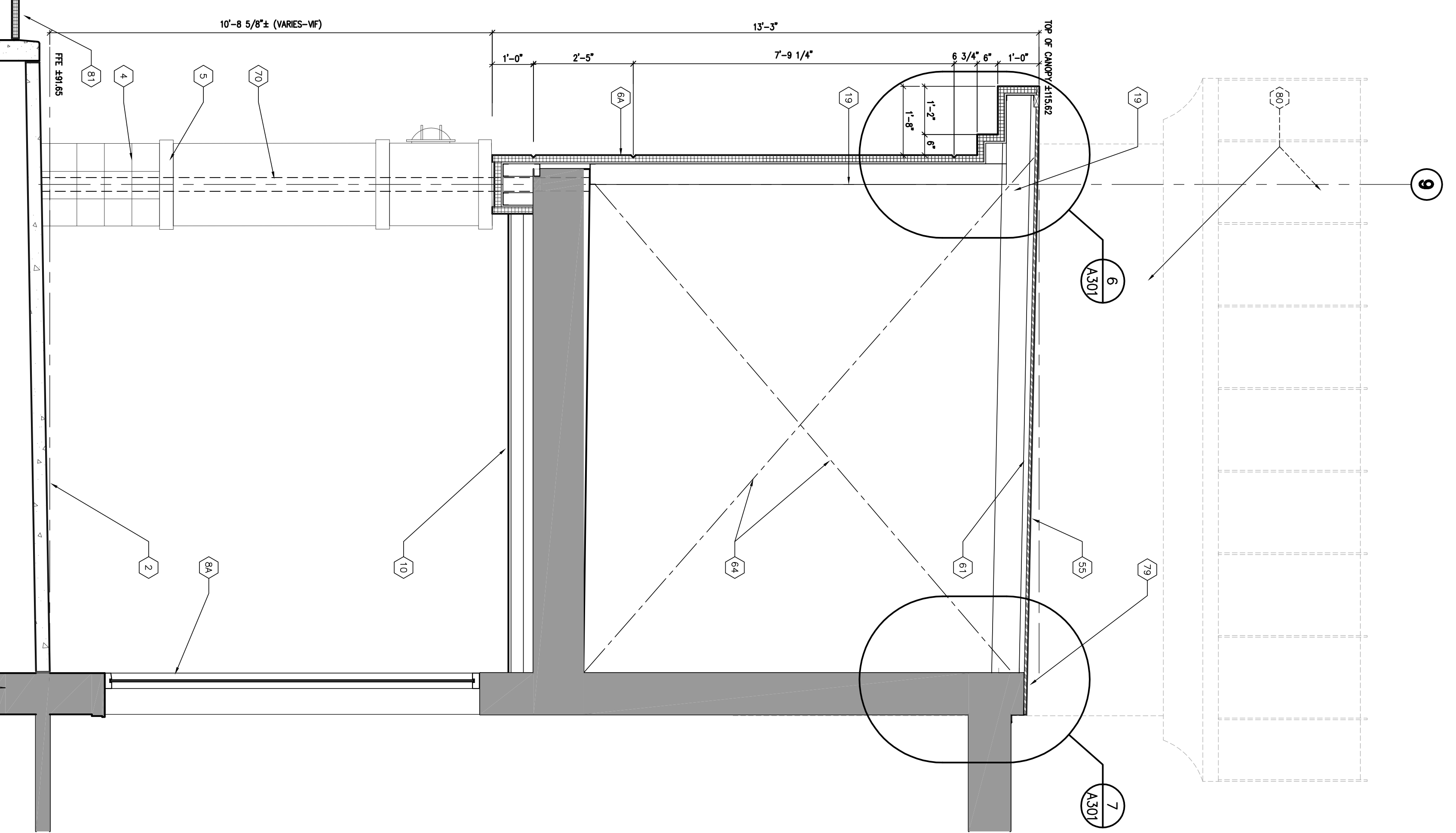
7 ROOF TRANSITION DETAIL  
SCALE: 1/2"=1'-0"



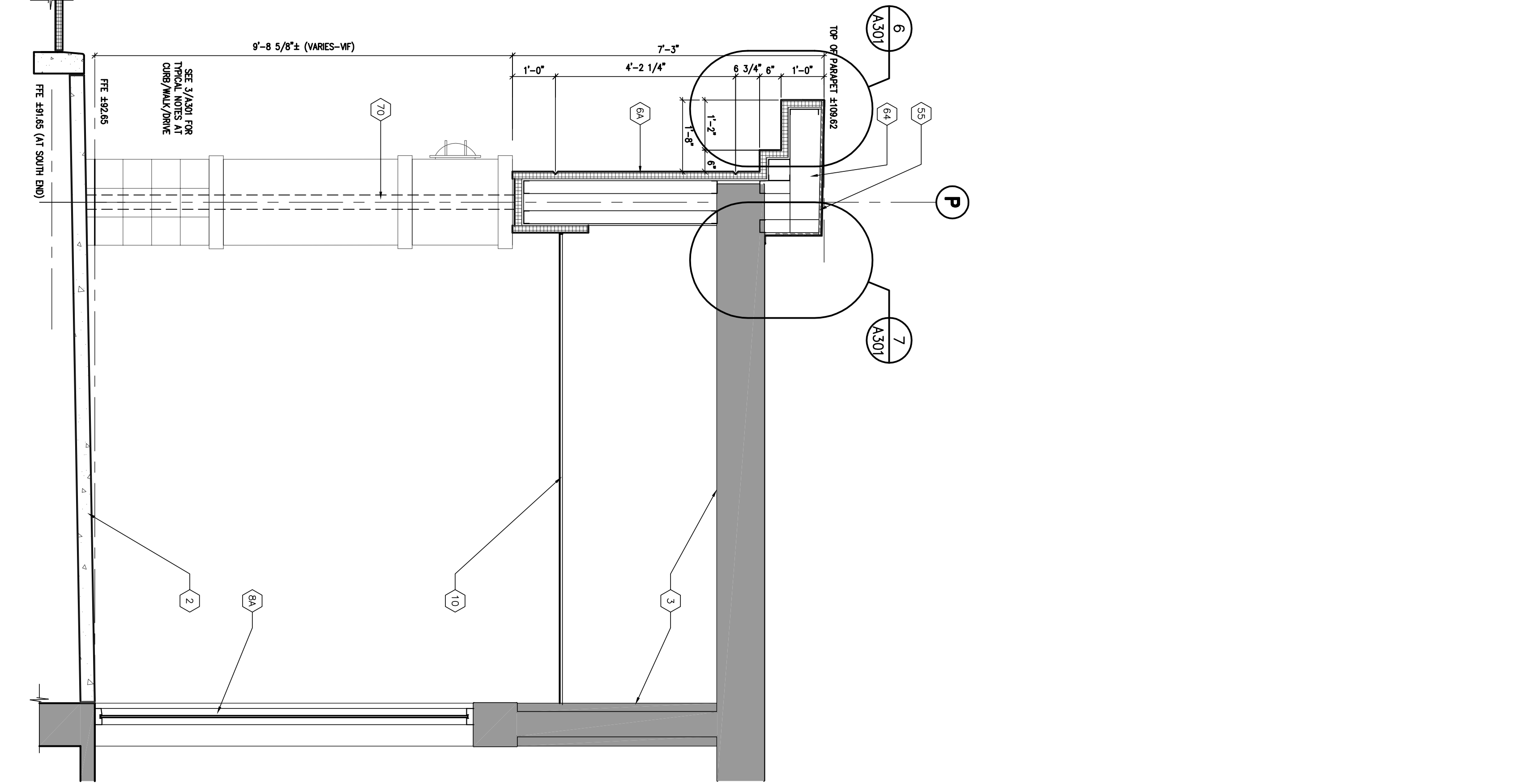
1 CANOPY/WALL SECTION  
SCALE: 1/2"=1'-0"



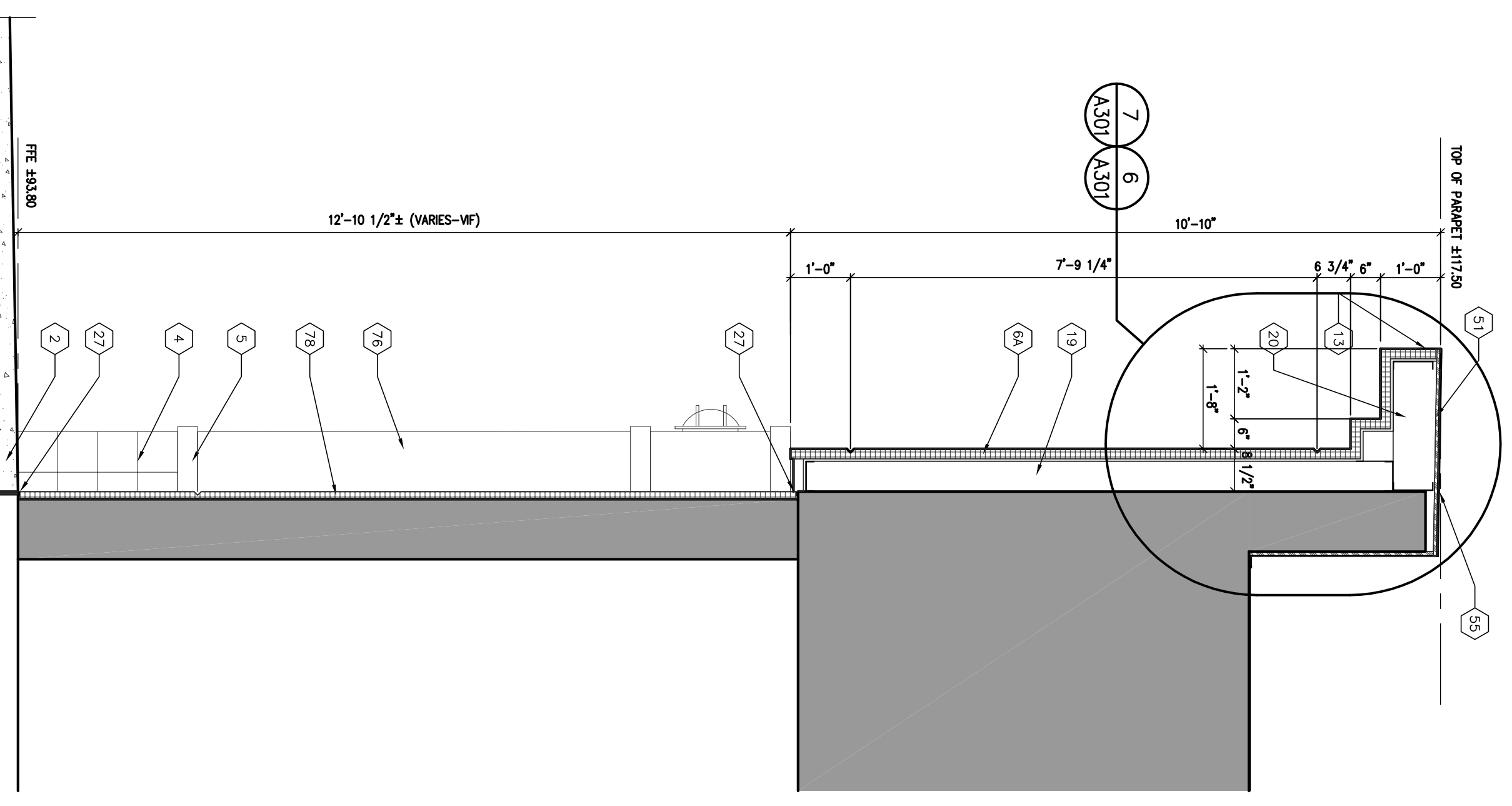
2 CANOPY/WALL SECTION  
SCALE: 1/2"=1'-0"



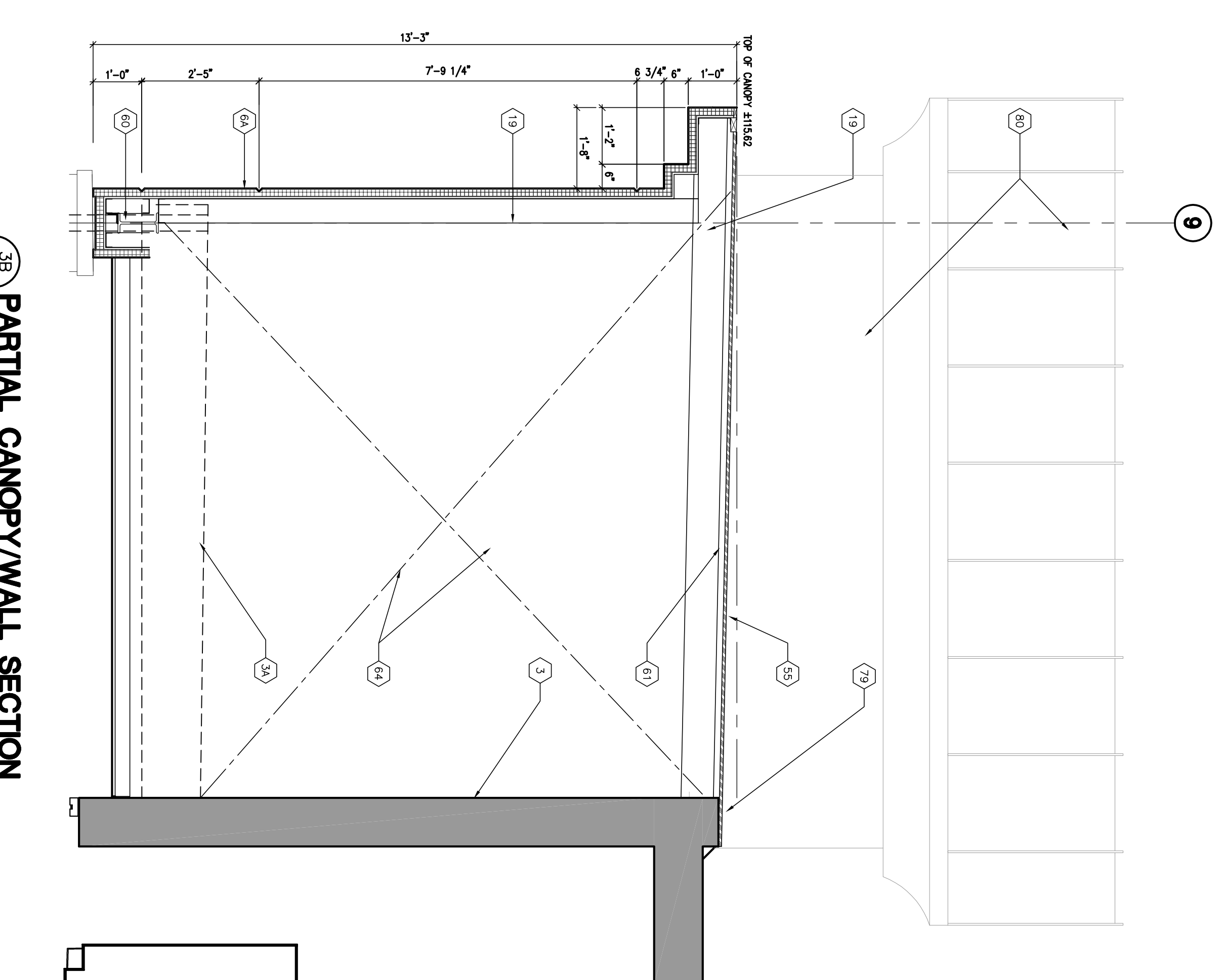
3 CANOPY/WALL SECTION  
SCALE: 1/2"=1'-0"



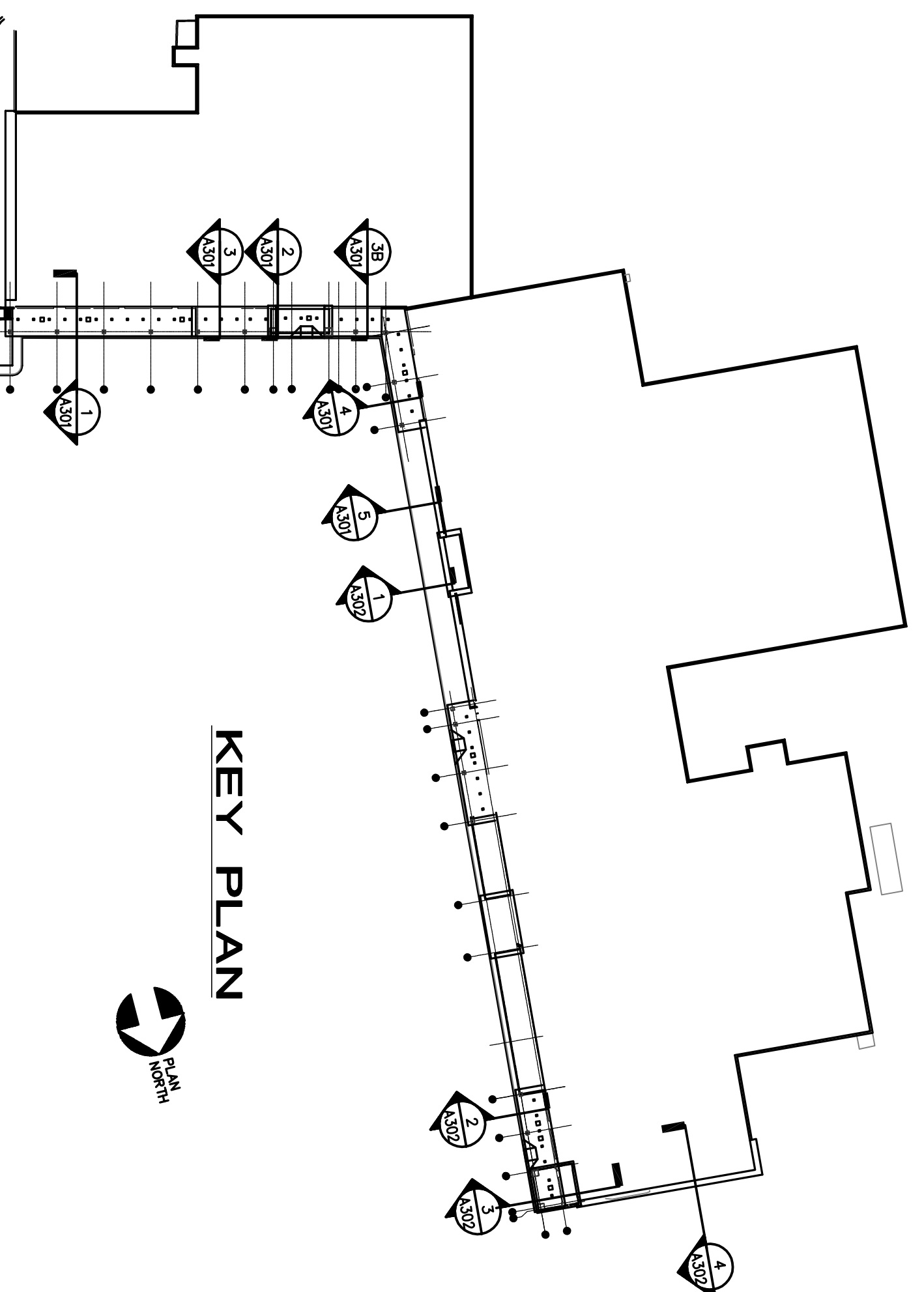
4 CANOPY/WALL SECTION  
SCALE: 1/2"=1'-0"



5 WALL SECTION  
SCALE: 1/2"=1'-0"



6 PARTIAL CANOPY/WALL SECTION  
SCALE: 1/2"=1'-0"



**KEYED NOTES LEGEND**

1. EXISTING STRUCTURE AND CONCRETE TO REMAIN.
2. EXISTING STRUCTURE TO REMAIN. EXISTING REINFORCING CONCRETE.
3. EXISTING STRUCTURE TO REMAIN. EXISTING REINFORCING CONCRETE (TYPE).
4. EXISTING STRUCTURE TO REMAIN. EXISTING REINFORCING CONCRETE (TYPE).
5. EXISTING STRUCTURE TO REMAIN. EXISTING REINFORCING CONCRETE (TYPE).
6. EXISTING STRUCTURE TO REMAIN. EXISTING REINFORCING CONCRETE (TYPE).
7. EXISTING STRUCTURE TO REMAIN. EXISTING REINFORCING CONCRETE (TYPE).
8. EXISTING STRUCTURE TO REMAIN. EXISTING REINFORCING CONCRETE (TYPE).
9. EXISTING STRUCTURE TO REMAIN. EXISTING REINFORCING CONCRETE (TYPE).
10. EXISTING STRUCTURE TO REMAIN. EXISTING REINFORCING CONCRETE (TYPE).
11. EXISTING STRUCTURE TO REMAIN. EXISTING REINFORCING CONCRETE (TYPE).
12. EXISTING STRUCTURE TO REMAIN. EXISTING REINFORCING CONCRETE (TYPE).
13. EXISTING STRUCTURE TO REMAIN. EXISTING REINFORCING CONCRETE (TYPE).
14. EXISTING STRUCTURE TO REMAIN. EXISTING REINFORCING CONCRETE (TYPE).
15. EXISTING STRUCTURE TO REMAIN. EXISTING REINFORCING CONCRETE (TYPE).
16. EXISTING STRUCTURE TO REMAIN. EXISTING REINFORCING CONCRETE (TYPE).
17. EXISTING STRUCTURE TO REMAIN. EXISTING REINFORCING CONCRETE (TYPE).
18. EXISTING STRUCTURE TO REMAIN. EXISTING REINFORCING CONCRETE (TYPE).
19. EXISTING STRUCTURE TO REMAIN. EXISTING REINFORCING CONCRETE (TYPE).
20. EXISTING STRUCTURE TO REMAIN. EXISTING REINFORCING CONCRETE (TYPE).
21. EXISTING STRUCTURE TO REMAIN. EXISTING REINFORCING CONCRETE (TYPE).
22. EXISTING STRUCTURE TO REMAIN. EXISTING REINFORCING CONCRETE (TYPE).
23. EXISTING STRUCTURE TO REMAIN. EXISTING REINFORCING CONCRETE (TYPE).
24. EXISTING STRUCTURE TO REMAIN. EXISTING REINFORCING CONCRETE (TYPE).
25. EXISTING STRUCTURE TO REMAIN. EXISTING REINFORCING CONCRETE (TYPE).
26. EXISTING STRUCTURE TO REMAIN. EXISTING REINFORCING CONCRETE (TYPE).
27. EXISTING STRUCTURE TO REMAIN. EXISTING REINFORCING CONCRETE (TYPE).
28. EXISTING STRUCTURE TO REMAIN. EXISTING REINFORCING CONCRETE (TYPE).
29. EXISTING STRUCTURE TO REMAIN. EXISTING REINFORCING CONCRETE (TYPE).
30. EXISTING STRUCTURE TO REMAIN. EXISTING REINFORCING CONCRETE (TYPE).