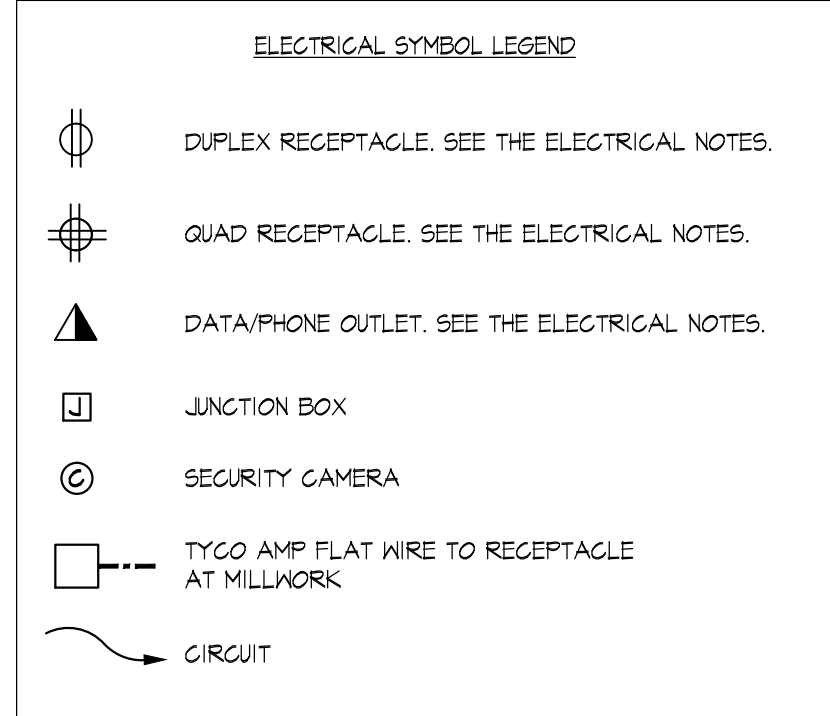
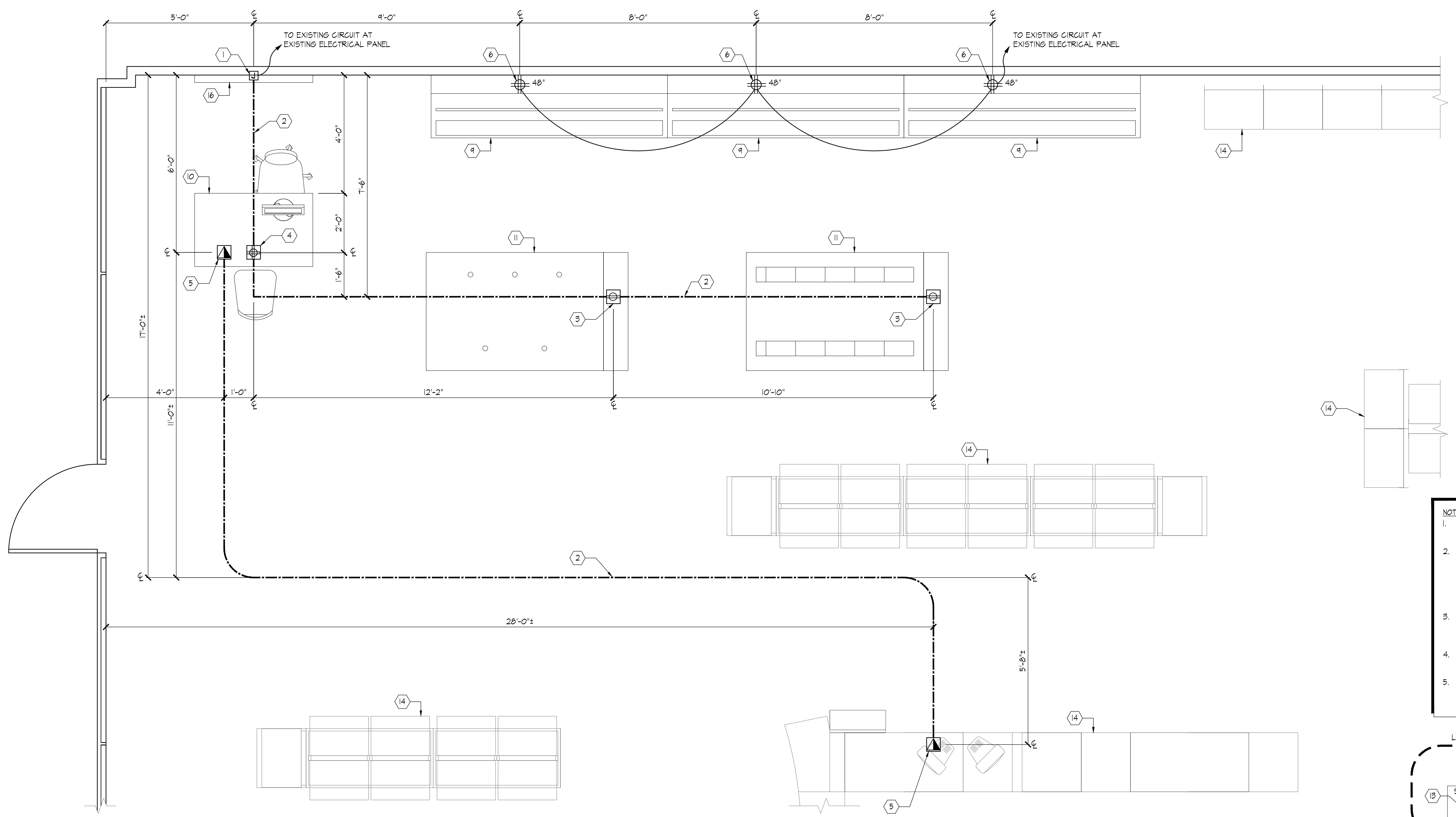
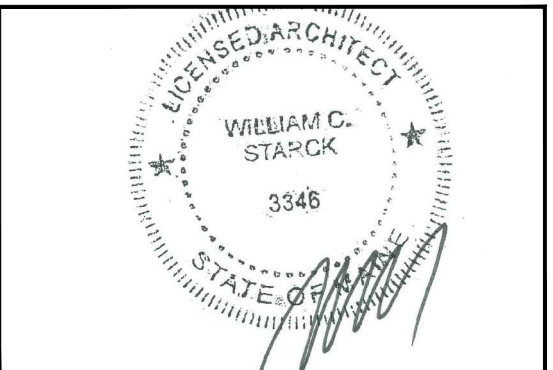
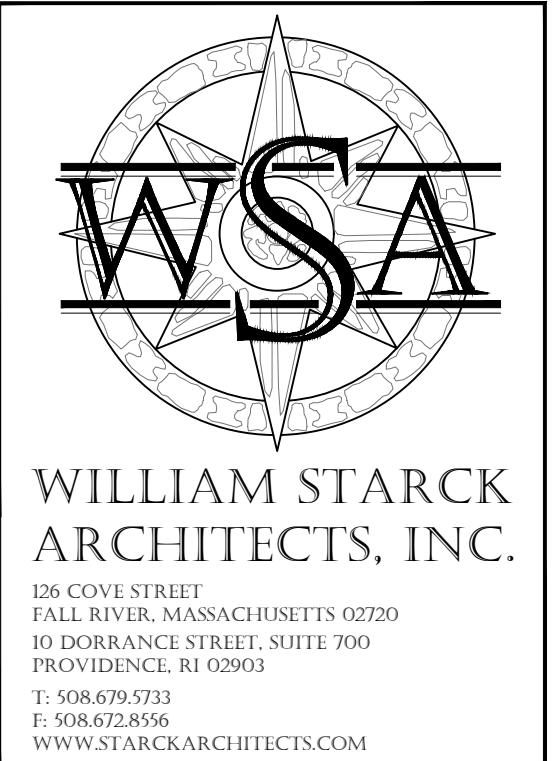


2 KEY PLAN  
SCALE: 1/8" = 1'-0"

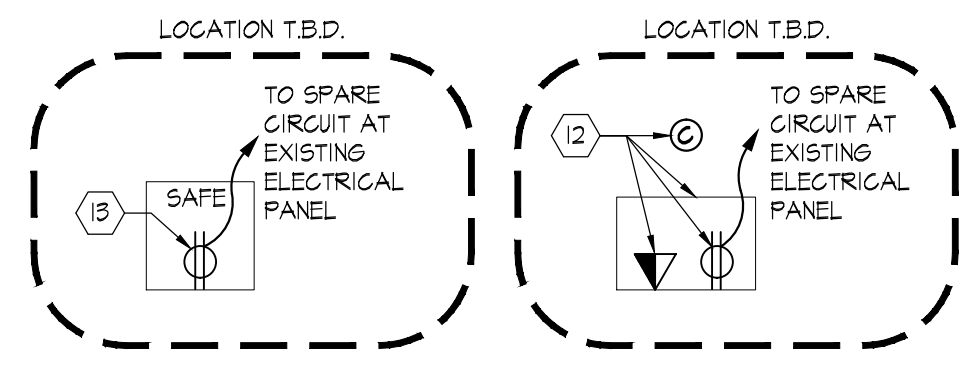
- ELECTRICAL GENERAL NOTES:**
1. ALL ELECTRICAL WORK SHALL BE DONE BY A LICENSED ELECTRICIAN. WORK SHALL BE DONE IN ACCORDANCE WITH THE NATIONAL ELECTRIC CODE AND LOCAL PLANNER.
  2. DON'T LOAD ANY CIRCUIT BEYOND 80% OF ITS CAPACITY.
  3. TRACE OUT ANY AND ALL CIRCUITS BEING TIED INTO TO INSURE THAT THE CIRCUIT IS NOT OVERLOADED.
  4. ELECTRICAL CONTRACTOR SHALL TIE BACK ALL LOOSE WIRING (INCLUDING LOW VOLTAGE) IN AN ORDERLY FASHION.
  5. AVOID RUNNING LOW VOLTAGE WIRE OVER HIGH VOLTAGE WIRING OR LIGHT FIXTURES.
  6. PROVIDE CONDUIT FOR ALL WIRING. COORDINATE INSTALLATION AND ROUTING REQUIREMENTS WITH APPROPRIATE INSTALLER(S).



- POWER PLAN NOTES:**
1. INSTALL 1"AMP# 554805 RECESSED WALL BOX AT 10" AFF WITH #553242-1 (GREY) COVER PLATE AND 554862-1 TRANSITION BLOCK FOR UNDER CARPET POWER WIRING CONNECTION. PROVIDE WIRING AND (1) 20 AMP CIRCUITS FOR TRANSITION TO UNDER CARPET WIRING. CUT BOTTOM TRACK BELOW WALL BOX FOR FLATWIRE INTO SALES AREA.
  2. UNDERCARPET FLATWIRE LOCATION FOR DIMENSIONAL REFERENCE ONLY
  3. FURNISH AND INSTALL 1"AMP# 554186-1 DUPLEX FRAME AND #55910-1 DUPLEX ATTACHED TO BLACK CIRCUIT FOR OEM TABLE POWER. ATTACH ALL TO BLACK CIRCUIT.
  4. FURNISH AND INSTALL 1"AMP# 554181-1 (B) CONDUCTOR WHIP KIT FOR POS POWER ONE CIRCUIT TO BOTH THE QUADPLEX AT POS AND FOR THE OEM TABLES.
  5. PROVIDE (5) DATA CABLES TERMINATED IN AMP #419440-(B) SIX-PORT BOX IN POS. RUN CABLES UNDER THE CARPET TO EXISTING RADIO SHACK POINT OF SALE/CASH WRAP AND TERMINATE IN SIMILAR AMP TERMINATION BOX. GC TO VERIFY EXACT LOCATION AND DISTANCE TO RADIO SHACK POS DURING PRE-CONSTRUCTION MEETING. DIMENSIONS FOR FLATWIRE DATA TERMINATION POINTS ARE APPROXIMATE AND SHALL BE FIELD VERIFIED TO COORDINATE WITH SPRINT FIXTURE AND CARPET SEAM LOCATIONS. PROVIDE 3'-0" OF EXCESS CABLE EXTENDED FROM NEAREST CARPET SEAM TO TERMINATION BOX. CUT A SLIT IN CARPET FOR CABLE UNDER FIXTURE AS REQUIRED, RE-INSTALL CARPET WIRE CABLE INTO TERMINATION BOX AND MOUNT IN FIXTURE WITH DOUBLE-SIDED TAPE OR HOOK AND LOOP STRIP.
  6. QUADPLEX OUTLETS, PROVIDE (1) SINGLE 20 AMP CIRCUIT TO POWER ALL.
  7. NOT USED
  8. NOT USED
  9. HANDSET DISPLAY FIXTURE
  10. POINT OF SALES COUNTER
  11. HANDSET TABLE
  12. SECURITY CAMERA AND ALL ASSOCIATED CABLING MATERIALS AND INSTALLATION WILL BE PROVIDED AND INSTALLED BY OTHERS. GENERAL CONTRACTOR TO PROVIDE A SURFACE MOUNTED DUPLEX AND DATA OUTLET AND A 12" C 18" LAMINATE SHELF WITH WALL BRACKETS AT LOCATION TO BE DETERMINED NEAR THE CURRENT RADIO SHACK NETWORK EQUIPMENT.
  13. PROVIDE DUPLEX OUTLET AT SAFE LOCATION TO BE FIELD DETERMINED. CIRCUIT TO EXISTING OUTLETS, SAFE TO BE PROVIDED AND INSTALLED BY SPRINT.
  14. EXISTING RADIOSHACK FIXTURE
  15. NOT USED
  16. 4X5 SNAP FRAME PROVIDED BY SPRINT INSTALLED BY GC. SNAP FRAME TO BE INSTALLED ON WALL BEHIND POS AND TO BE CENTERED WITH POS WITH TOP OF SNAP FRAME TO BE 8'-0" AFF



- NOTE:**
1. VERIFY LOCATIONS OF ALL NEW COMPONENTS WITH LATEST STORE LAYOUT.
  2. RE-USE/MODIFY EXISTING ELECTRICAL SERVING OLD CELL PHONE DISPLAY AREA AS APPLICABLE PER NEW LAYOUT. EXTEND EXISTING CIRCUITS TO NEW LOCATIONS. ALL NEW EQUIPMENT SHALL BE CONNECTED TO SPARE CIRCUIT(S) AT EXISTING PANEL PER MANUFACTURER REQUIREMENTS.
  3. REMOVE ALL SURFACE MOUNTED WALL OR FLOOR ELECTRICAL (BOXES AND CONDUIT) WITHIN AREA OF WORK. REPAIR SURFACES AS REQUIRED FOR NEW FINISH.
  4. RE-LAMP EXISTING LIGHT FIXTURES WITHIN AREA OF WORK AS REQUIRED.
  5. UNDERCARPET FLATWIRE CONTACT: BILL NEUSTADT - ELECTRONICS SUPPLY COMPANY TEL: (836) 121-5824



1 SPRINT AREA - POWER PLAN  
SCALE: 1/2" = 1'-0"

**STORE WITHIN A STORE**  
**SPRINT STORE # 7766**  
 (WITHIN RADIOSHACK STORE # 1106)  
 1064 BRIGHTON AVENUE  
 PORTLAND, ME 04102

REVISIONS:

SCALE: **AS NOTED**  
 DATE: **10.28.15**  
 DRAWN BY: **MJT**  
 JOB NUMBER: **246-15**

DRAWING NAME: **POWER PLAN, LEGEND & NOTES**

DRAWING NUMBER:

**AE-1**

COMMENTS: