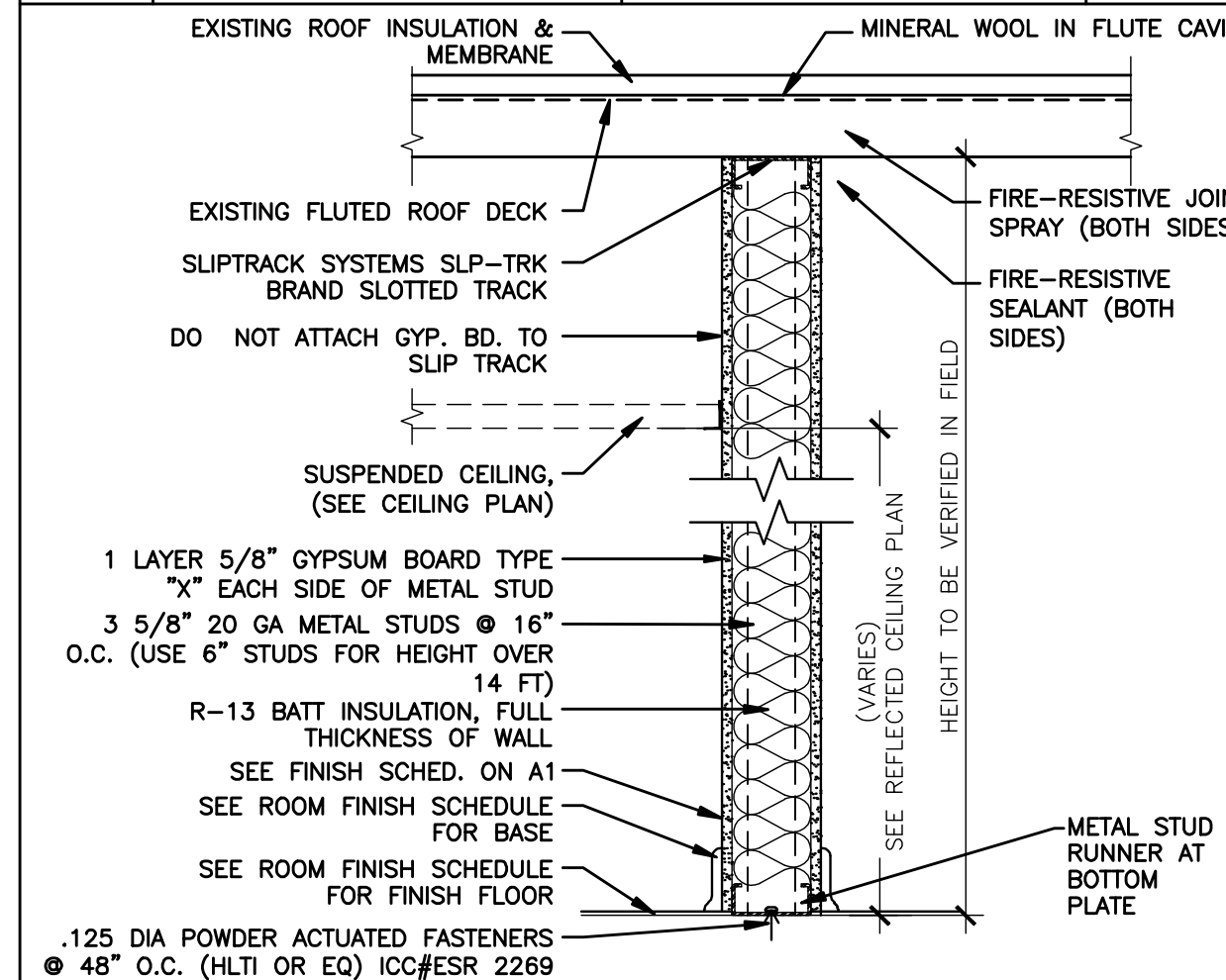
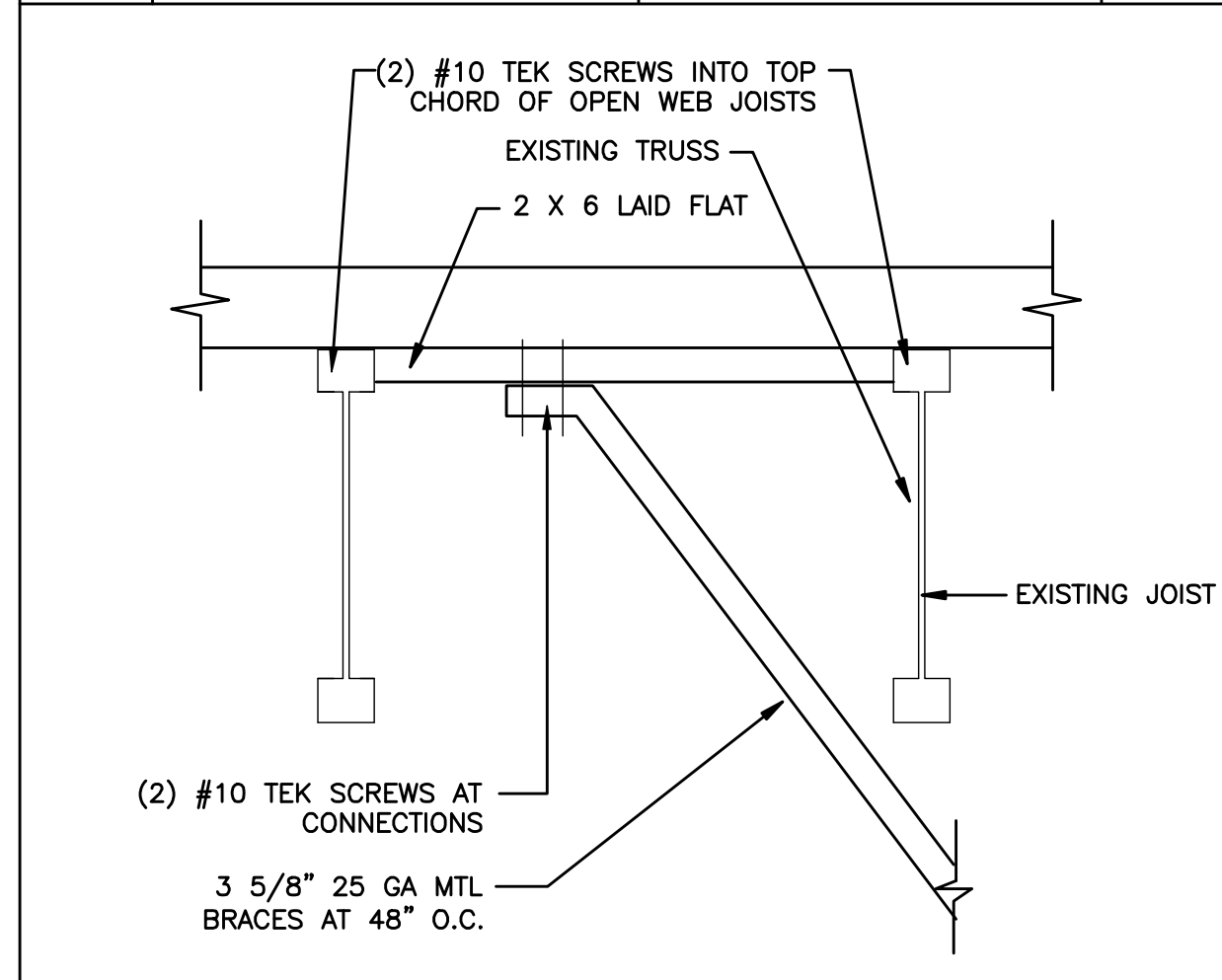


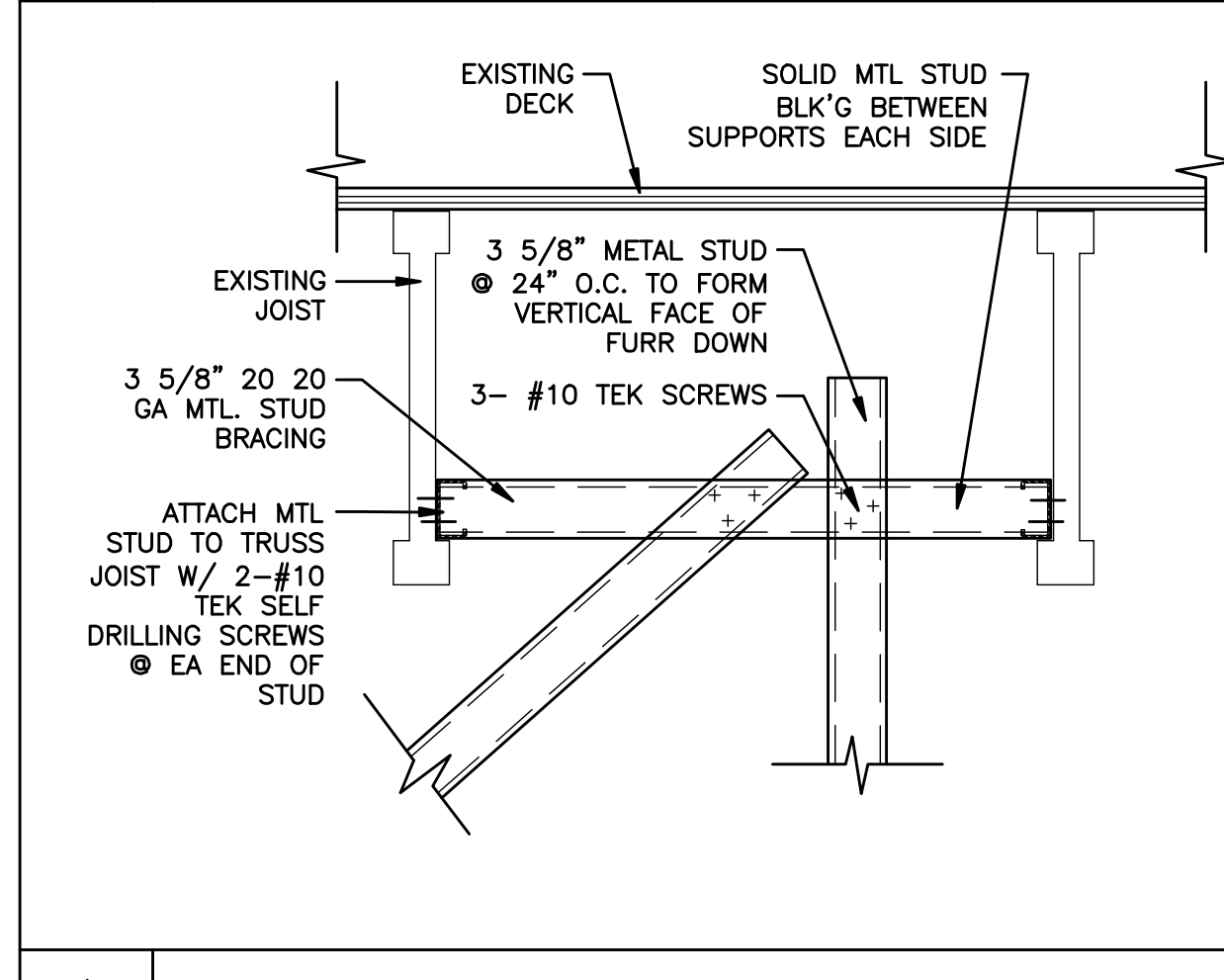
1 WALL PARTITION NTS



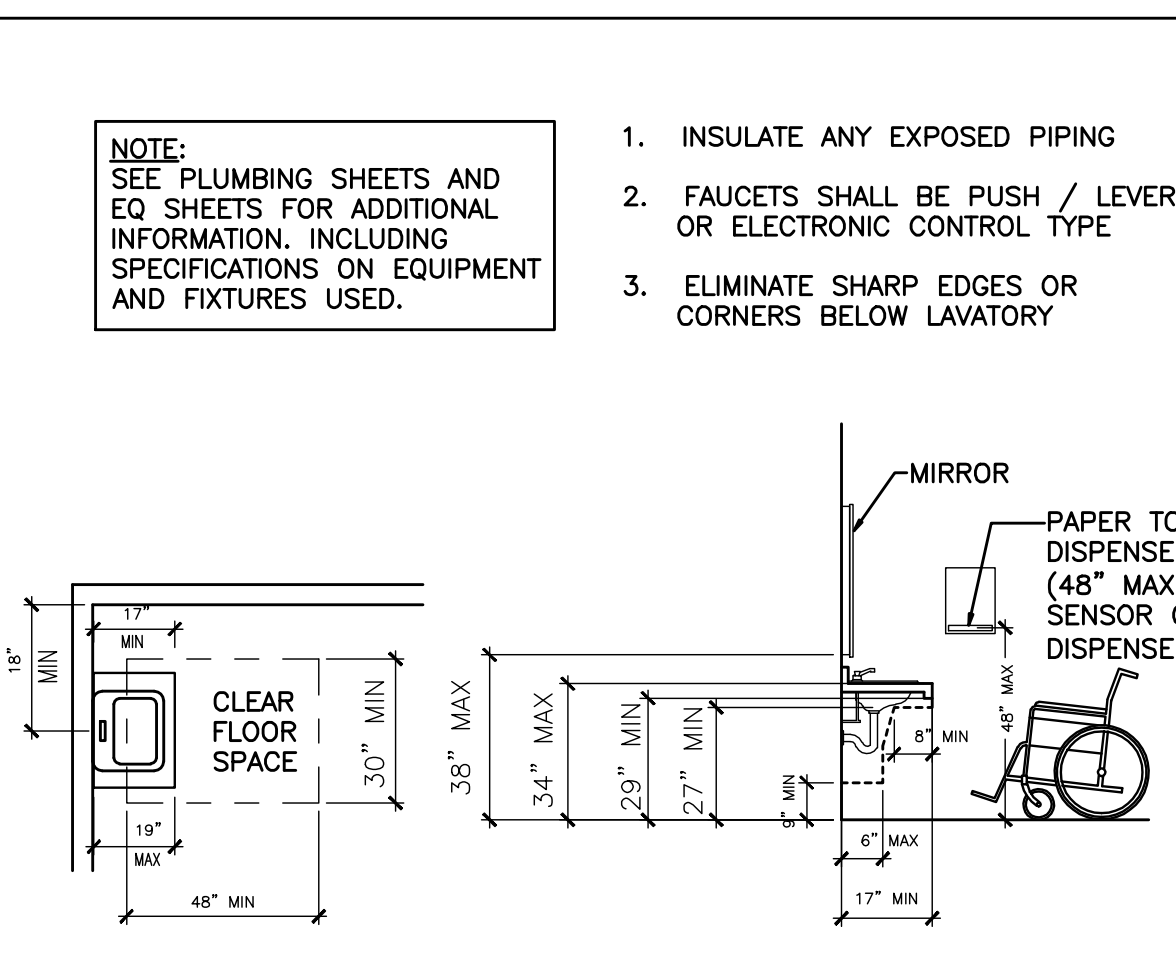
2 1 HR RATED WALL ASSEMBLY NTS



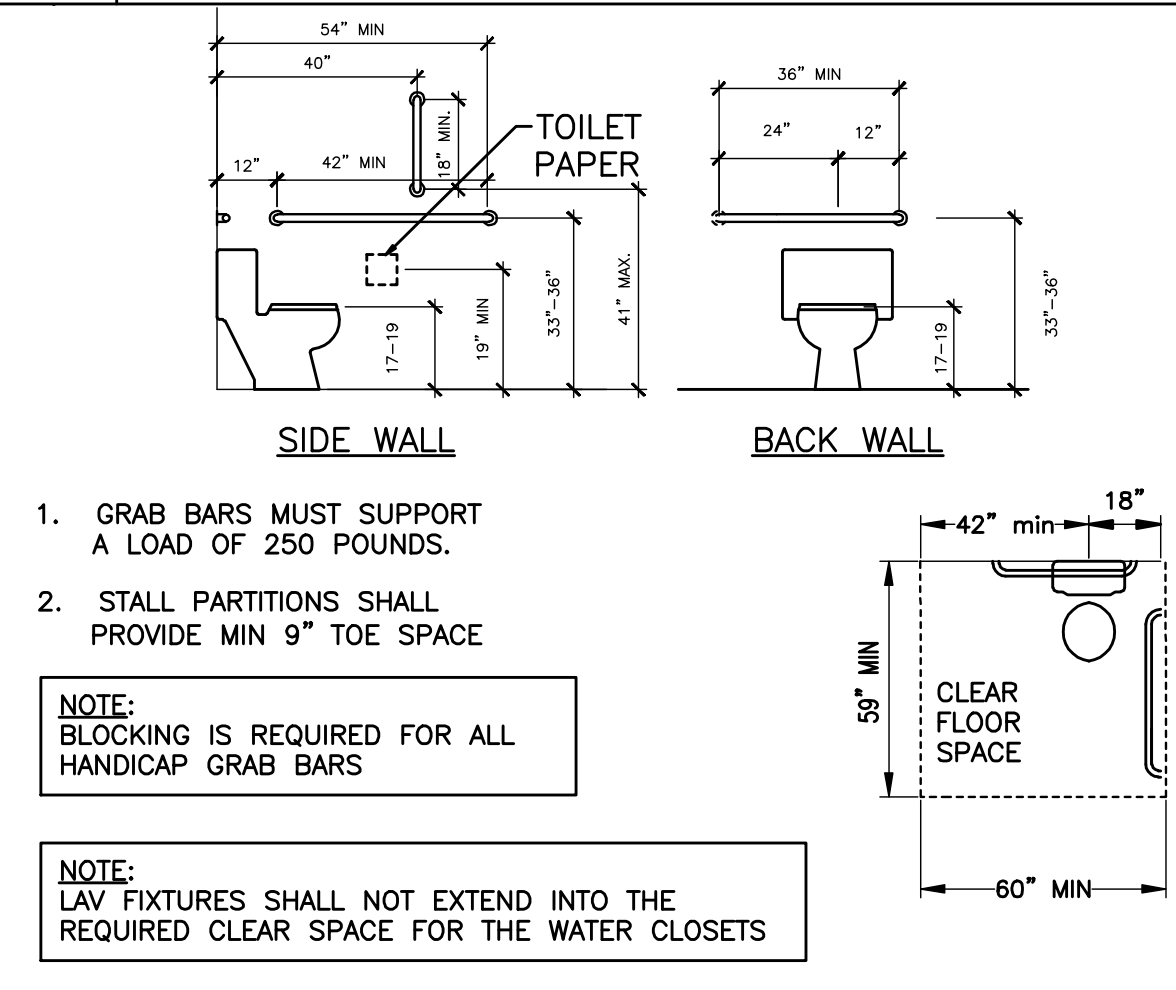
3 BRACE AT DECK NTS



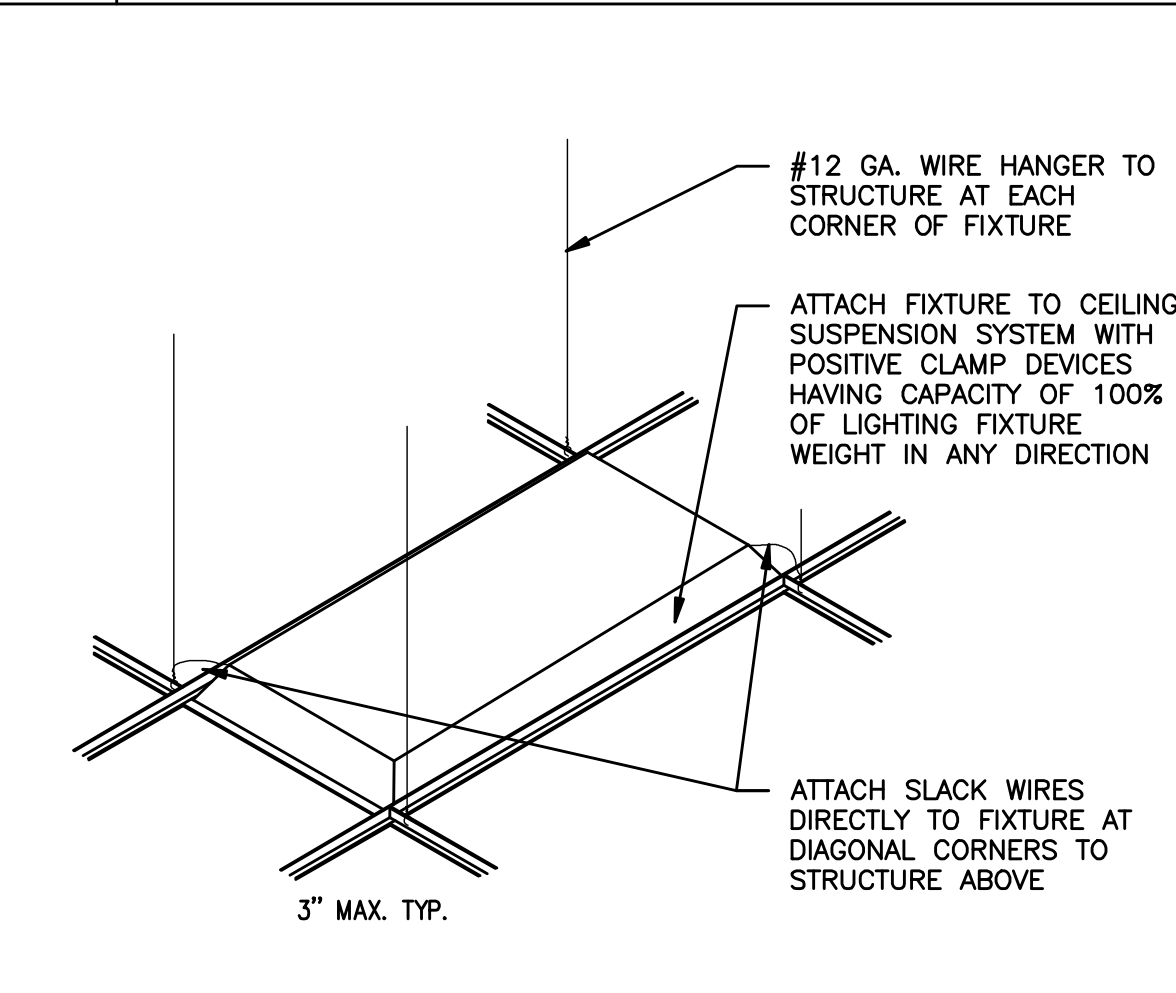
4 BRACE AT ROOF FRAMING NTS



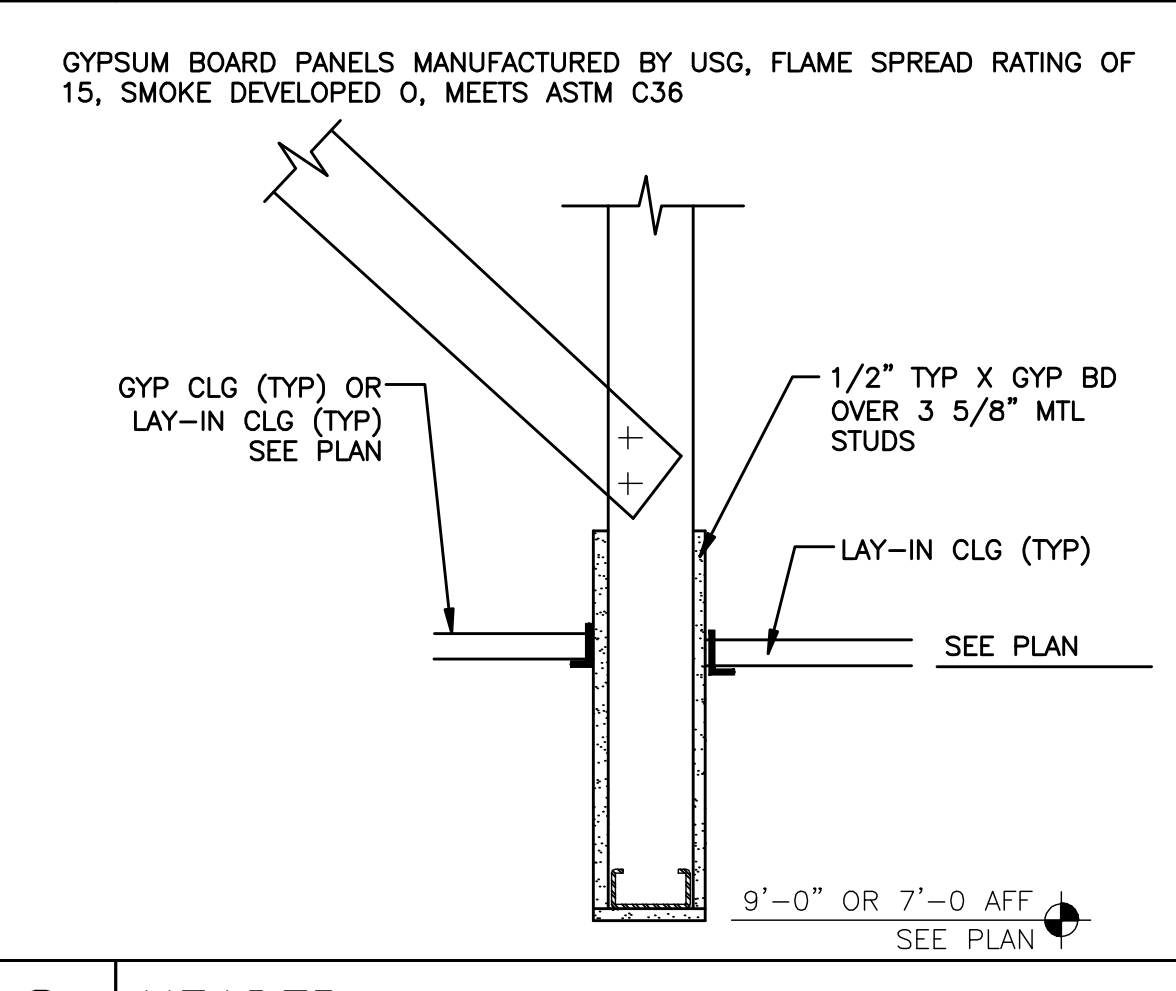
5 LAV REQ'D CLEARANCES N.T.S.



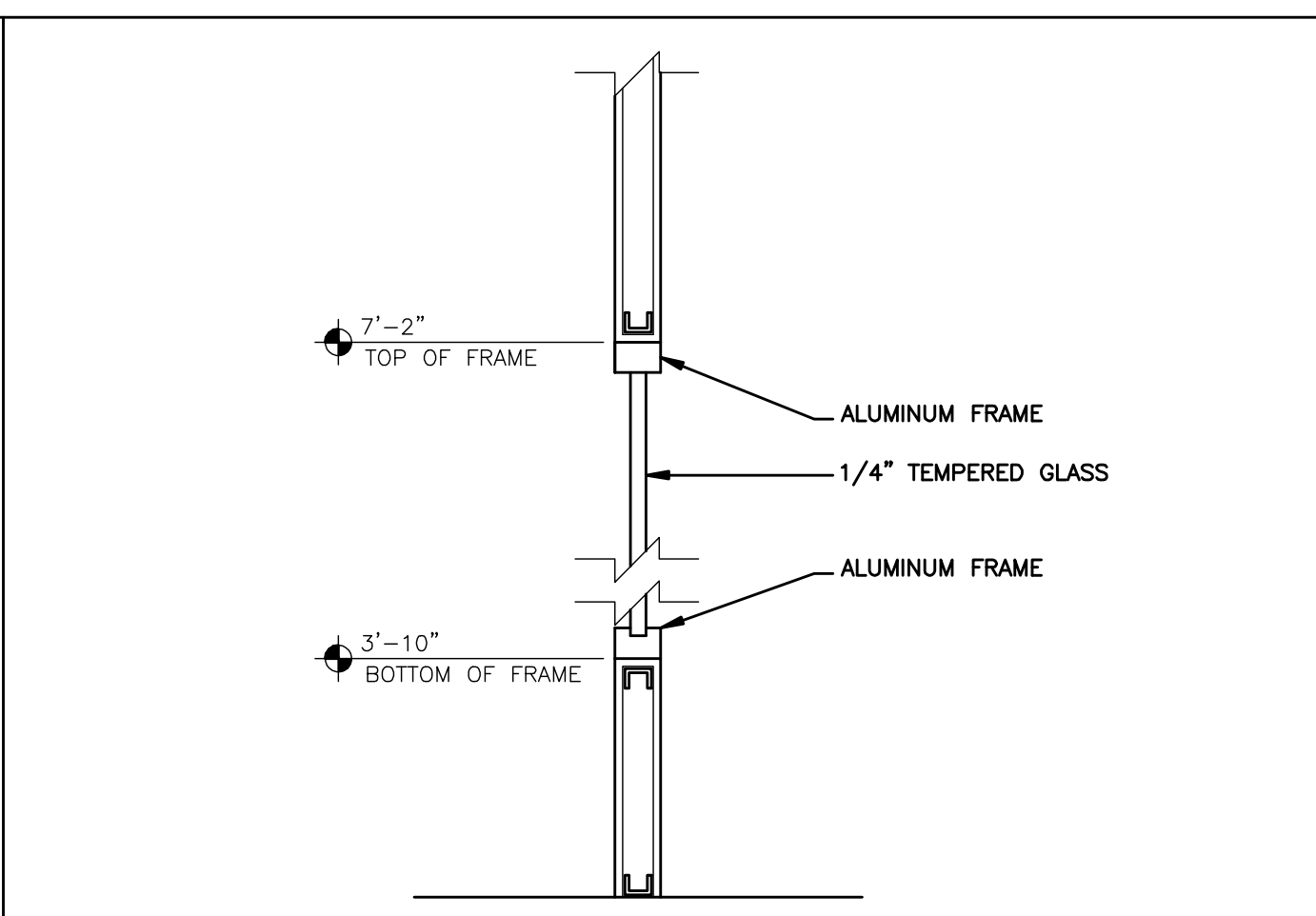
6 REST ROOM CLEARANCES N.T.S.



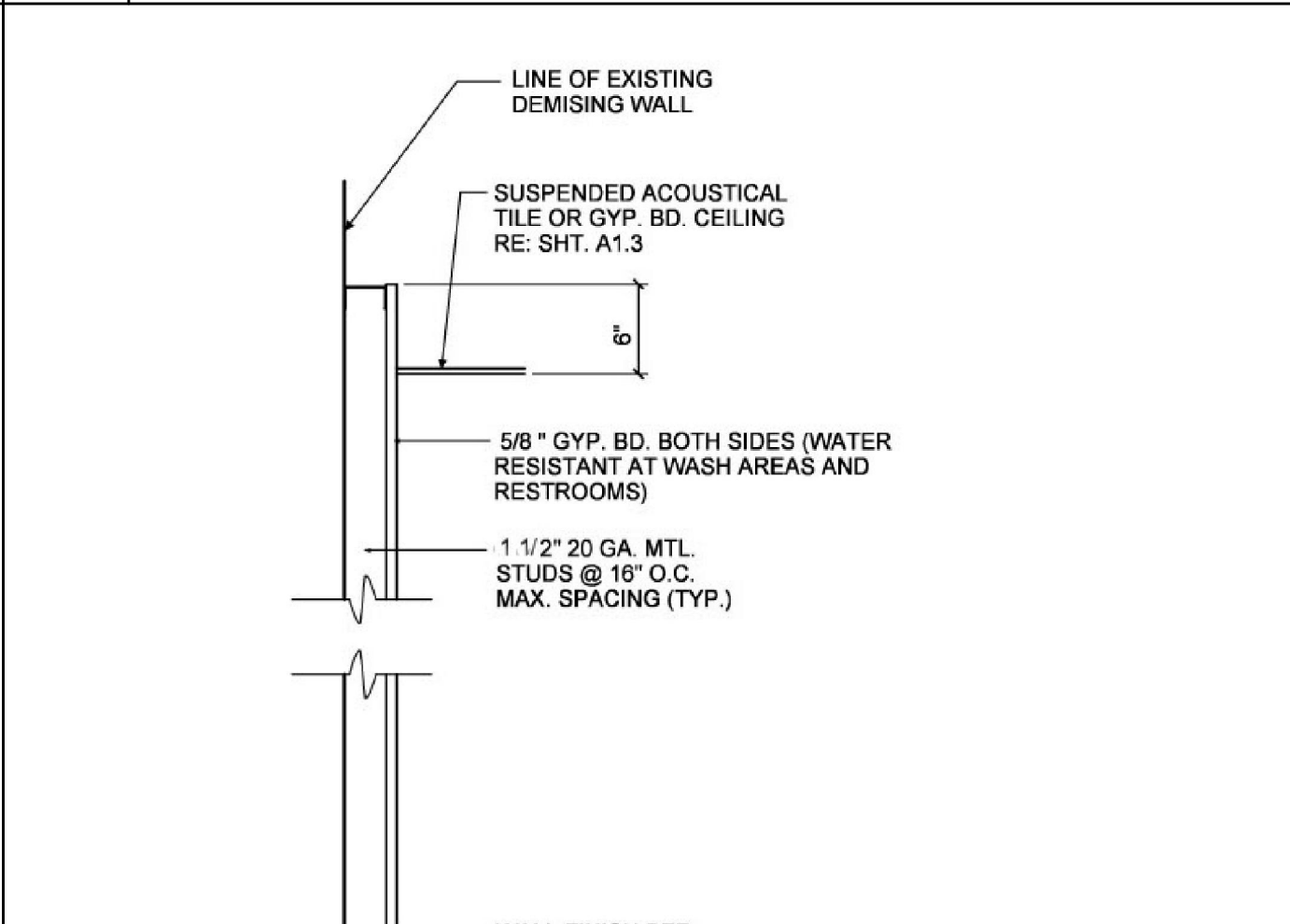
7 LIGHT FIXTURE BRACING SCALE: NONE



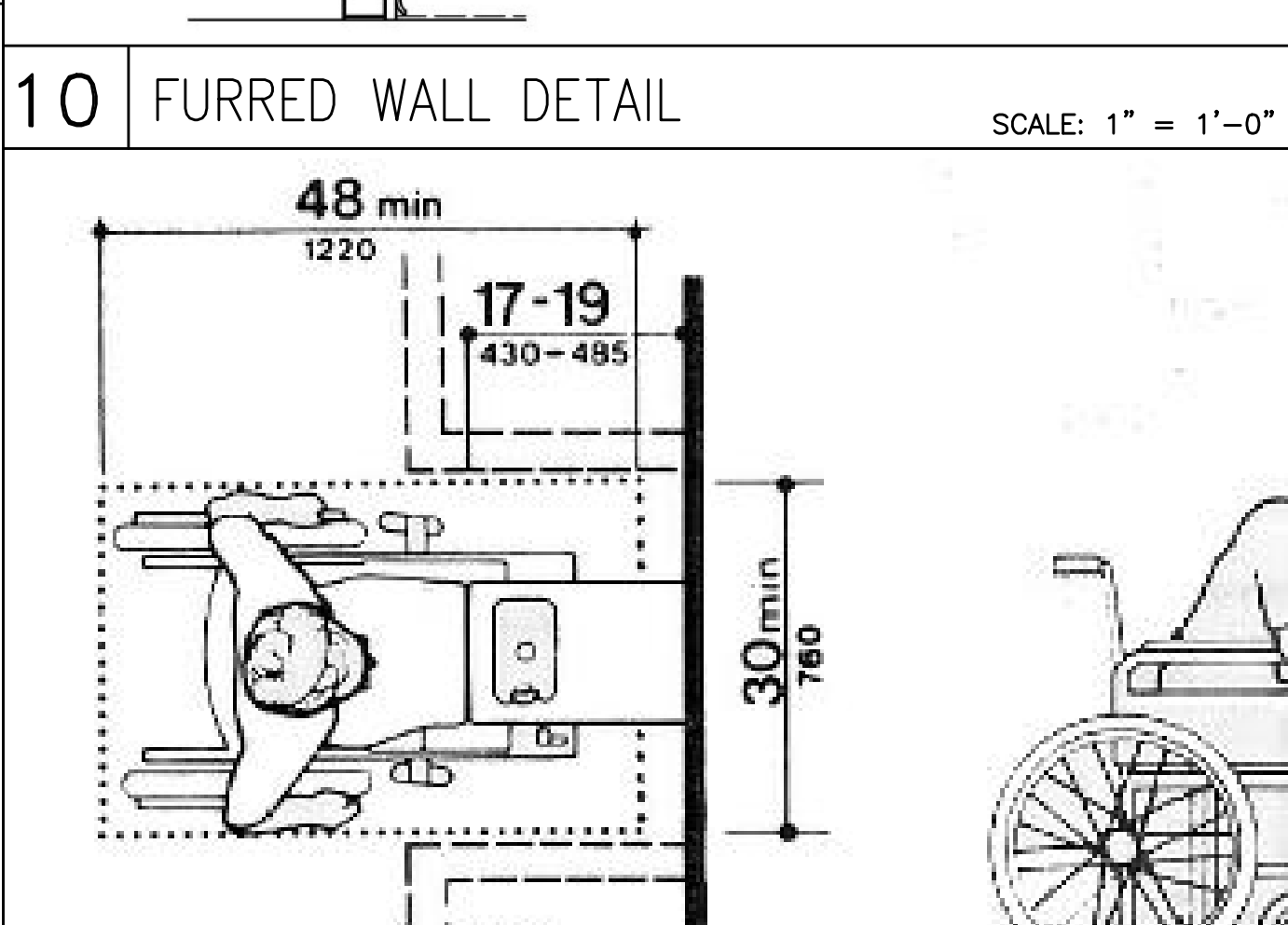
8 HEADER N.T.S.



9 TYP. GLAZING DETAIL SCALE: 1" = 1'-0"



10 FURRED WALL DETAIL SCALE: 1" = 1'-0"



11 ADA DRINKING FOUNTAIN SCALE: 3/4" = 1'-0"

4.15.3 Spout Location. The spouts of drinking fountains and water coolers shall be at the front of the unit and shall direct the water flow in a trajectory that is parallel or nearly parallel to the front of the unit. The spout shall provide a flow of water at least 4 in (100 mm) high so as to allow the insertion of a cup or glass under the flow of water. On an accessible drinking fountain with a round or oval bowl, the spout must be positioned so the flow of water is within 3 in (75 mm) of the front edge of the fountain.

4.15.4 Controls. Controls shall comply with 4.27.4. Unit controls shall be front mounted or side mounted near the front edge.

4.15.5 Clearances. (1) Wall- and post-mounted cantilevered units shall have a clear knee space between the bottom of the apron and the floor or ground at least 27 in (685 mm) high, 30 in (760 mm) wide, and 17 in to 19 in (430 mm to 485 mm) deep. Such units shall also have a minimum clear floor space 30 in by 48 in (760 mm by 1220 mm) to allow a person in a wheelchair to approach the unit facing forward.

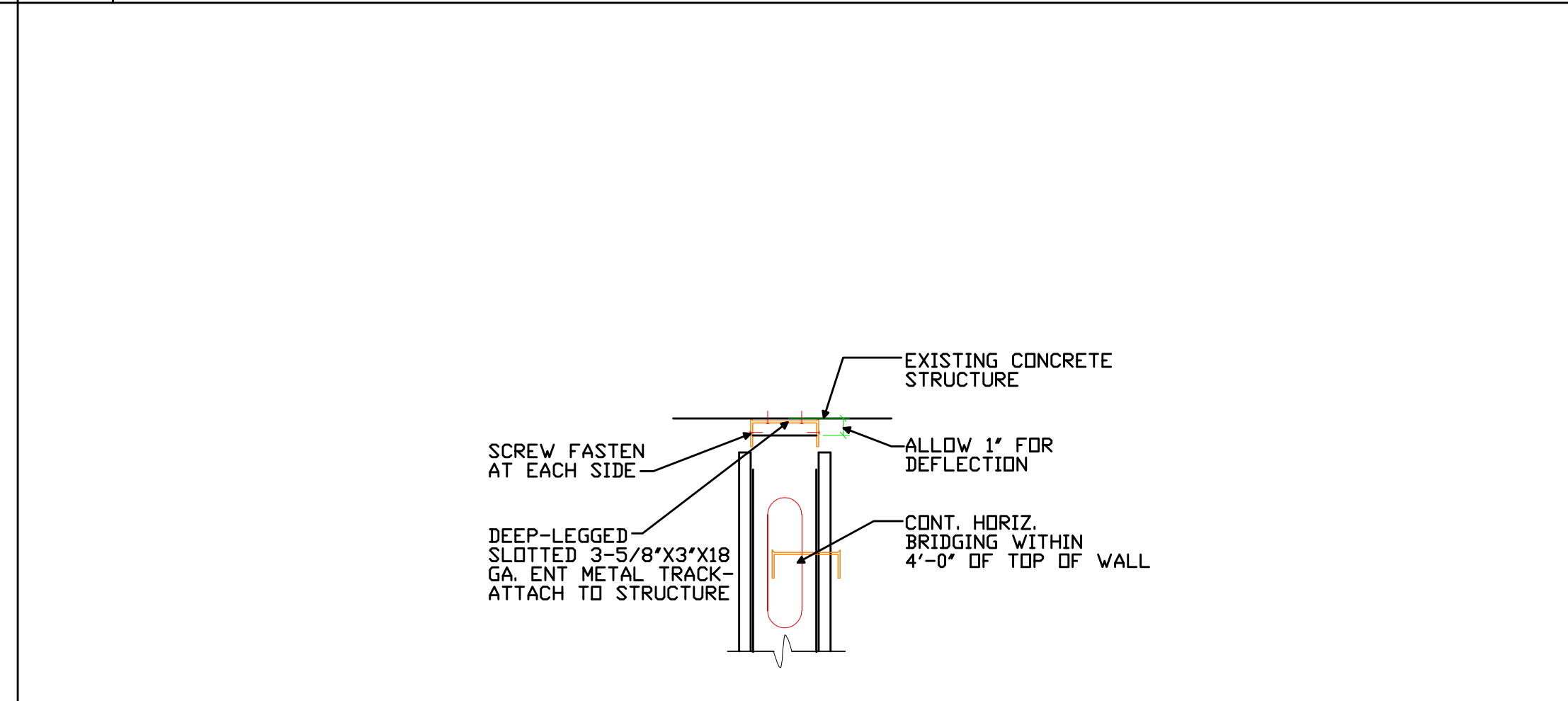
A. TABLE BELOW IS BASED ON UNIVERSAL INDUSTRIES, UNIMAST (USG) CORPORATION'S LIMITING HEIGHT TABLE FOR EMBRACED STUDS SPACED 16" AND 24" O.C. (SYSTEM FOLDER SA-923-1990 EDITION), REQUIREMENT FOR 5 PSF LATERAL PRESSURE AND 1/240 ALLOWABLE DEFLECTION FOR FLEXIBLE FINISHES, WITH 1 LAYER OF GYP. BD. PER SIDE OF STUD.

B. SCHEDULED HEIGHTS MAY BE INCREASED BY 50% WHERE THE STUDS ARE DIAGONALLY BRACED AT THE MAXIMUM HEIGHT POINT TO THE STRUCTURE ABOVE @ 4'-0" O.C.

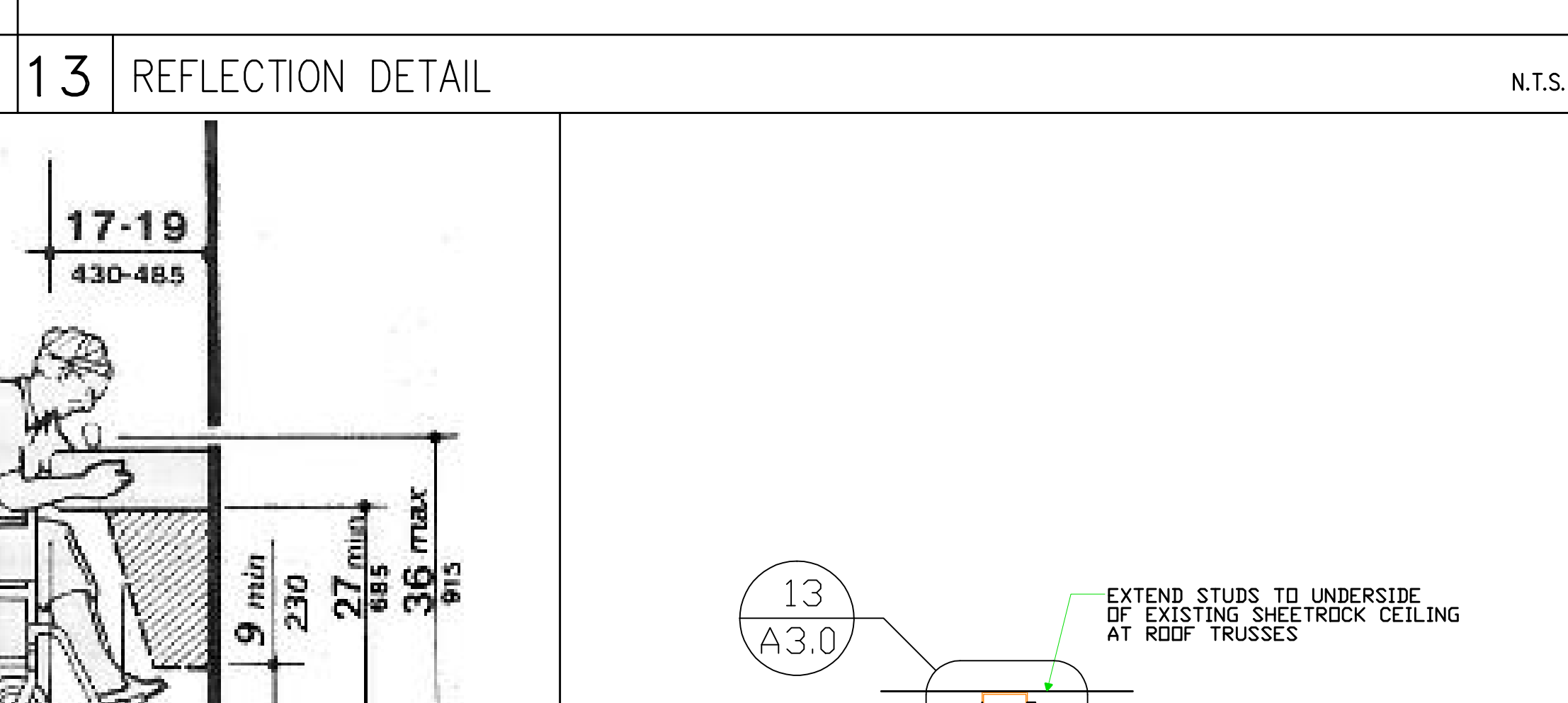
C. CAUTION! WHEN USING STUDS MANUFACTURED BY A COMPANY OTHER THAN USG, VERIFY MANUFACTURERS STUD STRENGTH AND LIMITING HEIGHT. ADJUST GAUGE AND MAXIMUM HEIGHT RECOMMENDED BY MANUFACTURER'S CURRENT PRINTED SPECIFICATION.

STUD WIDTH	STUD TYPE	STUD GAUGE	STUD SPACING	MAXIMUM HEIGHT
1-5/8"	158ST25	25	16"	9'-6"
	158ST25	25	24"	7'-3"
2-1/2"	212ST25	25	16"	12'-6"
	212ST25	25	24"	10'-9"
	212ST22	22	16"	13'-0"
	212ST22	22	24"	11'-6"
	212ST20	20	16"	14'-0"
3-5/8"	358ST25	25	16"	16'-0"
	358ST25	25	24"	13'-6"
	358ST22	22	16"	17'-3"
	358ST22	22	24"	15'-0"
	358ST20	20	16"	18'-3"
6"	600ST25	25	16"	20'-0"
	600ST25	25	24"	15'-0"

12 STUD GAUGE SCHEDULE N.T.S.



13 REFLECTION DETAIL N.T.S.



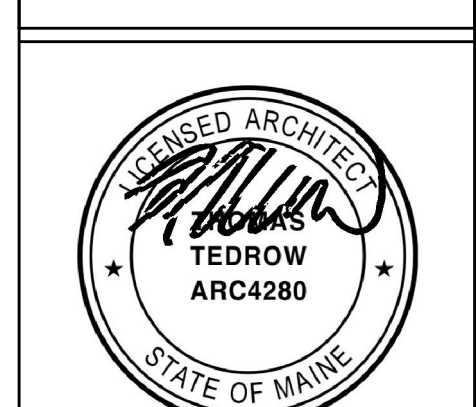
14 WALL TYPE '5/A1.0' N.T.S.

THE CONTENTS OF THIS DRAWING WILL REMAIN THE PROPERTY OF TEDROW DESIGN GROUP, PC. ITS CONTENTS INCLUDING ALL INFORMATION, SHALL NOT BE REPRODUCED OR TRANSMITTED IN ANY FORM OR BY ANY MEANS WITHOUT THE WRITTEN CONSENT AND/OR PERMISSION FROM TEDROW DESIGN GROUP, PC.

WORKOUT ANYTIME

Pine Tree Shopping Center
1100 Brighton Avenue
Unit 12
Portland, ME 04102

Thomas F. Tedrow, AIA
2866 Adams Brook Way
Snellville, Georgia 30078
Phone. 678.777.9548



NO.	DATE	DESCRIPTION

ISSUE DATE: 08-24-15
RELEASED FOR CONSTRUCTION
DETAILS

A3.0