

LIGHTING FIXTURE SCHEDULE

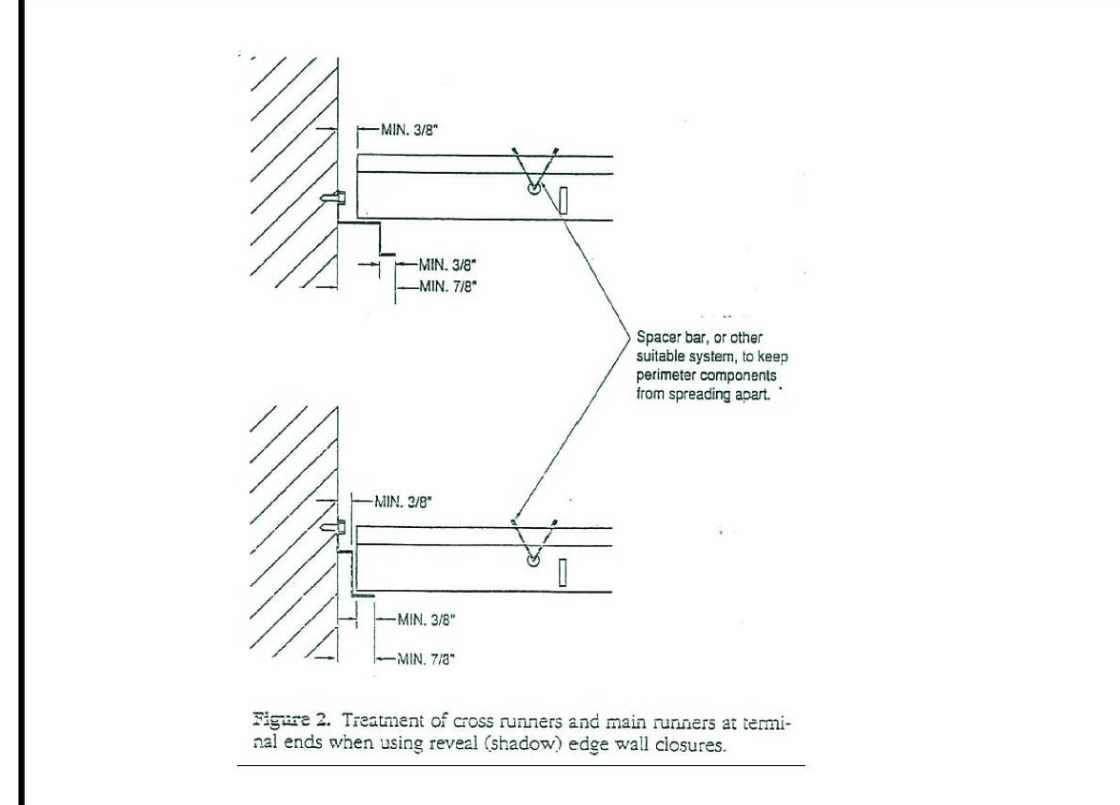
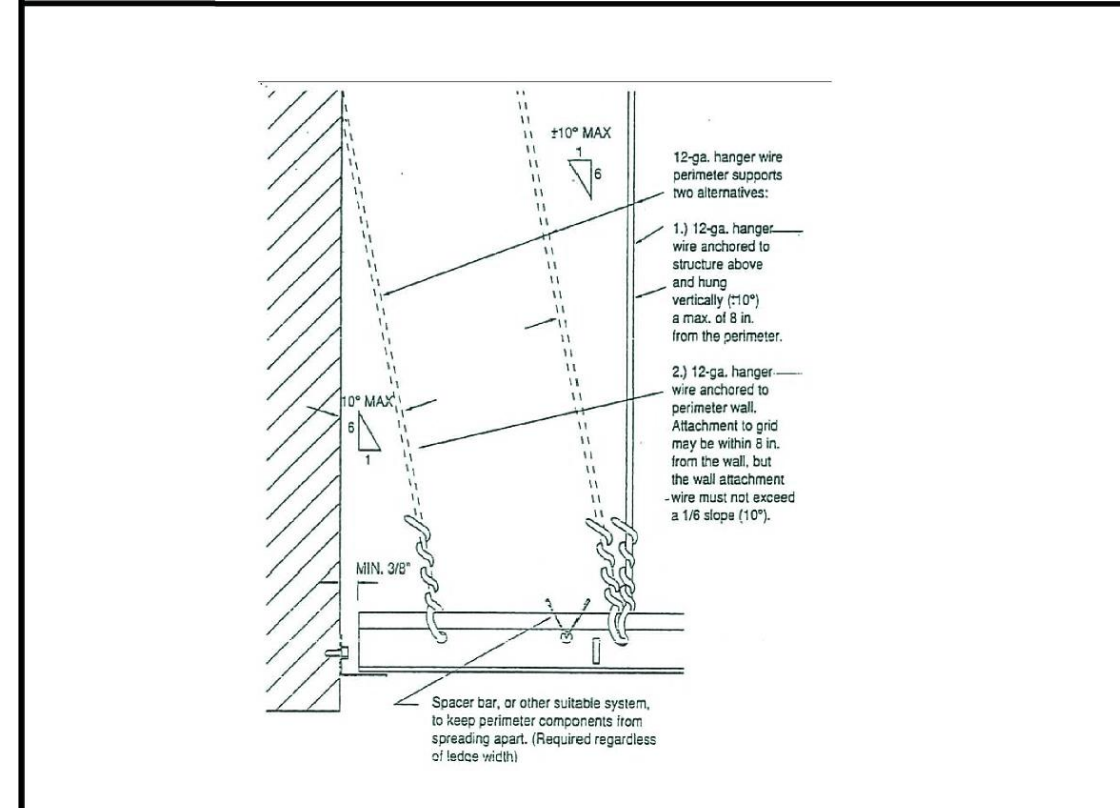
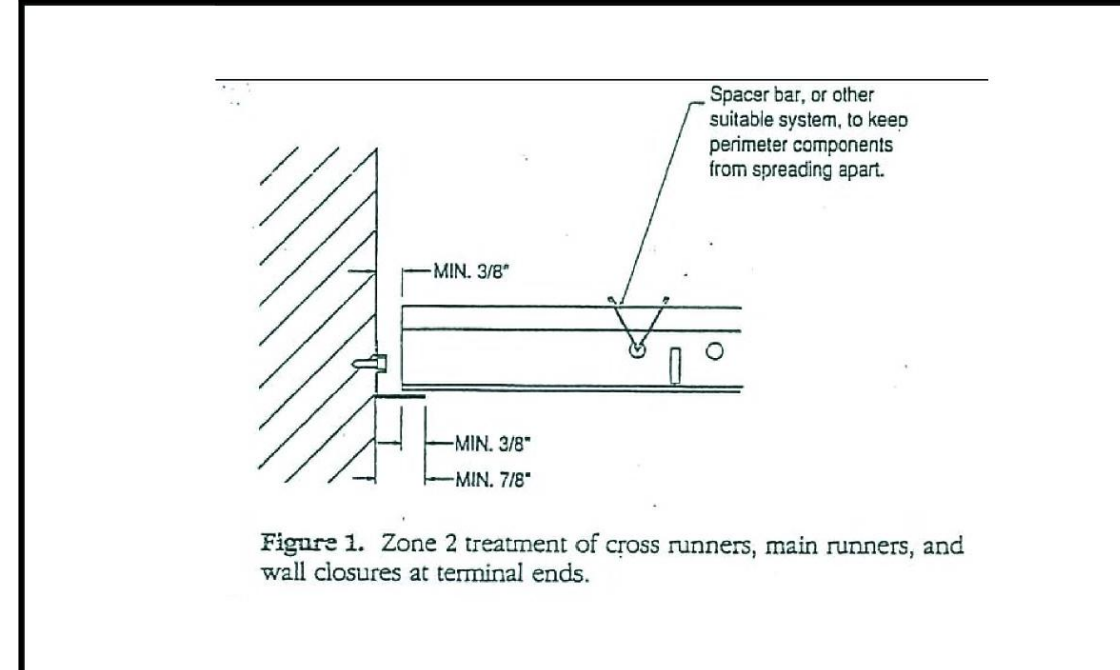
SYMBOL	QUANTITY	DESCRIPTION
A	31	RETAIL/SUPER CENTER FIXTURE, MANUFACTURER: FLUID, STYLE/MODEL #: FL108
B	8	RECESSED DOWNLIGHT WITH LENS, MANUFACTURER: PORTFOLIO, STYLE/MODEL #: G0425-608 ILI-I
C	10	RECESSED DOWNLIGHT, MANUFACTURER: PORTFOLIO, STYLE/MODEL #: C6042E-600 ILI-I
D	17	RECESSED 2'x4' - ACRYLIC LENS, MANUFACTURER: METALUX, STYLE/MODEL #: 2GC8-332A-UNV-EB8I-U
E	0	RECESSED 2'x2' - ACRYLIC LENS, MANUFACTURER: METALUX, STYLE/MODEL #: 2GC8-332A-UNV-EB8I-U
EX	5	EMERGENCY EXIT LIGHT - SEE ELECTRICAL SHEETS FOR SPECIFICATIONS

CEILING SCHEDULE

- OPEN CEILING PAINTED SHERWIN WILLIAMS - WORKOUT ANYTIME DARK GRAY - SW6255
- 2'x2' LAY-IN CEILING
- 'GREEN BOARD' GYPSUM BOARD
- GYPSUM BOARD CEILING

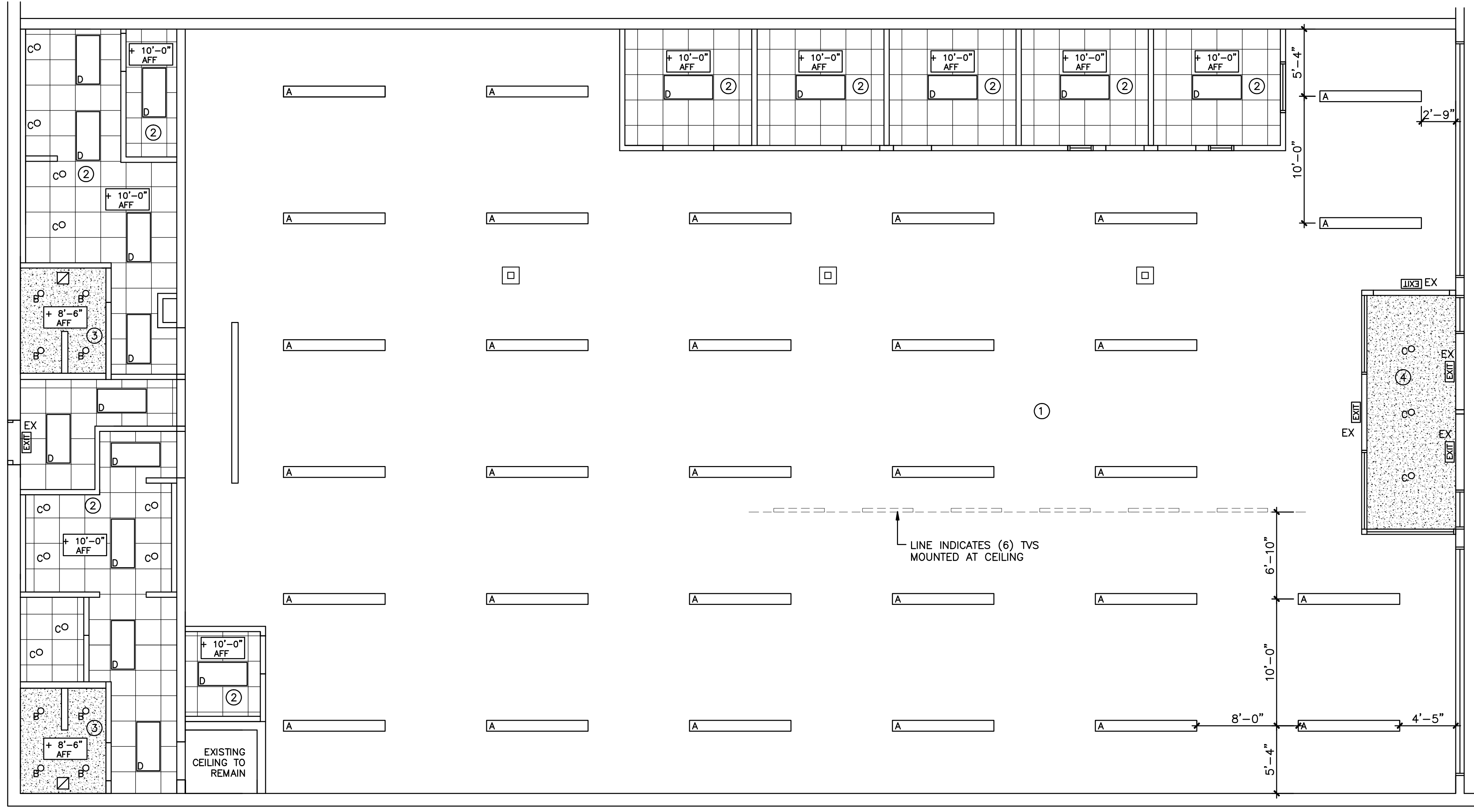
REFLECTED CEILING PLAN NOTES

- TENANT & GC TO LOCATE & APPROVE EXACT LOCATION & WIRING OF LOW VOLTAGE SPEAKERS & SECURITY CAMERA. PRIOR TO INSTALL - THESE DOCUMENTS ARE USED FOR REFERENCE ONLY & FINAL PLACEMENT OF CAMERAS & SPEAKERS MUST BE APPROVED BY TENANT & COORDINATED BY INSTALLING CONTRACTOR.
- GC IS RESPONSIBLE FOR ALL LOW VOLTAGE EQUIPMENT WHICH INCLUDES BUT IS NOT LIMITED TO ALL AUDIO/VIDEO, MICROS, CAT 5, AND SPEAKERS.
- SEE ELECTRICAL SHEETS FOR LIGHTING SPECIFICATIONS AND EMERGENCY LIGHT PACK LOCATIONS.
- ROOMS TO HAVE OCCUPANCY/MOTION CENTERS OR DUAL SWITCHING IN COMPLIANCE WITH THE INTERNATIONAL ENERGY CONSERVATION CODE.
- SEE MECHANICAL FOR LOCATIONS OF DIFFUSERS.



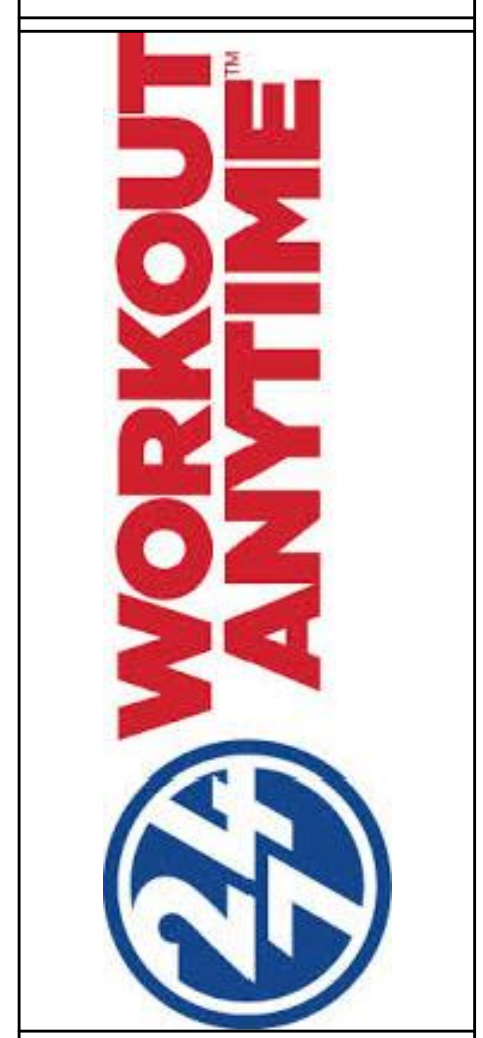
1 REFLECTED CEILING DETAIL
A2.0 SCALE: N.T.S.

NOTE: GC TO INSULATE ABOVE CEILING TILE WITH R-11 BATT INSULATION.
NOTE: INTERIOR PARTITIONS CAN NOT CONNECT TO THE CEILING GRID. SEISMIC DESIGN CATEGORY C IS TYPICAL FOR MOST OCCUPANCIES.



REFLECTED CEILING PLAN
SCALE: 3/16" = 1'-0"

THE CONTENTS OF THIS DRAWING WILL REMAIN THE PROPERTY OF TEDROW DESIGN GROUP, PC. ITS CONTENTS INCLUDING ALL INFORMATION, SHALL NOT BE REPRODUCED OR TRANSMITTED IN ANY FORM OR BY ANY MEANS WITHOUT EXPRESS WRITTEN CONSENT AND/OR PERMISSION FROM TEDROW DESIGN GROUP, PC.



Pine Tree Shopping Center
1100 Brighton Avenue
Unit 12
Portland, ME 04102

Thomas F. Tedrow, AIA
2866 Adams Brook Way
Snellville, Georgia 30078
Phone. 678.777.9548



REV. NO.	DATE	DESCRIPTION
1		

ISSUE DATE: 08-24-15
RELEASED FOR CONSTRUCTION

REFLECTED CEILING PLAN
A2.0