

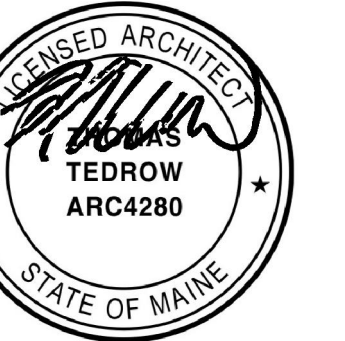
THE CONTENTS OF THIS DRAWING WILL REMAIN THE PROPERTY OF TEDROW DESIGN GROUP, P.C. ITS CONTENTS INCLUDING ALL INFORMATION, SHALL NOT BE REPRODUCED USING ANY MEANS WITHOUT EXPRESSED WRITTEN CONSENT AND/OR PERMISSION FROM TEDROW DESIGN GROUP, P.C.

WORKOUT ANYTIME

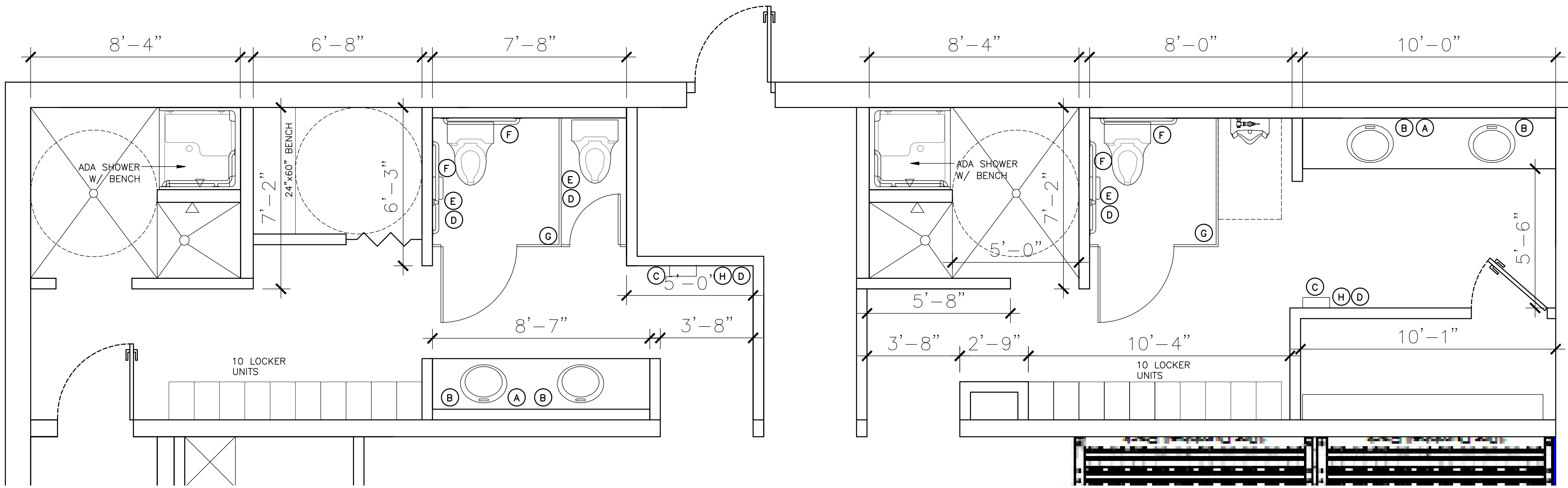


Pine Tree Shopping Center
1100 Brighton Avenue
Unit 12
Portland, ME 04102

Thomas F. Tedrow, AIA
2866 Adams Brook Way
Snellville, Georgia 30078
Phone. 678.777.9548



RELEASED FOR CONSTRUCTION
ISSUE DATE: 08-24-15
ENLARGED RR & EGRESS PLAN

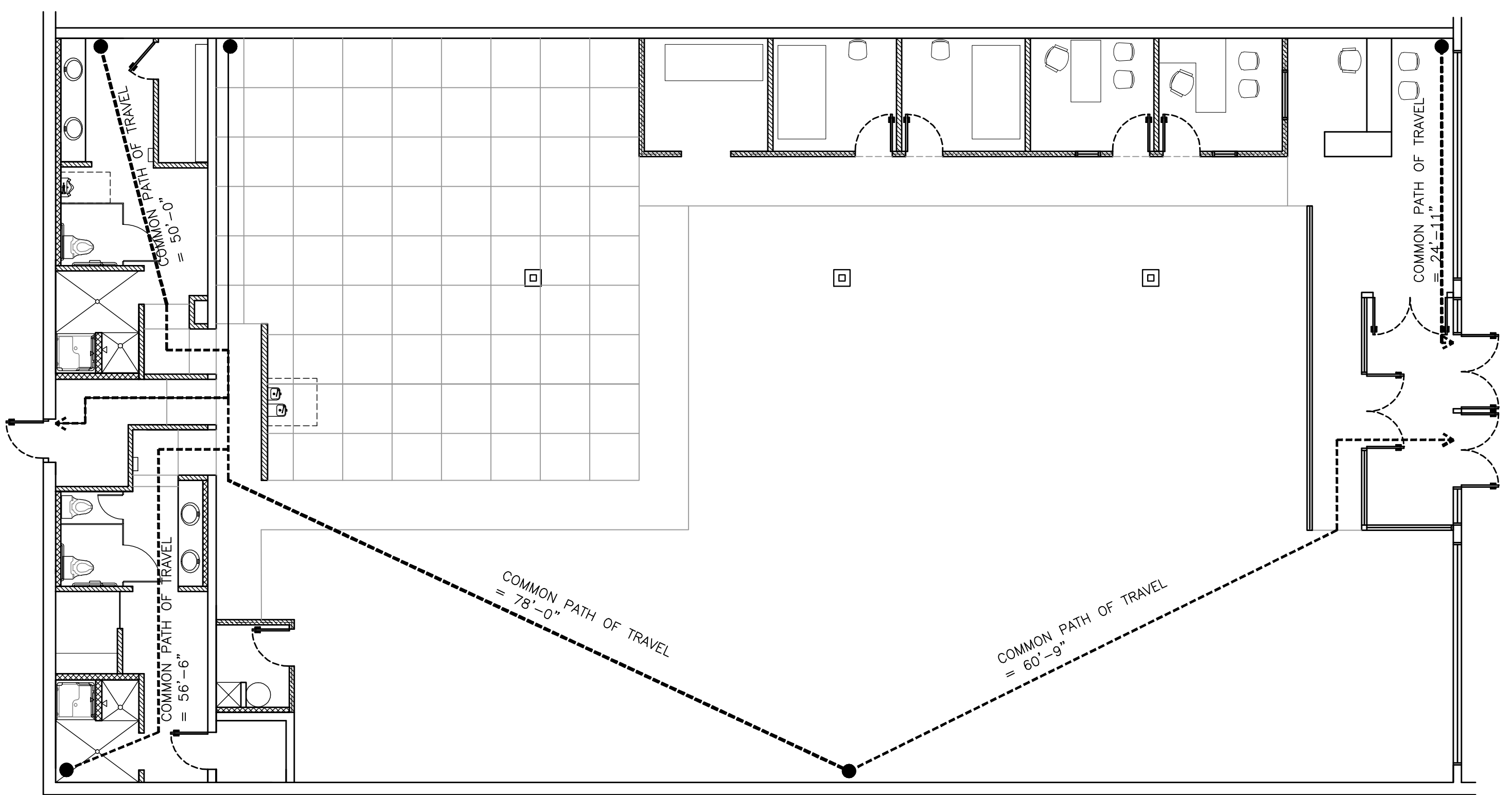


TOILETROOM ACCESSORIES SCHEDULE

BASE ON * BOBRICK * HEAVY DUTY COMMERCIAL (A.D.A.)
 1. PROVIDE REQUIRED WOOD BLOCKING FOR ALL WALL MOUNTED ITEMS.
 2. SCHEDULE IS NOT A MATERIAL LIST - REFERENCE DRAWINGS FOR REQUIRED MATERIALS.
 3. INSULATE EXPOSED DRAIN PIPE AND HOT WATER SUPPLY UNDER LAVATORY.

| | | |
|-------------------------------|-----------------------|---|
| (A) MIRROR AT LAVATORY | - BOBRICK, B-165 2436 | 24" H. x 36" H. W/ STAINLESS STEEL FRAMED EDGE. MOUNT BOTTOM OF MIRROR 40" MAX. A.F.F. & CENTERED ON LAV. |
| (B) SOAP DISPENSER | - BOBRICK, B-212 | (ALL PURPOSE SOAP) SURFACE MOUNTED STAINLESS STEEL DISPENSER. MOUNT OPERABLE PART AT 48" MAX. A.F.F. |
| (C) ELECTRIC HAND DRYER | | SURFACE MOUNTED STAINLESS STEEL. MOUNT BOTTOM OF AT 48" A.F.F. |
| (D) WASTE RECEPTACLE | - BOBRICK, B-219 | SURFACE MOUNTED STAINLESS STEEL RECEPTACLE. MOUNT TOP OF RECEPTACLE AT 36" A.F.F. |
| (E) TOILET TISSUE DISPENSER | - BOBRICK, B-686 | SURFACE MOUNTED STAINLESS STEEL DOUBLE ROLL DISPENSER. MOUNT CENTERLINE OF DISPENSER AT 19" MIN. A.F.F. & 36" MAX. FROM BACK WALL. |
| (F) STAINLESS STEEL GRAB BARS | | 1 1/4" DIA. x 36" LONG AT BACK & 42" LONG & SIDE OF WATER CLOSET. MOUNT CENTERLINE OF GRAB BARS AT 58" TO 56" A.F.F. |
| (G) METAL TOILET PARTITIONS | | FLOOR MOUNTED & OVERHEAD BRACED TYPE PARTITIONS, DOORS & URINAL SCREENS. BAKED ENAMEL FINISH. 24" H. DOORS FOR ORDINARY TOILET CUBICLES & 32" H. (CLEAR OPNG) DOORS FOR CUBICLES EQUIPPED FOR HANDICAPPED. PROVIDE MFG. STANDARD HARDWARE & ACCESSORIES. SUPPLIER TO FIELD VERIFY ALL DIMENSIONS. |
| (H) PAPER TOWEL DISPENSER | | SURFACE MOUNTED STAINLESS STEEL DISPENSER. MOUNT BOTTOM OF DISPENSER AT 48" A.F.F. |

ENLARGED RESTROOM PLAN
SCALE: 3/8" = 1'-0"



EGRESS PLAN
SCALE: 1/8" = 1'-0"

PER SECTION 1008.1.9:
 • EXCEPT AS SPECIFICALLY PERMITTED BY THIS SECTION, EGRESS DOORS SHALL BE READILY OPENABLE FROM THE EGRESS SIDE WITHOUT THE USE OF A KEY OR SPECIAL KNOWLEDGE OR EFFORT. 1008.1.9 DOOR OPERATIONS.
 • DOOR HANDLES, PULLS, LATCHES, LOCKS AND OTHER OPERATING DEVICES ON DOORS REQUIRED TO BE ACCESSIBLE BY CHAPTER 11 SHALL NOT REQUIRE TIGHT GRASPING, TIGHT PINCHING OR TWISTING OF THE WRIST TO OPERATE. 1008.1.9.1 HARDWARE.

TOTAL OCCUPANT LOAD: 125

