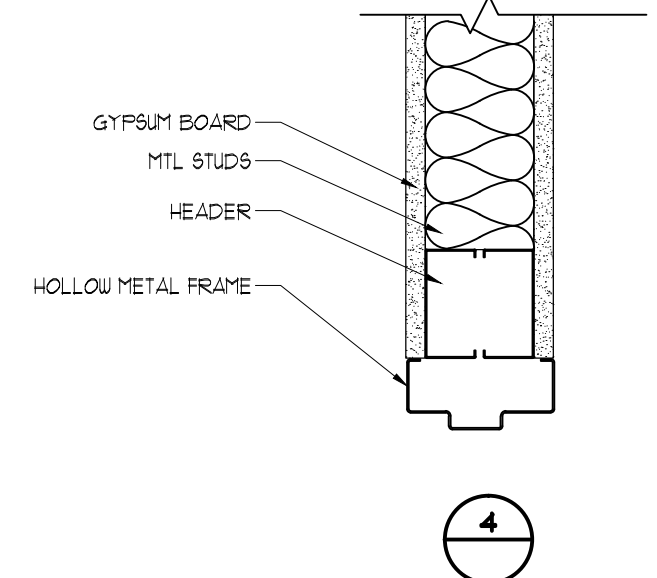
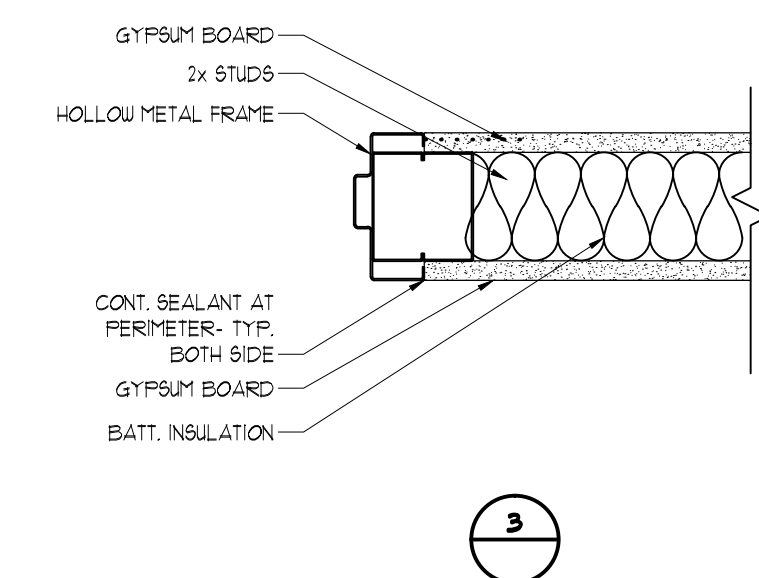
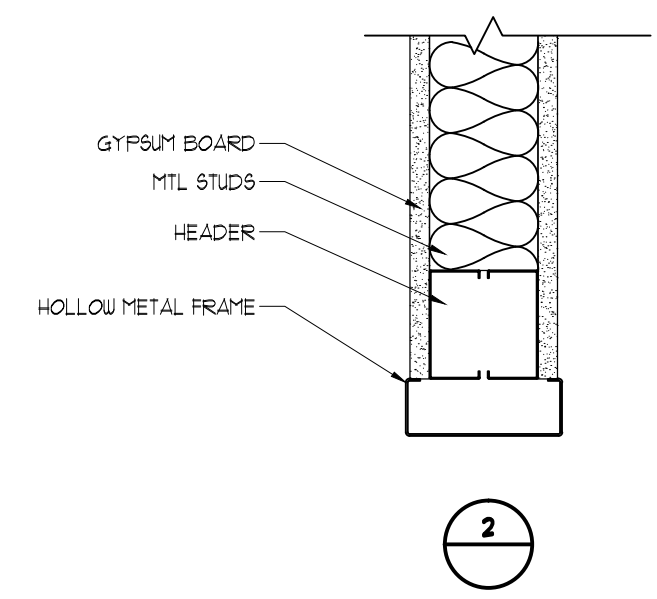
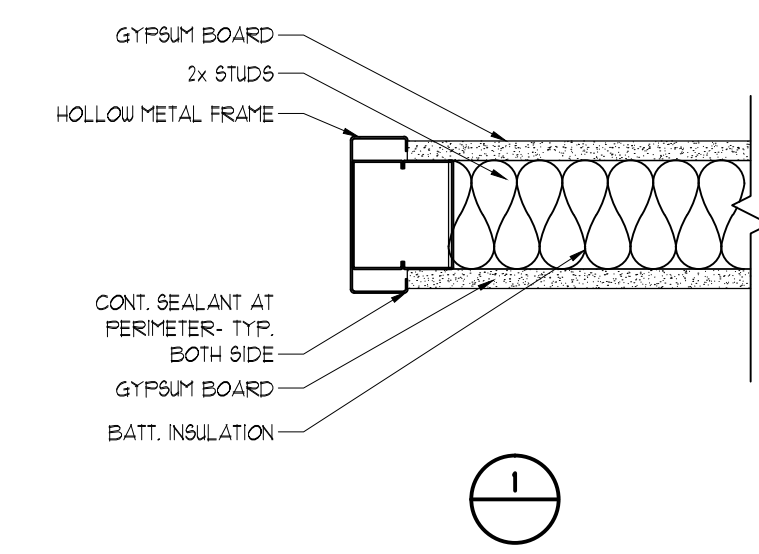
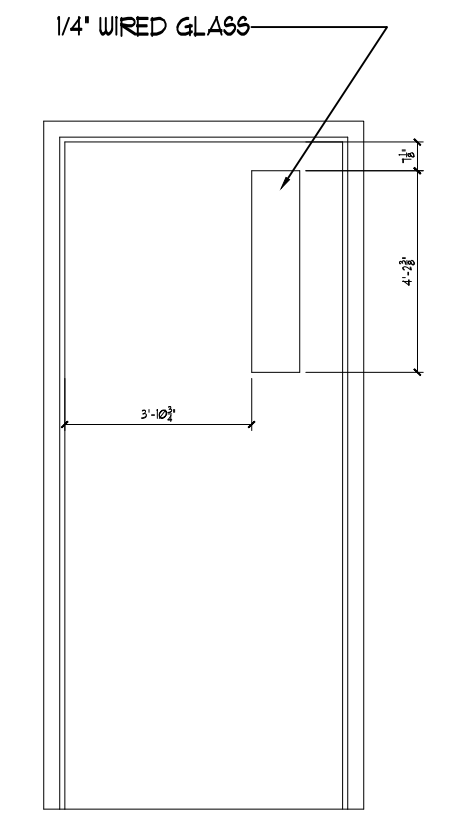
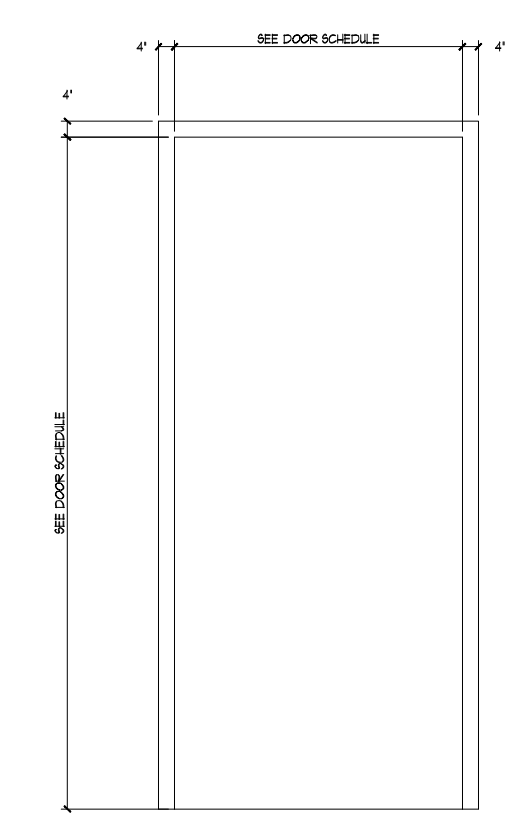


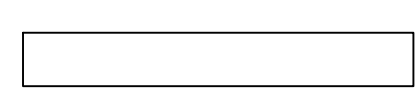
Renovations to space 8
 Located at the Pine Tree Mall Portland, Maine
for Bath Fitter

BY	JJO				
DATE	08-09-13				
NO	A				
REMARKS	ISSUED FOR PERMITTING				
CODE:					
TOWN:	Portland				
DATE:	08-09-13				
SCALE:	AS NOTED				
DRAWN:	JJO				
TITLE:	Schedules & Details				
FILE:	001-016-09				
SHEET:	A1-03				

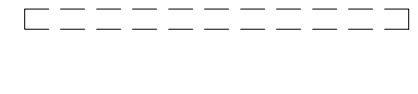
DOOR AND FRAME SCHEDULE														
No.	DOOR				FRAME				FIRE RATING LABEL	HARDWARE		NOTES		
	WD	HGT	THK	MATL	GLAZING	LOUVER	MATL	FI		HEAD	JAMB		SILI	SET NO.
001	3'-0"	7'-0"	2"	WOOD	--	0"	0"	HM	--	4	3	--	--	--
002	PR 2'-6"	7'-0"	1 3/4"	--	--	0"	0"	HM	--	4	3	--	--	--
003	3'-0"	7'-0"	2"	WOOD	--	0"	0"	HM	--	4	3	--	--	--
004	3'-0"	7'-0"	2"	WOOD	--	0"	0"	HM	--	4	3	--	--	--
005	3'-0"	7'-0"	2"	WOOD	--	0"	0"	HM	--	4	3	--	--	--
006	3'-0"	7'-0"	2"	WOOD	--	0"	0"	HM	--	4	3	--	--	--
007	3'-0"	7'-0"	2"	WOOD	--	0"	0"	HM	--	4	3	--	--	--
008	3'-0"	7'-0"	2"	WOOD	--	0"	0"	HM	--	4	3	--	--	--



SEATING & SPACE USE PLAN
 SCALE: 1/4"=1'-0"



EW 1. Existing Wall

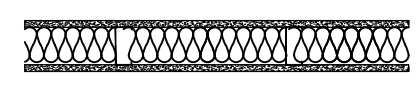


EUR 1. Existing Wall to be removed



W1 1 Hour Rated Wall Assembly
 Gypsum Board, Wood Studs, Insulation

- One layer 5/8" Type 'x' gypsum board applied parallel or at right angles to studs, 1-1/4" Types W drywall screws 12" O.C. @ ends.
- Roxul 'Comfort Batts' 5-1/2" thick R=23. (where shown)
- 2x4 wood studs @ 16' O.C.



W4 Unrated Wall Assembly
 Gypsum Board, Wood Studs, Insulation (where shown)

- One layer 5/8" Type 'x' gypsum board applied parallel to resilient channels 1" Types S drywall screws 12" O.C. @ intermediate furring channels and 6" O.C. @ ends.
- 3-1/2" sound insulation batts.
- 3 1/2" metal studs @ 16' O.C.



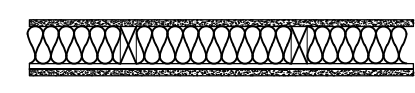
W2 2 Hour Rated Wall Assembly
 Gypsum Board, Wood Studs, Insulation

- Two layers 5/8" Type 'x' gypsum board applied parallel or at right angles to studs, 1-1/4" Types W drywall screws 12" O.C. @ ends.
- Roxul 'Comfort Batts' 5-1/2" thick R=23. (where shown)
- 2x4 wood studs @ 16' O.C.



W5 Unrated Wall Assembly
 Gypsum Board, Wood Studs, Insulation (where shown)

- One layer 5/8" Type 'x' gypsum board applied parallel to resilient channels 1" Types S drywall screws 12" O.C. @ intermediate furring channels and 6" O.C. @ ends.
- Roxul 'Comfort Batts' 5-1/2" thick R=23. (where shown)
- 2x4 wood studs @ 16' O.C.



W3 1 Hour Wall Assembly 50-54 STC
 Gypsum Board, Wood Studs, Resilient Channels, Insulation

- One layer 5/8" Type 'x' gypsum board applied parallel to resilient channels 1" Types S drywall screws 12" O.C. @ intermediate furring channels and 6" O.C. @ ends.
- Resilient furring channels applied at right angles to 2x6 wood studs @ 16' O.C. with ed coated nails, 1-7/8" long, ØØ25 shank 1/4" heads, two per joist.
- Roxul 'Comfort Batts' 5-1/2" thick R=23. (where shown)
- 2x4 wood studs @ 16' O.C.