

IF THIS SHEET IS NOT 24 X 36 IT IS A REDUCED SCALE PRINT - SCALE ACCORDINGLY

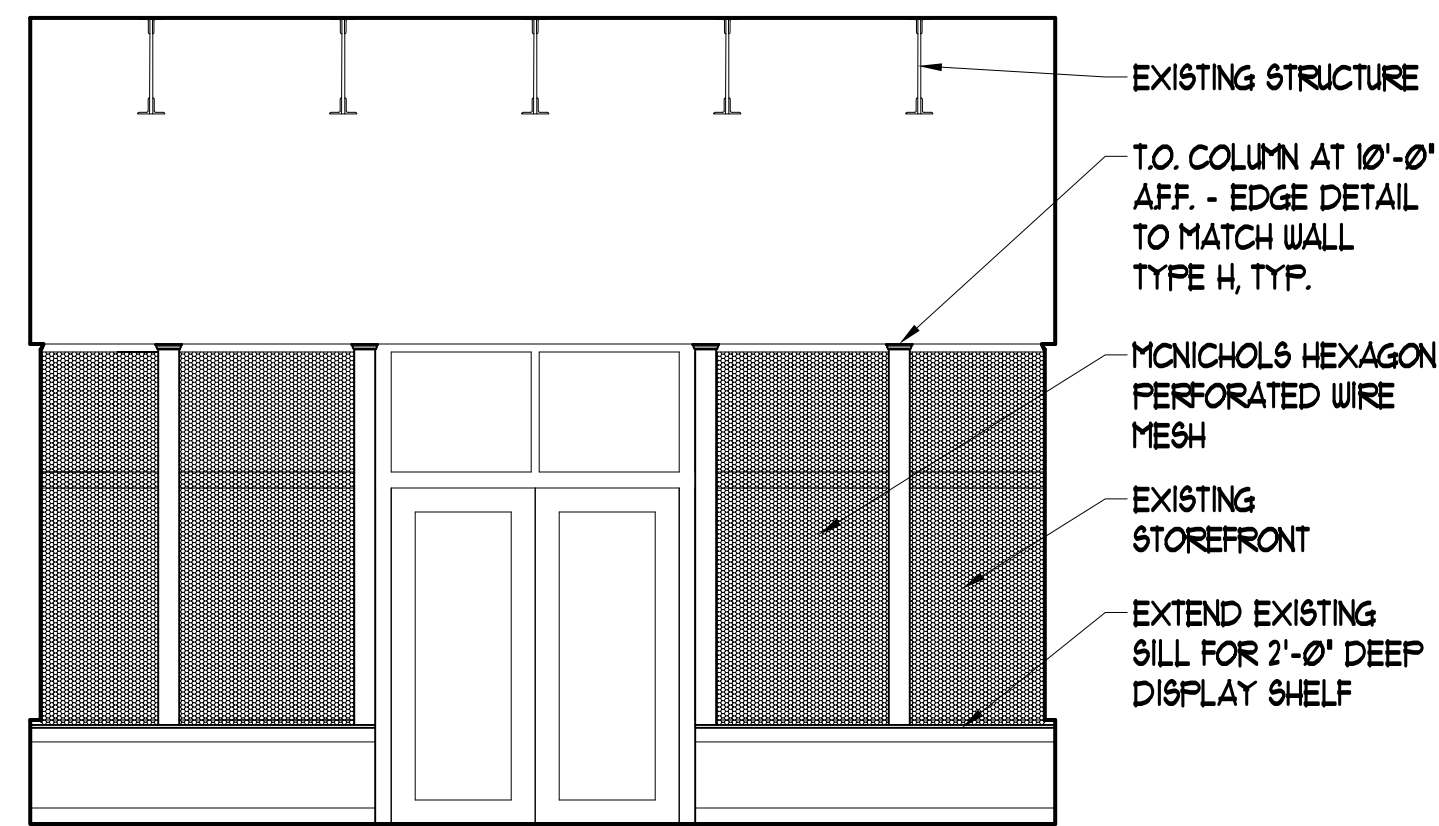


**MATERIALS KEY:**

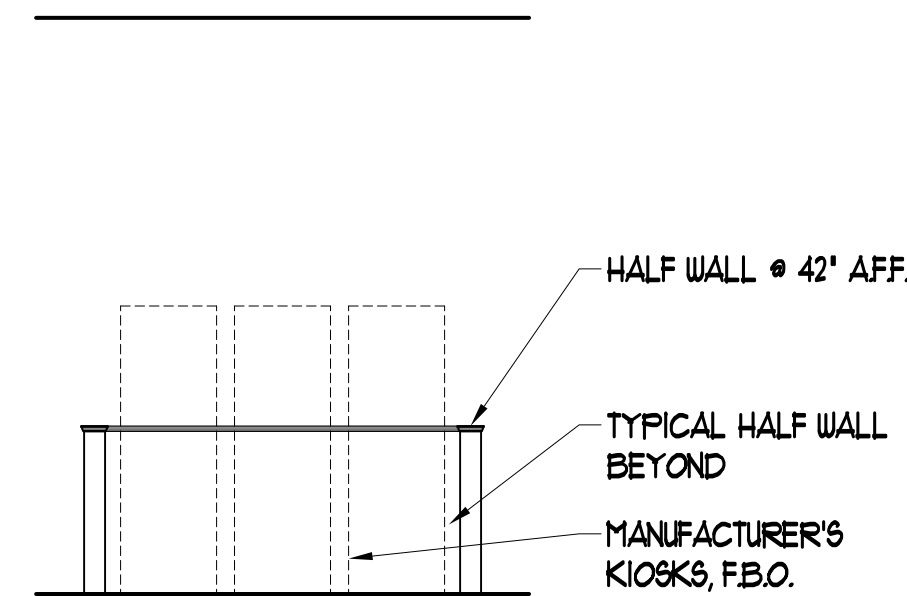
T-1	MANNINGTON NATURE'S PATHS SELECT PRINCETON CHERRY CINNAMON 12110
VCT-1	MANNINGTON ESSENTIALS #15 MINERAL GRAY
B-1	JOHNSONITE 4" VAPORIZE #282
FT-1	SHERWIN WILLIAMS - 8U6334 FLOWER POT
FT-2	SHERWIN WILLIAMS - 8U6661 AFTERGLOW
FT-3	SHERWIN WILLIAMS - 8U6665 GARDENIA
FT-4	SHERWIN WILLIAMS - 8U1066 GRAY MATTERS
SOLID SURF. 1 AVONITE - SAFFRON K3-8410	
SOLID SURF. 2 AVONITE - KOKOURA FI-911T	
FLAM PIONITE - AV911 SUEDE MOONLIGHTING PAPEL	

**FINISH SCHEDULE:**

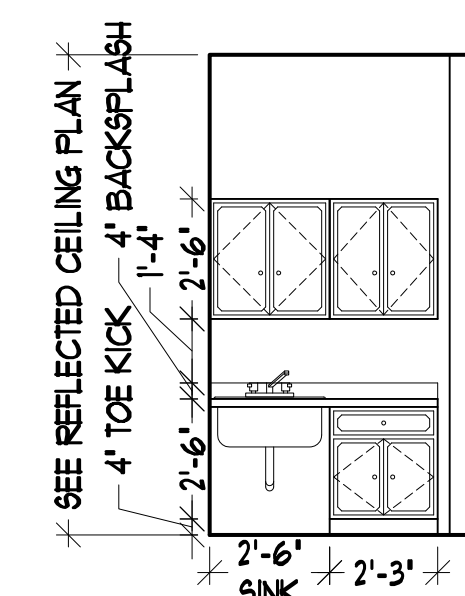
ROOM NUMBER	FLOOR	BASE	WALLS	CEILING	NOTES
101	T-1	B-1	PT-1/PT-2	PT-1/SAT	AVONITE COUNTERTOPS
102	VCT-1	B-2	PT-3	SAT	
103	VCT-1	B-2	PT-1/PT-3	SAT	
104	VCT-1	B-2	PT-1/PT-3	SAT	FLAM COUNTERTOPS
105	VCT-1	B-2	PT-3	SAT	
106	VCT-1	B-2	PT-3	SAT	FLAM COUNTERTOPS



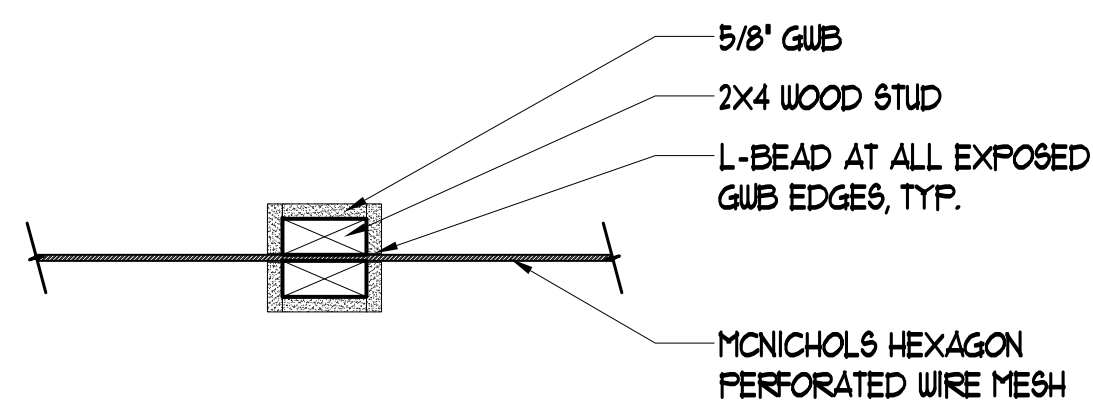
**12 ELEVATION AT ENTRY**  
SCALE: 1/4" = 1'-0"



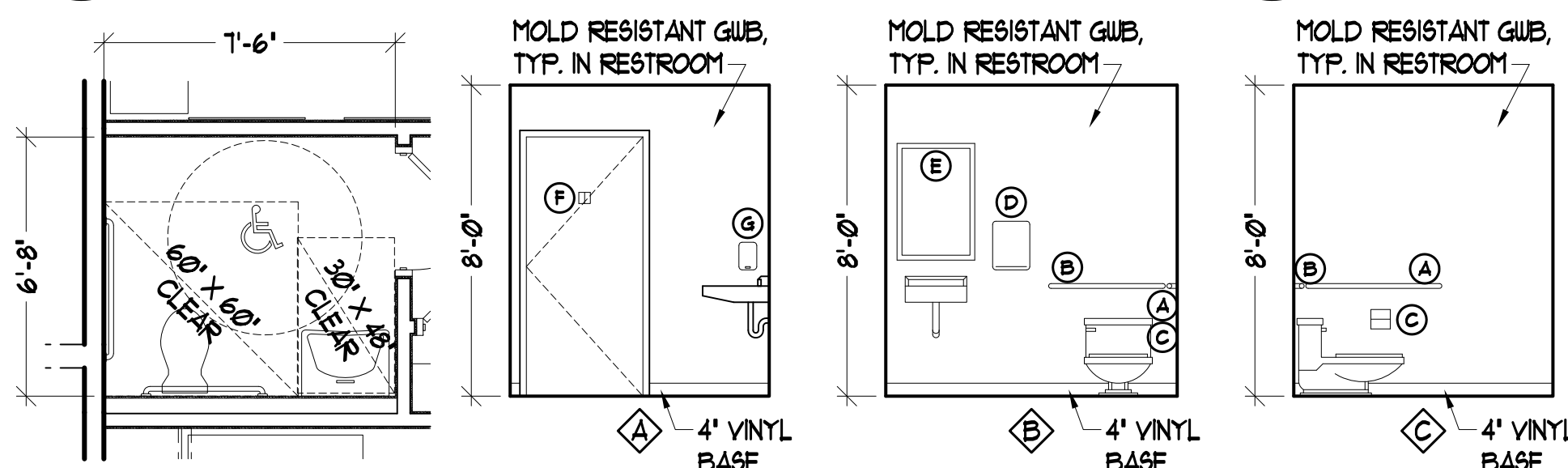
**13 ELEVATION AT HALF WALL**  
SCALE: 1/4" = 1'-0"



**14 ELEVATION AT PANTRY**  
SCALE: 1/4" = 1'-0"



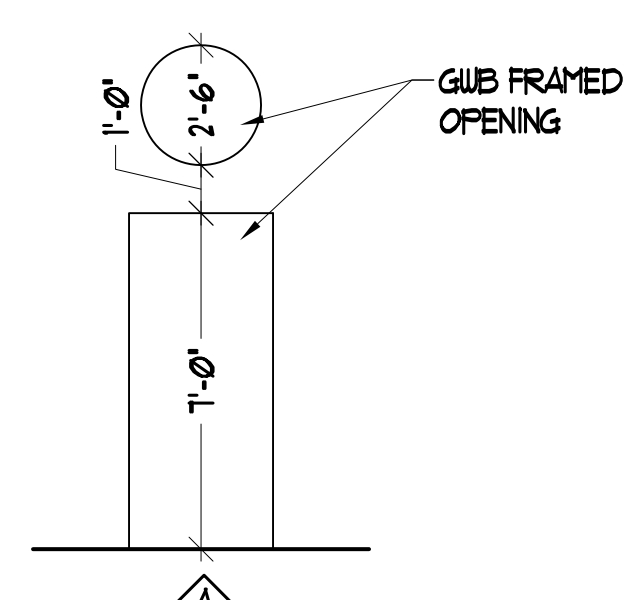
**22 TYPICAL COLUMN WITH MESH DETAIL**  
SCALE: 1 1/2" = 1'-0"



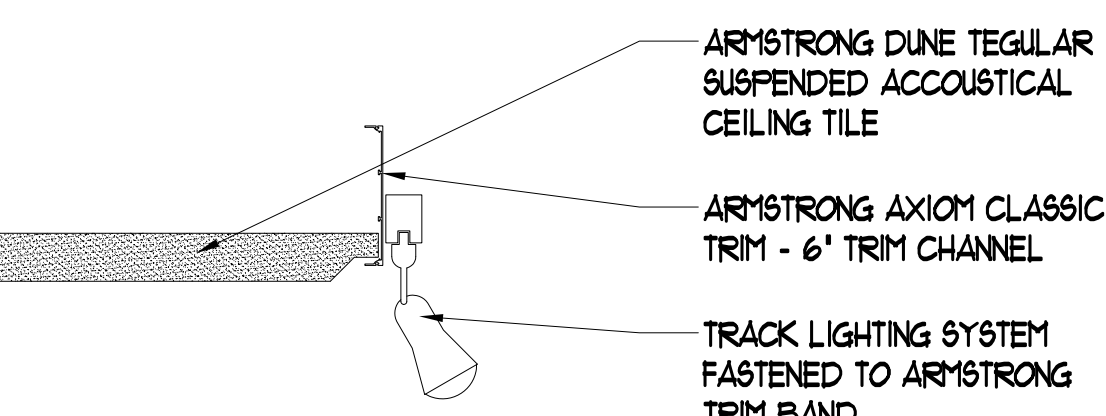
**11 RESTROOM ENLRGD. PLAN & ELEVATIONS**  
SCALE: 1/4" = 1'-0"

**BATHROOM ACCESSORIES SCHEDULE**

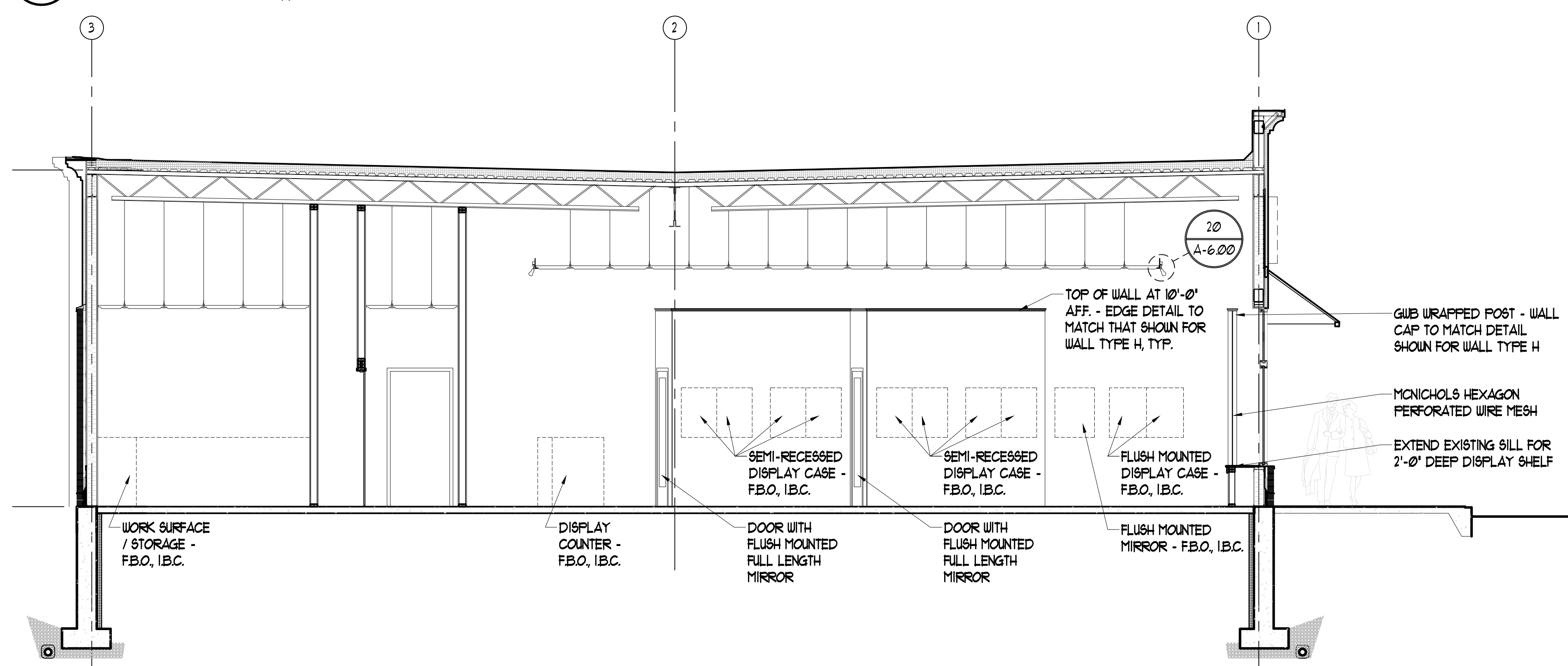
NUM	ITEM	MOUNTING HEIGHT	COMMENTS
(A)	3'-6" 1 1/2" DIA GRAB BAR	C @ 2'-10" AFF	-
(B)	3'-0" 1 1/2" DIA GRAB BAR	C @ 2'-10" AFF	-
(C)	TOILET PAPER DISPENSER	C @ 20" AFF	FBO / IBC
(D)	48" x 36" MIRROR	BOTTOM @ 40" AFF (MAX)	-
(E)	HOOK	TOP @ 54"	-
(F)	SOAP DISPENSER	BOTTOM @ 42" AFF	FBO / IBC
(G)	PAPER TOWEL DISPENSER	BOTTOM @ 40" AFF	FBO / IBC
(H)	66 SHELF	-	-
(J)	36" x 24" MIRROR	-	-
(K)	36" TOWEL BAR	-	-



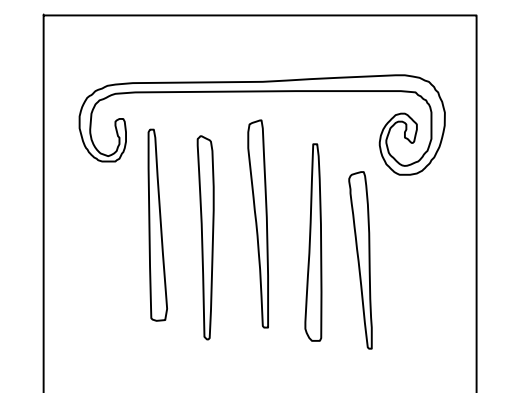
**21 ELEVATION AT OFFICE ENTRY**  
SCALE: 1/4" = 1'-0"



**20 TYPICAL FLOATING CEILING EDGE DETAIL**  
SCALE: 1 1/2" = 1'-0"



**10 BUILDING SECTION**  
SCALE: 1/4" = 1'-0"



**PORT CITY ARCHITECTURE**

65 NEWBURY STREET  
PORTLAND, ME 04101  
207.761.9000  
fax: 207.761.2010  
info@portcityarch.com

**VIP EYES**  
TENANT FIT-OUT  
PINE TREE SHOPPING CENTER  
PORTLAND, ME

DATE	DESCRIPTION
REVISIONS	
Date Issued	MARCH 13, 2010
Project Number	10201
Drawing Scale	AS NOTED
SHEET NAME	
BUILDING SECTION AND ELEVATIONS	
Drawn By	
Checked By	A-6.00