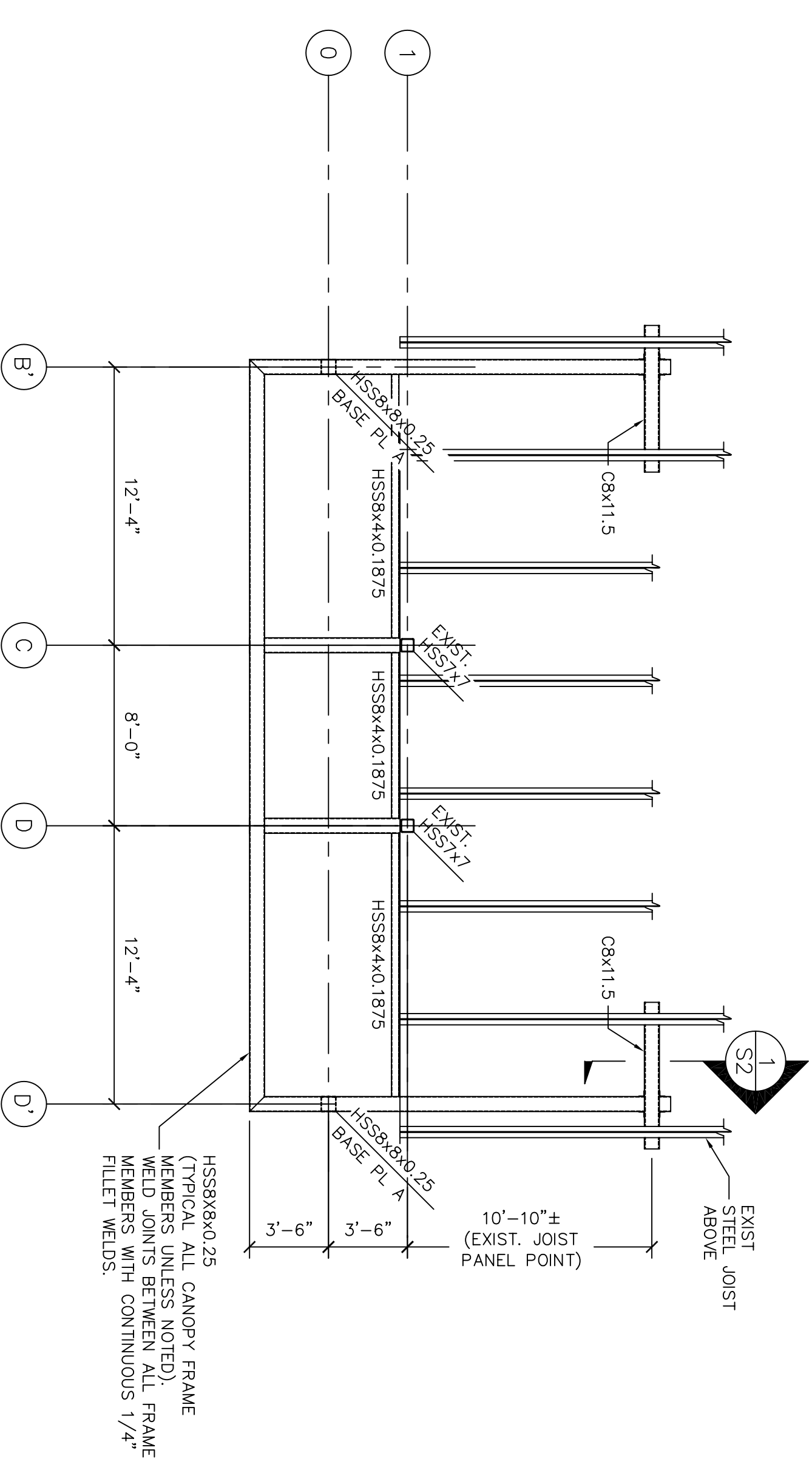
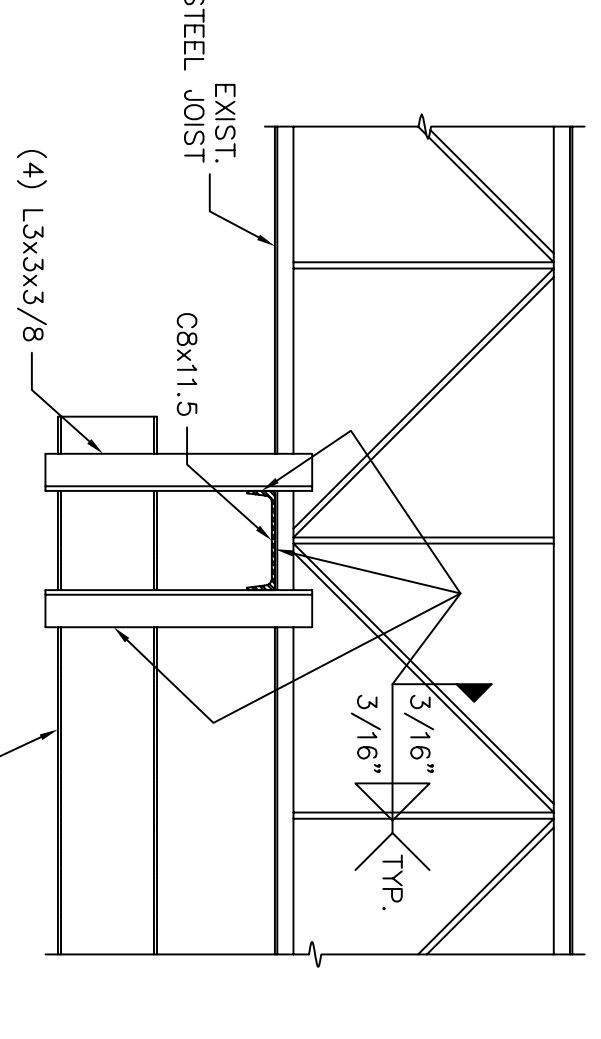


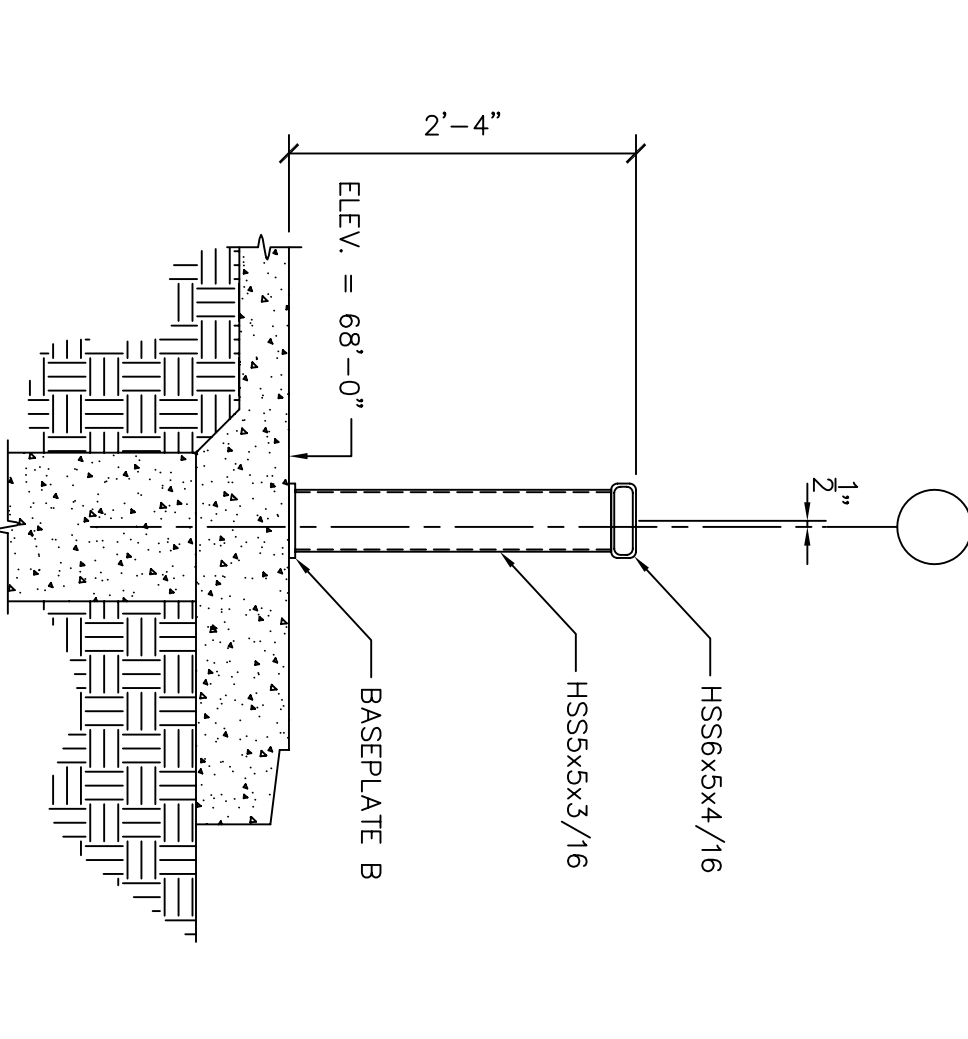
CANOPY FOUNDATION PLAN
 3/16"=1'-0"
 ALL FROST WALLS ARE 8" THICK WITH (2) #5 TOP.
 ALL FOOTINGS ARE 10" THICKx20" WIDE WITH (2) #5 CONT.
 BOTTOM OF FOOTING ELEV = 4'-0" BELOW FINISHED GRADE.
 CAST 6" APRON SLAB AND SLAB-ON GRADE OVER FROST WALLS AND COLUMN PERS.



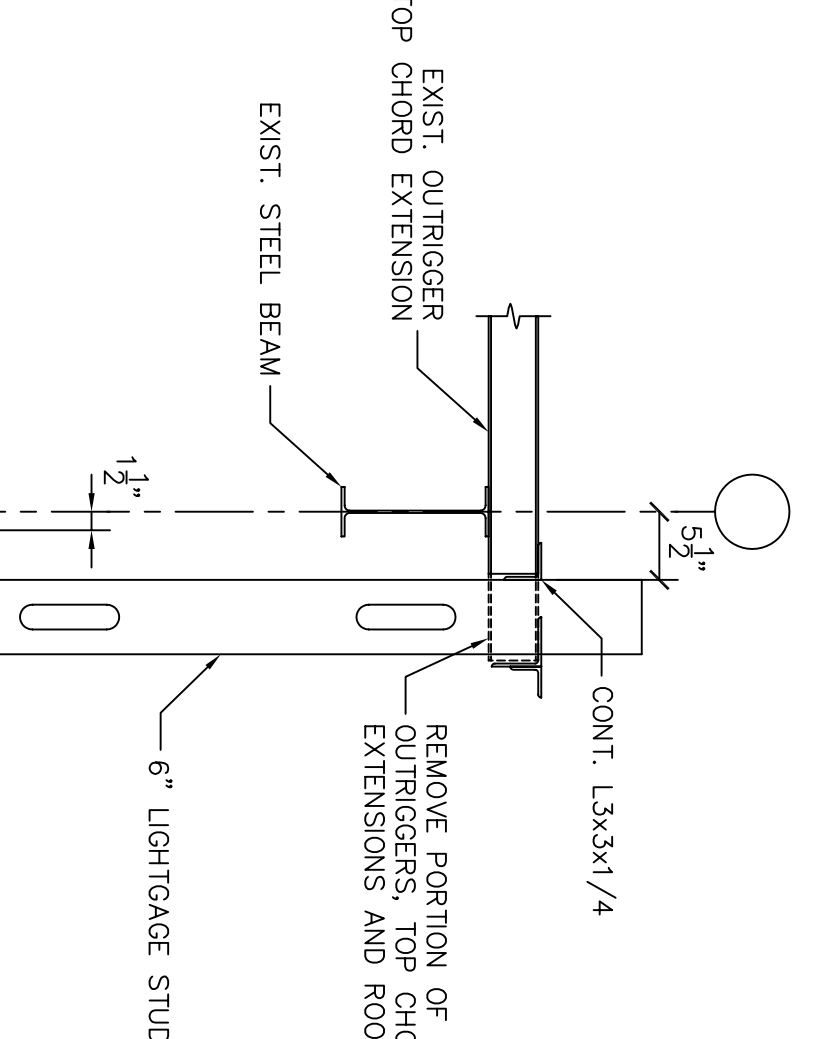
CANOPY FRAMING PLAN
 3/16"=1'-0"



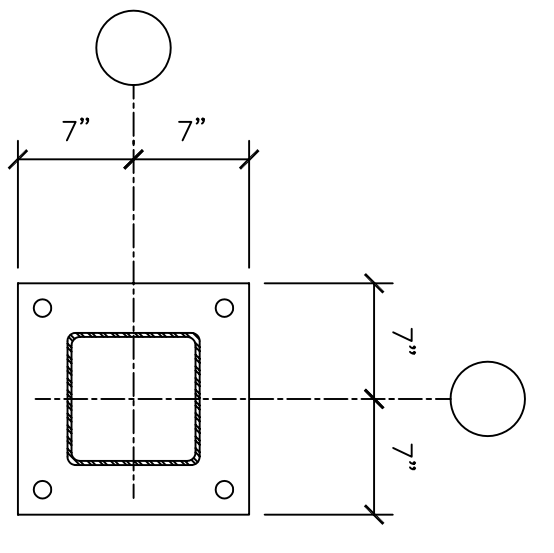
SECTION 1
 3/4"=1'-0" S2



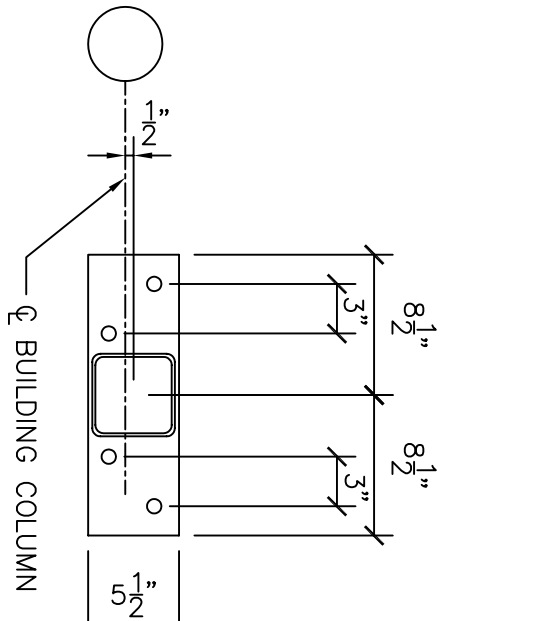
SECTION 2
 3/4"=1'-0" S2



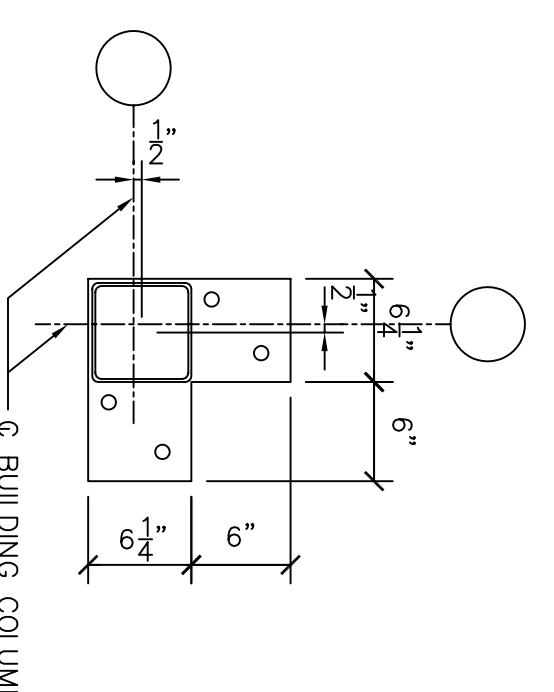
SECTION 3
 3/4"=1'-0" S2



BASE PLATE A
 1"=1'-0"



BASE PLATE B
 1"=1'-0"



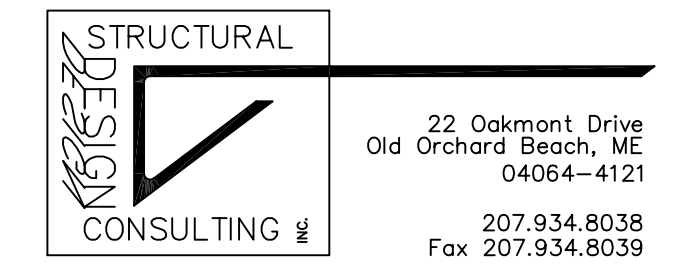
BASE PLATE C
 1"=1'-0"

PLATE THICKNESS = 3/4"
 HOLE DIAMETER = 1 1/16"
 HOLE EDGE DISTANCE = 1 1/2"
 ANCHOR RODS ARE 3/4" Ø
 THREADED RODS WITH 3" HOOK AND 12' EMBEDMENT.

PLATE THICKNESS = 1/2"
 HOLE DIAMETER = 7/8"
 HOLE EDGE DISTANCE = 1 1/2"
 ANCHOR RODS ARE 3/4" Ø
 THREADED RODS IN EPOXY-FILLED HOLES WITH 6" EMBEDMENT.

PLATE THICKNESS = 1/2"
 HOLE DIAMETER = 7/8"
 HOLE EDGE DISTANCE = 1 1/2"
 ANCHOR RODS ARE 3/4" Ø
 THREADED RODS IN EPOXY-FILLED HOLES WITH 6" EMBEDMENT.

STOREFRONT LOWER SUPPORT PLAN
 1/8"=1'-0"



22 Oakmont Drive
 Old Orchard Beach, ME
 04064-4121
 207.934.8038
 Fax 207.934.8039

QUIRK CHEVROLET
 OF PORTLAND
 1000 BRIGHTON AVE
 PORTLAND, MAINE

revision number	date	description
10/20/06	DESCRIPTION	

Foundation Plan Framing Plans and Details

S1