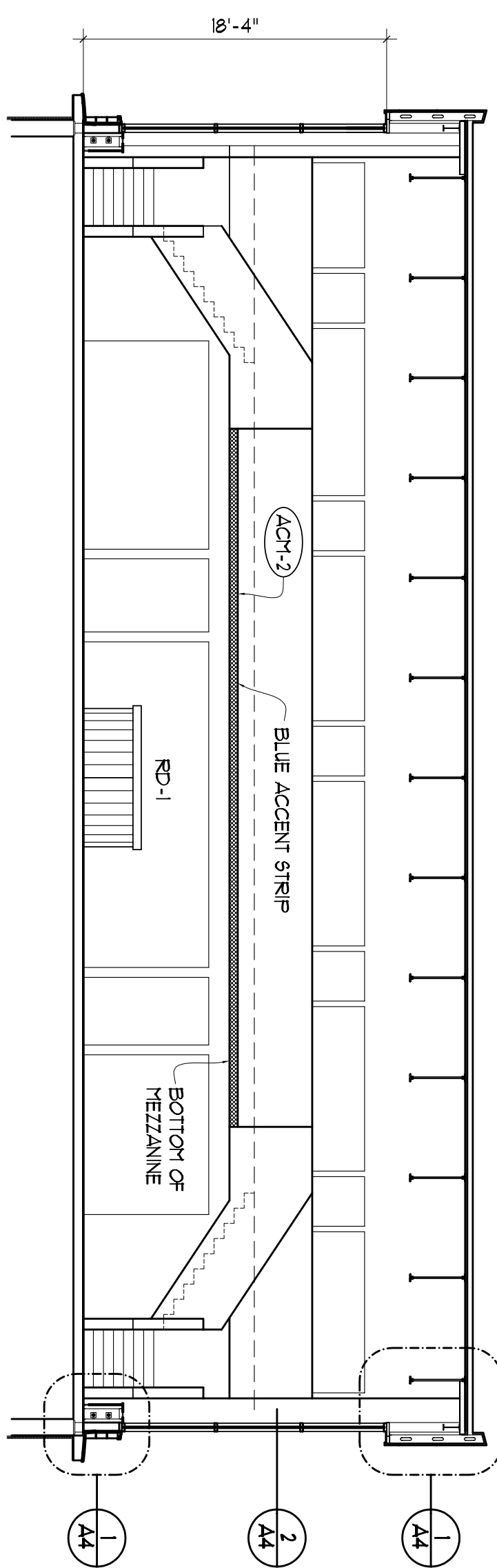
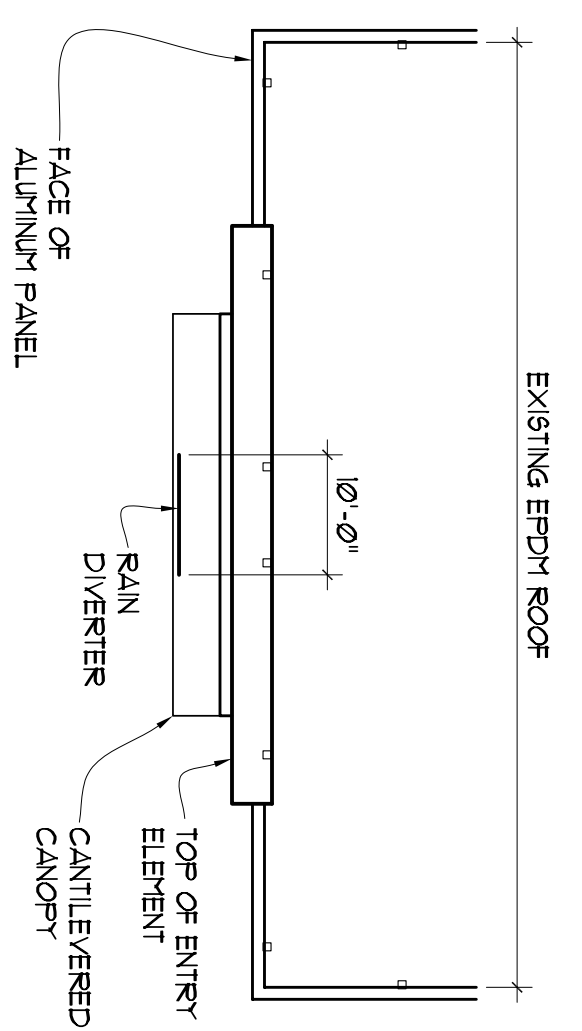


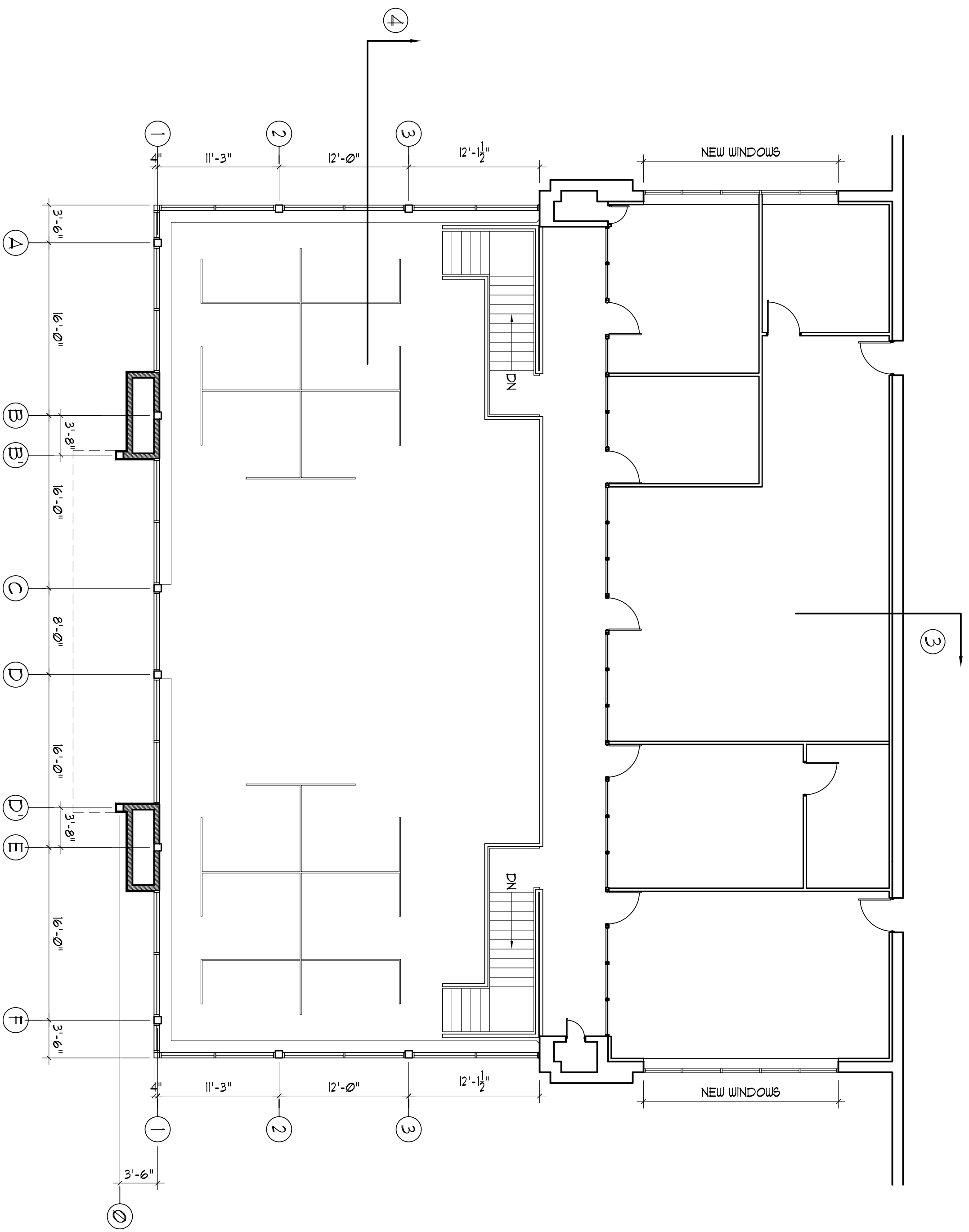
3 BUILDING SECTION
1/8" = 1'-0"



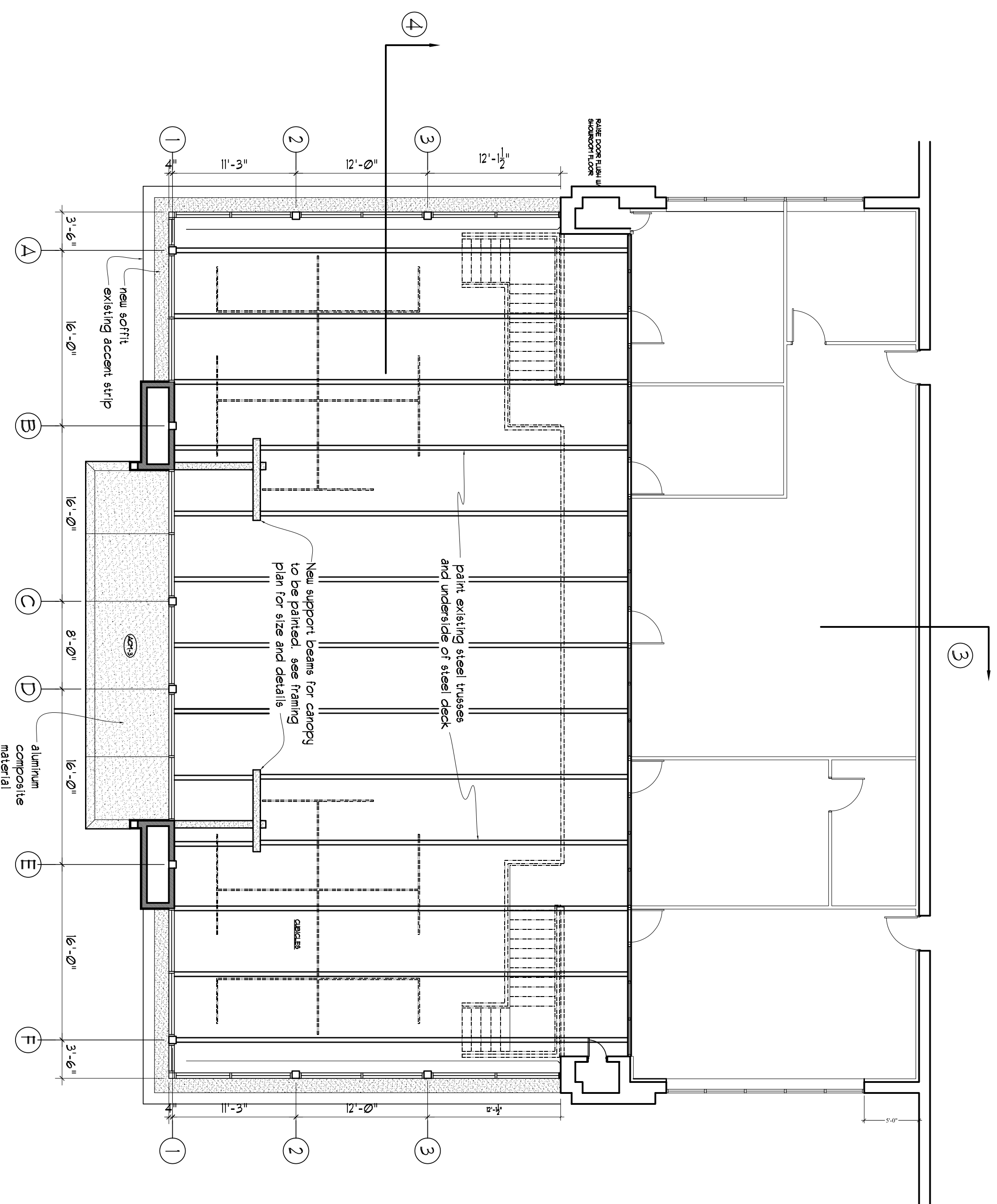
4 BUILDING SECTION
1/8" = 1'-0"



5 PARTIAL ROOF PLAN
1/8" = 1'-0"



1 2ND FLOOR PLAN
1/8" = 1'-0"



2 REFLECTED CEILING PLAN
1/8" = 1'-0"