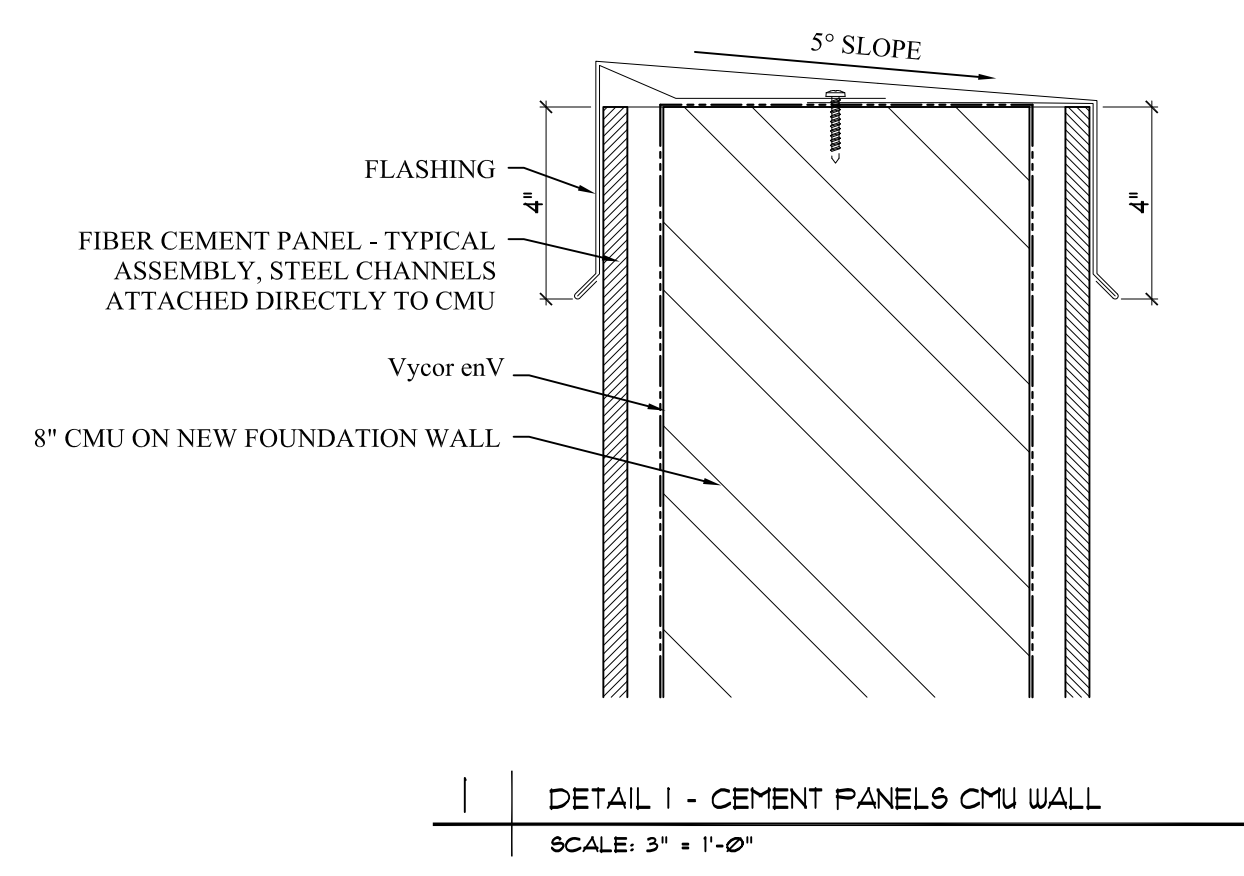
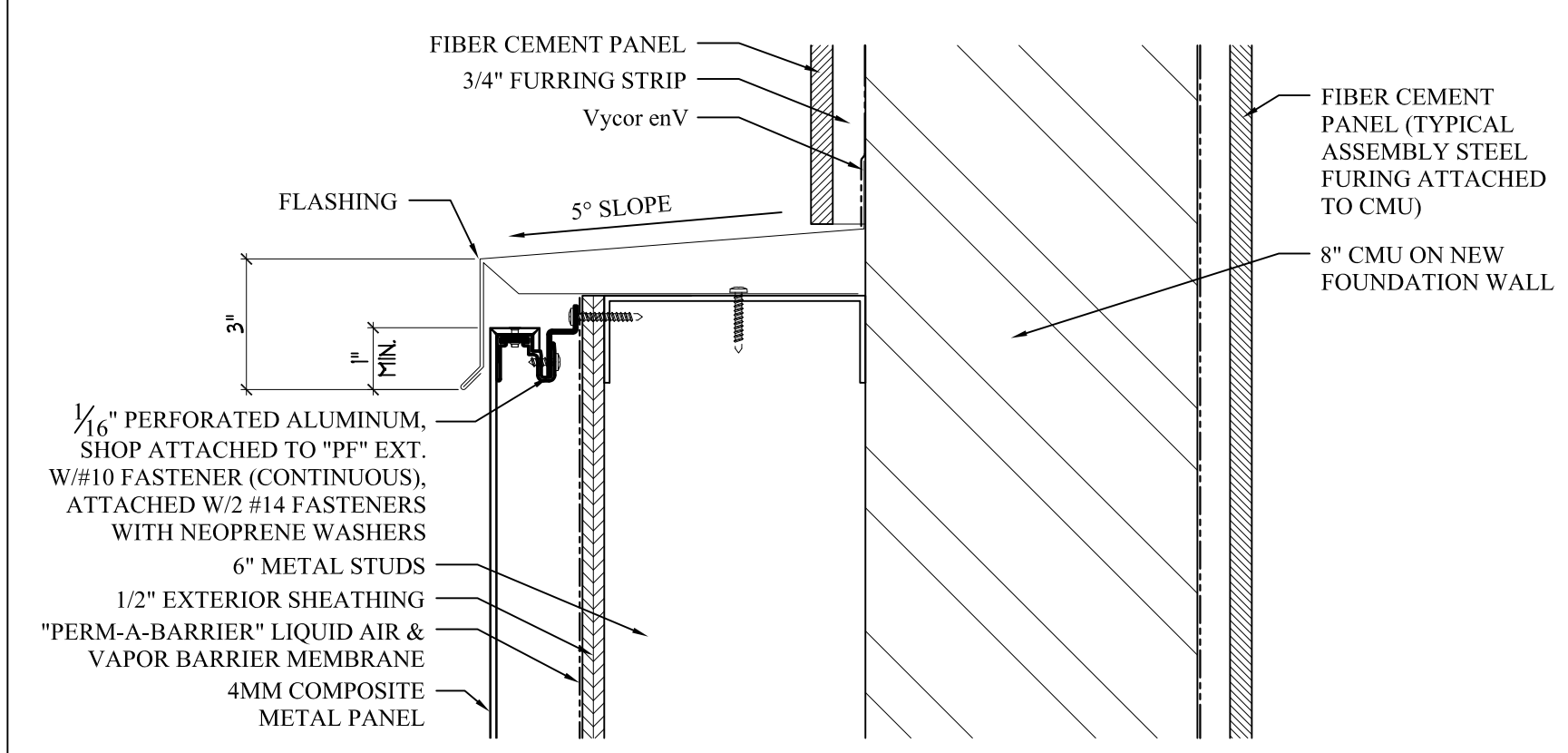


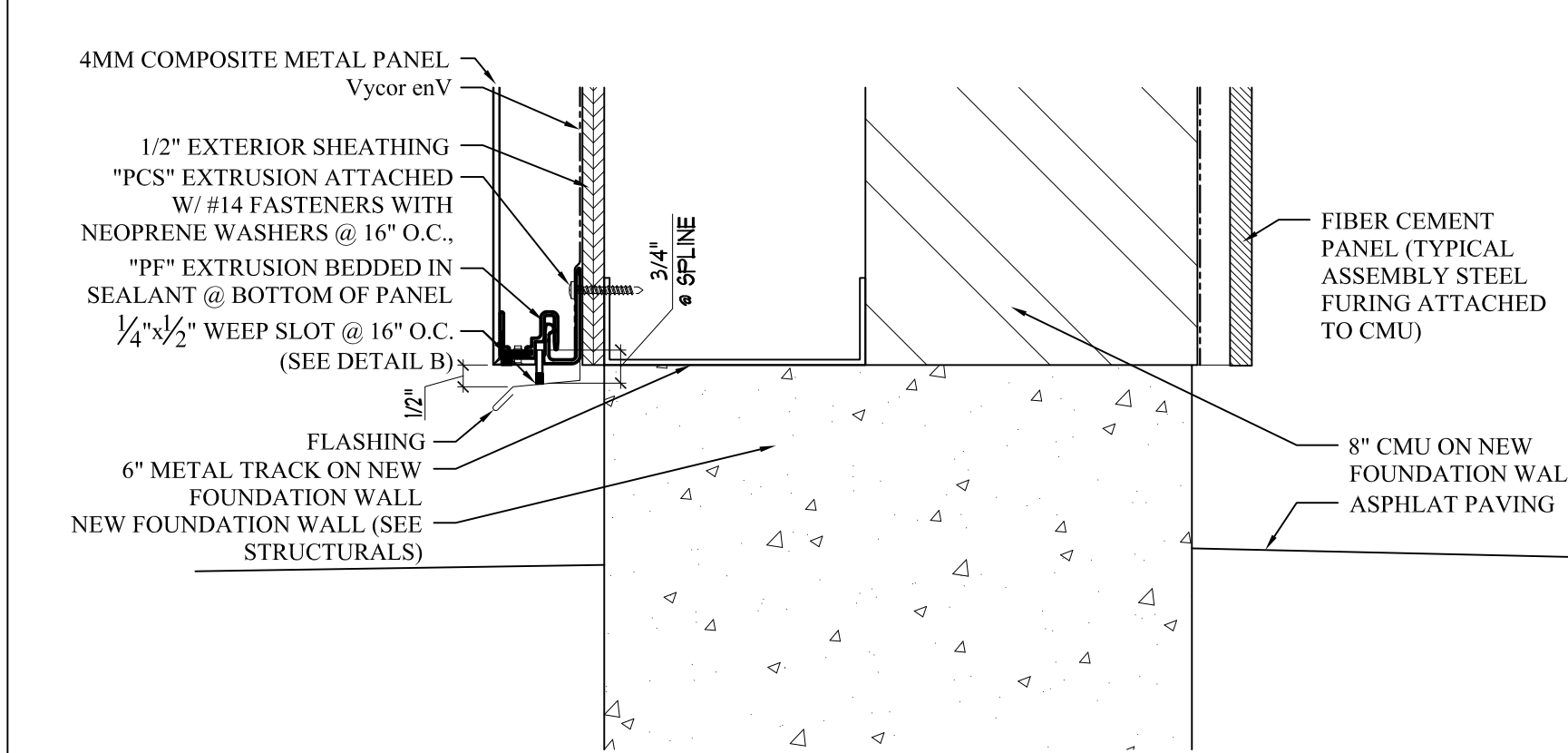
GENERAL NOTES:
 - ALL NEW INFILL TO BE LIGHT GAUGE METAL FRAMING
 - ALL EXISTING WOOD INFILL FRAMING TO HAVE ONE LAYER OF 5/8" TYPE "X" GYP BOARD ON INTERIOR SIDE



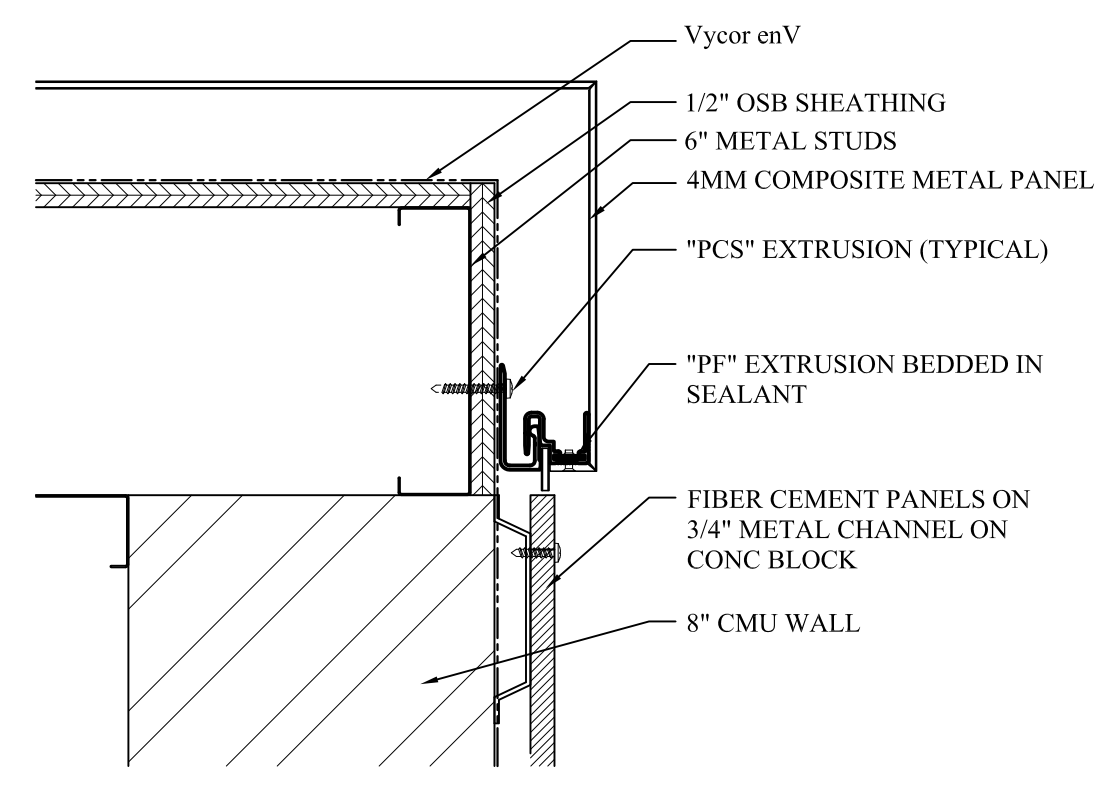
DETAIL I - CEMENT PANELS CMU WALL
 SCALE: 3" = 1'-0"



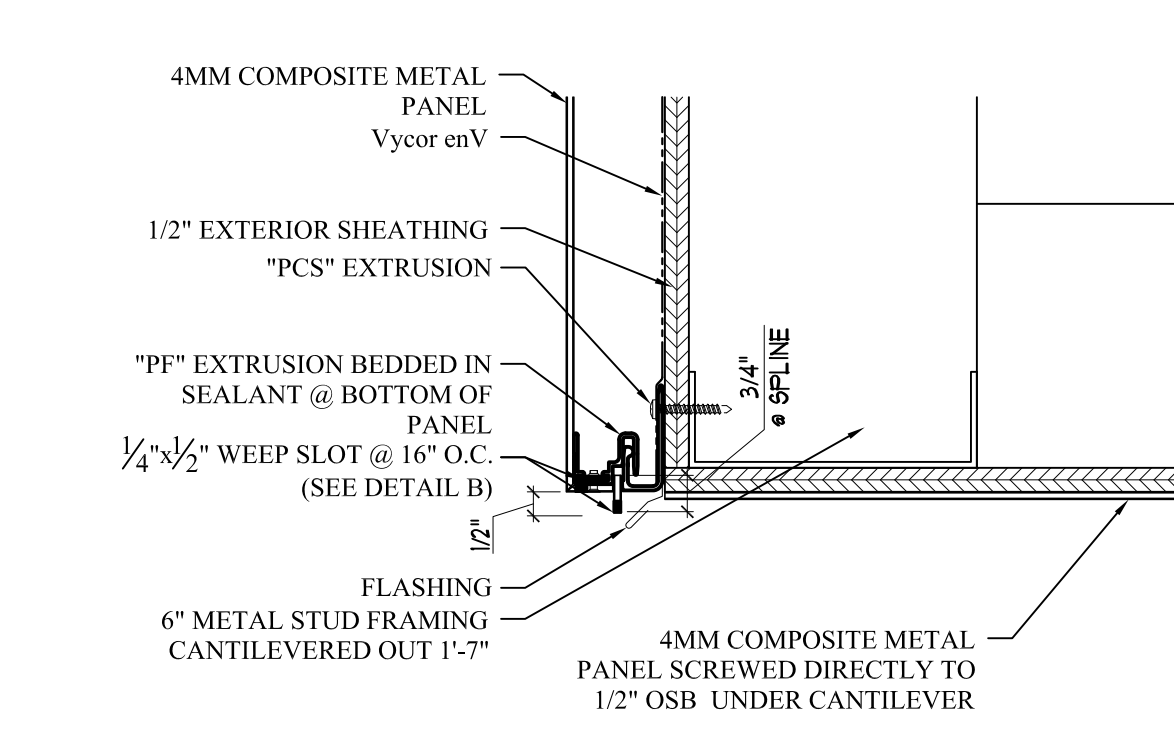
DETAIL J - ALUMINUM PANELS CHANGING TO CEMENT PANELS ON CMU WALL
 SCALE: 3" = 1'-0"



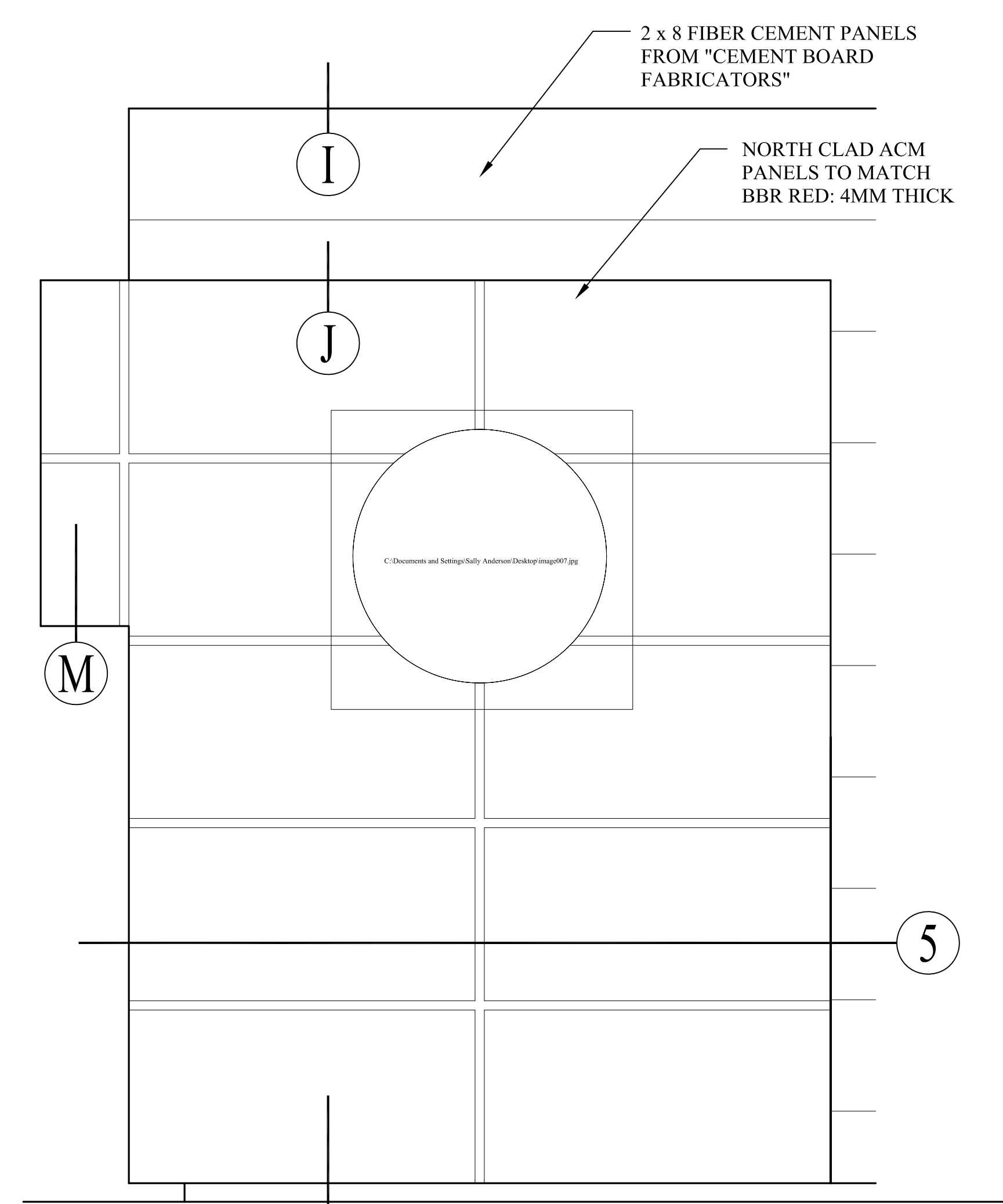
DETAIL K - NEW WING WALL AT FOUNDATION
 SCALE: 3" = 1'-0"



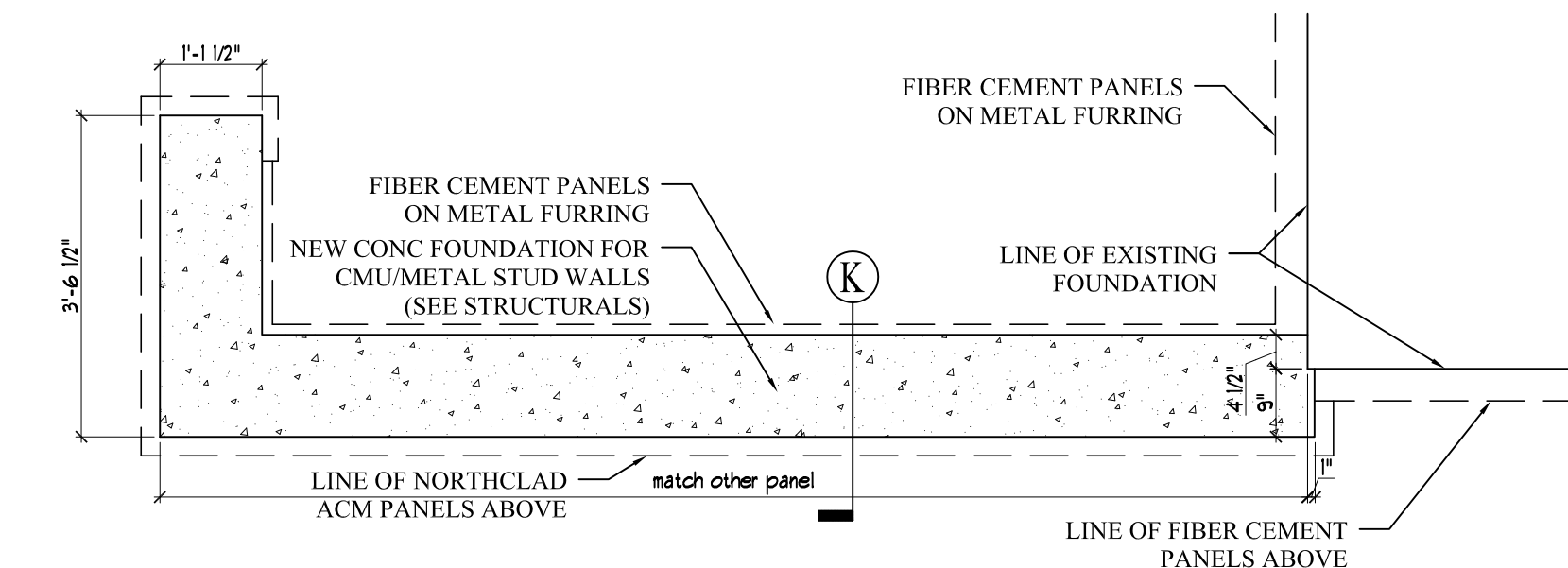
DETAIL L - VERTICAL CEMENT/ALUMINUM SIDING JOINT
 SCALE: 3" = 1'-0"



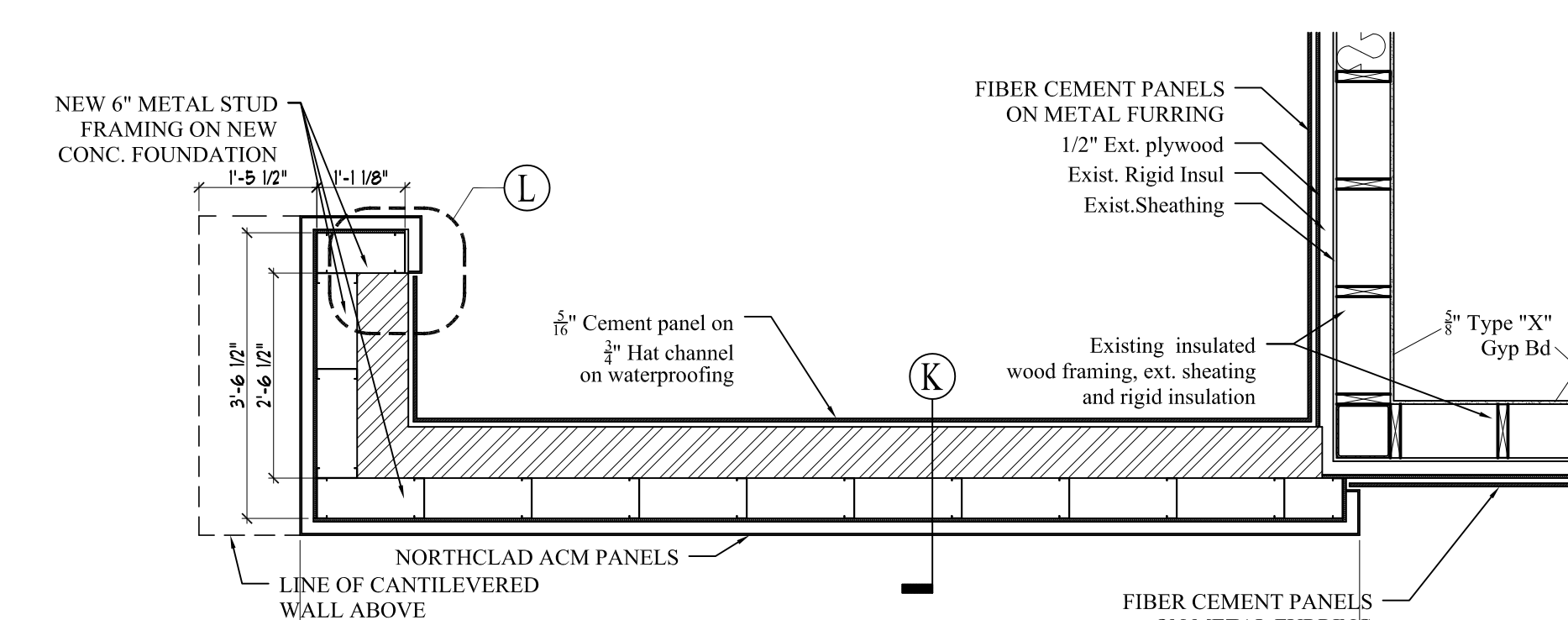
DETAIL M - ALUMINUM SIDING AT CANTILEVER
 SCALE: 3" = 1'-0"




7 ELEVATION OF ALUMINUM PANEL CLAD WING WALL
 SCALE: 1/2" = 1'-0"



6 NEW FOUNDATION AT ALUMINUM PANEL CLAD WING WALL
 SCALE: 1/2" = 1'-0"



5 PLAN OF ALUMINUM PANEL CLAD WING WALL
 SCALE: 1/2" = 1'-0"

Prepared For:	FIAT OF PORTLAND	1000 BRIGHTON AVE. PORTLAND, MAINE
Consulting Engineer:	 48 Union Wharf Portland, Maine 04101 (207) 772-6022 Fax (207) 772-4056	
Project:	FIAT SHOWROOM	4 RAND ROAD PORTLAND, MAINE
Revisions:	1-26-11 General revision	
Date:	10 January 2011	
Scale:	AS NOTED	
WALL SECTIONS		
A3.02		